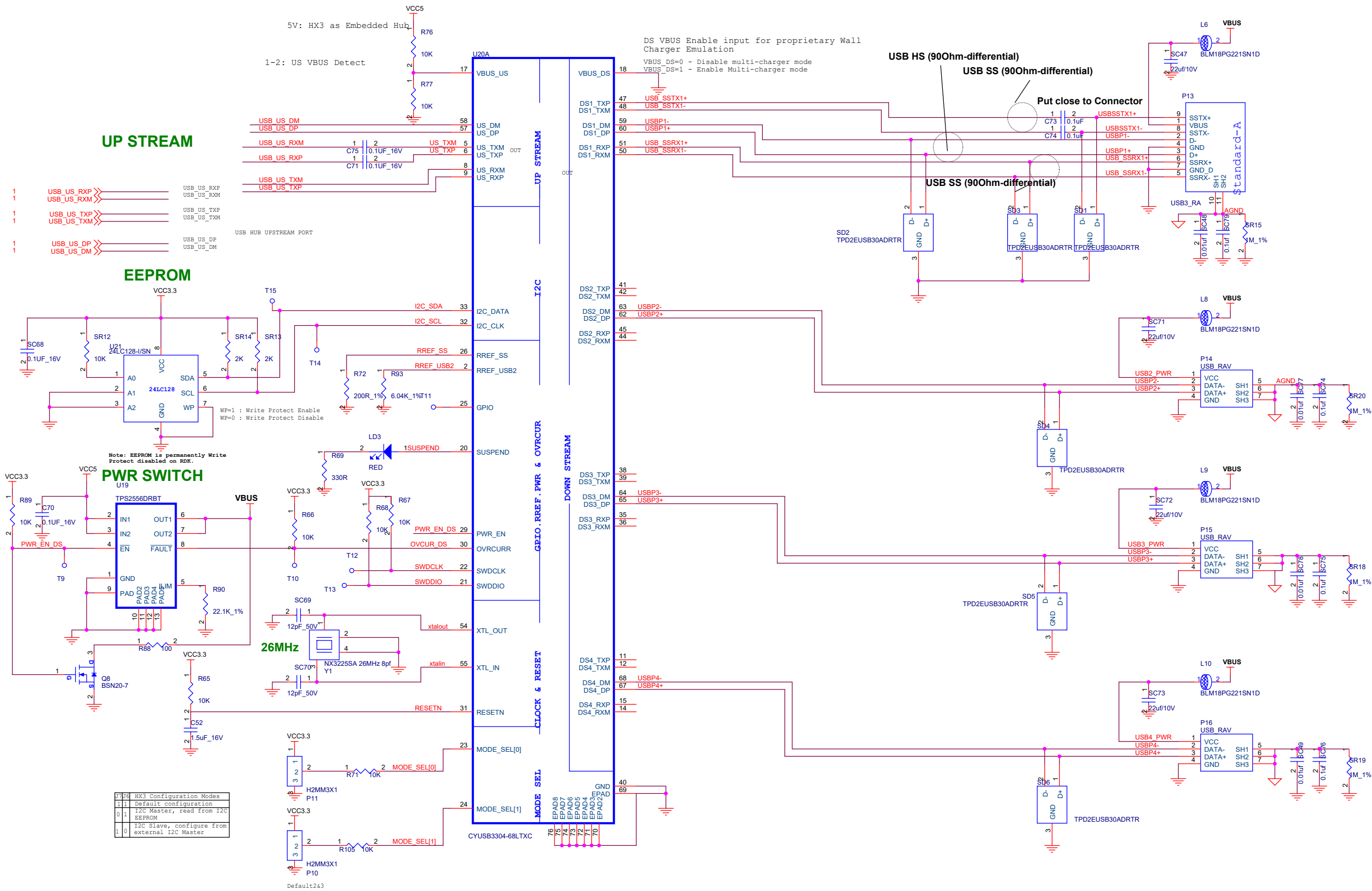


CYUSB3304-68LTXC-DEVICE CONNECTION



Mode	Configuration
1	Default configuration
0	I2C Master, read from I2C EEPROM
1	I2C Slave, configure from external I2C Master

Note:
Connect the HX3 EPAD to GND through the via stitches.

Rev.B Update:
Swap P11 to Match P10

OGMS5100 SCHEMATICS			
Size	CAGE Code	DWG NO	Rev
C	0P771	925-01-000-0210	B
Scale	Thursday, August 15, 2019		Sheet 13 of 14