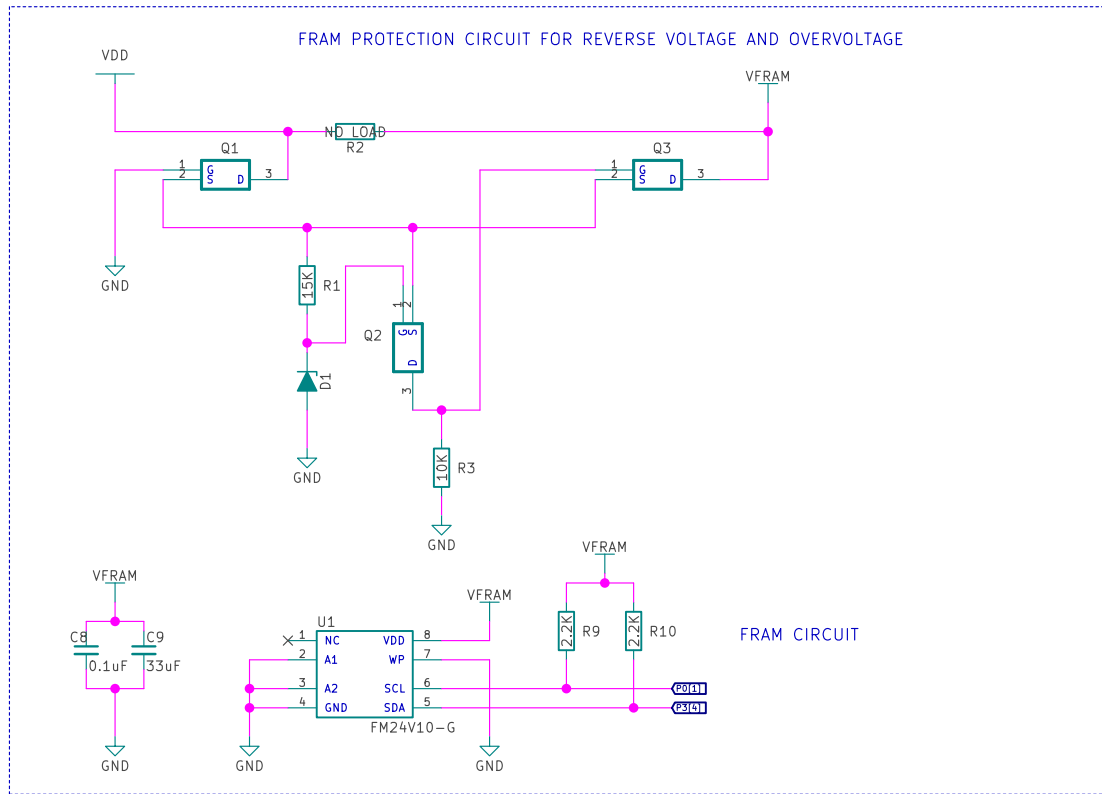


POWER REGULATION CIRCUIT



FRAM CIRCUIT

CIRCUIT SCHEMATIC SECTIONS:

SHEET-1

POWER INPUT AND VOLTAGE REGULATION
LED FOR POWER ON INDICATION

FRAM MEMORY CIRCUIT
PROTECTION CIRCUIT FOR OVERVOLTAGE AND REVERSE VOLTAGE

SHEET-2

PROGRAMMING HEADER

LEDS INDICATION

RESET BUTTON

BOOTLOAD ACTIVATION BUTTON

POWER BUS TO BLUETOOTH MCU

BLUETOOTH RADIO MODULE I/O

OUTPUT PORT

CYBLE-214009-00 PIN ASSIGNMENT

<PORT><PAD> <FUNCTION>

P0[1]-5	FRAM I2C SCL
P3[4]-21	FRAM I2C SDA
P0[4]-9	SPI MOSI
P0[7]-6	SPI SCLK----SWD CLK
P0[6]-11	SPI SS0----SWD DATA
P2[3]-19	GREEN LED
P2[6]-14	RED LED
P3[7]-23	BLUE LED
P1[3]-15	BOOTLOADING BUTTON
XRES-29	RESET BUTTON----SWD XRES
VDDD-7	VDDD
VDDR-13	VDDR
VDDA-20	VDDA
GND1-1	GND
GND2-32	GND

Fausto Bini

Sheet: /
File: IRIS-2801.sch

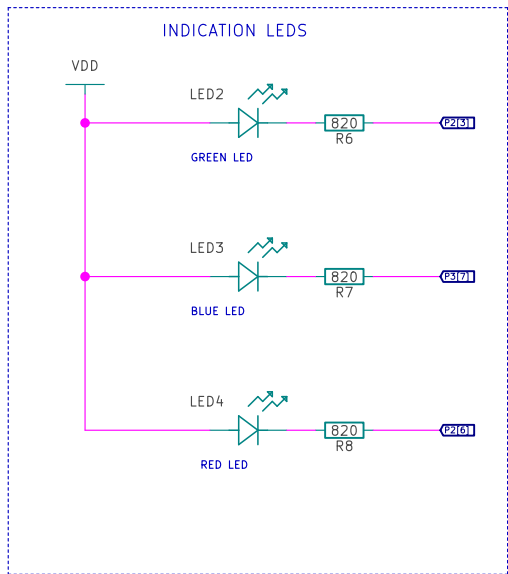
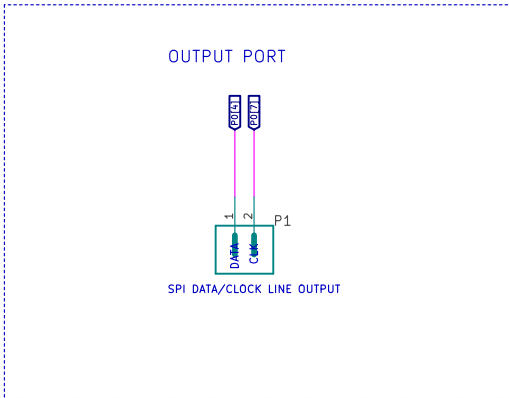
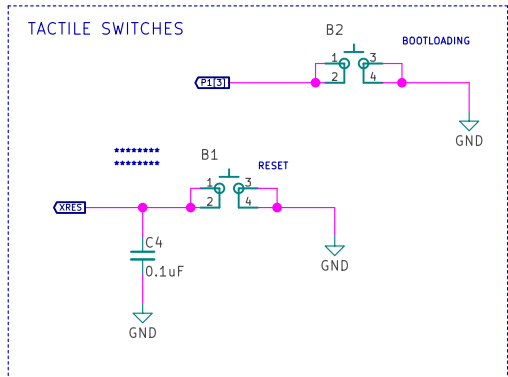
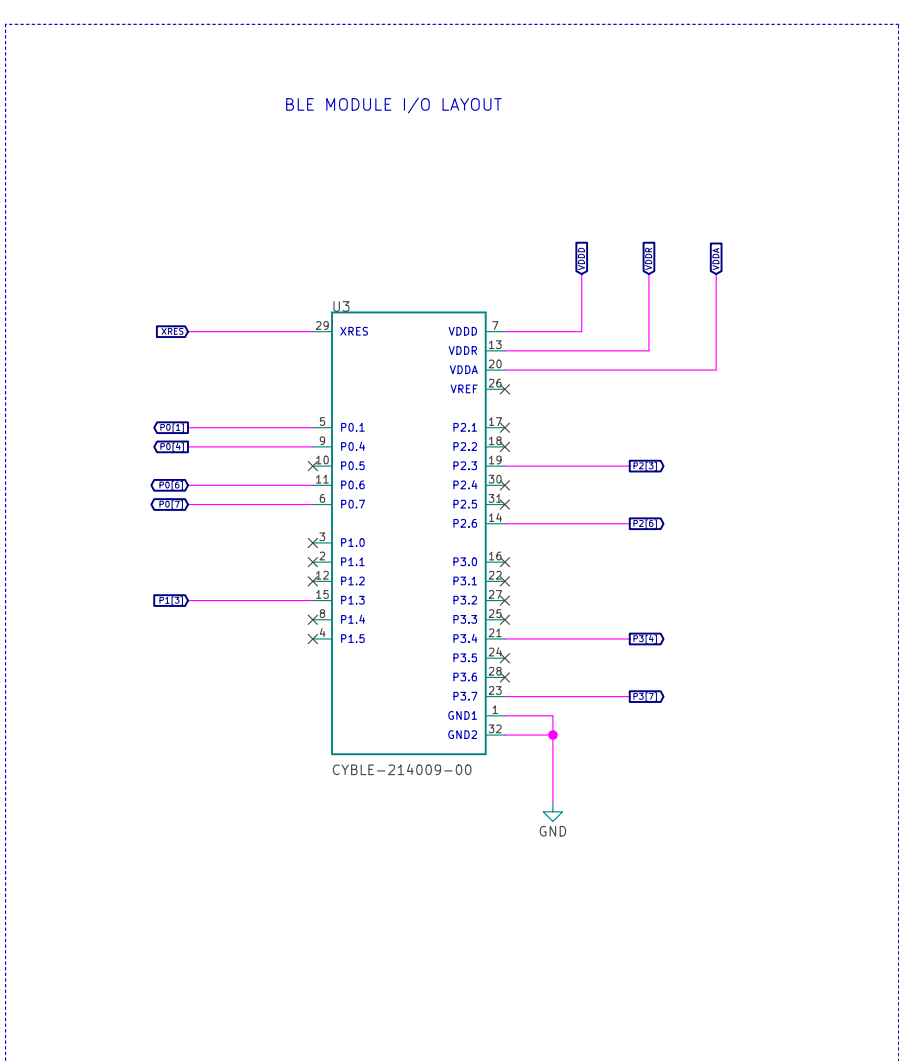
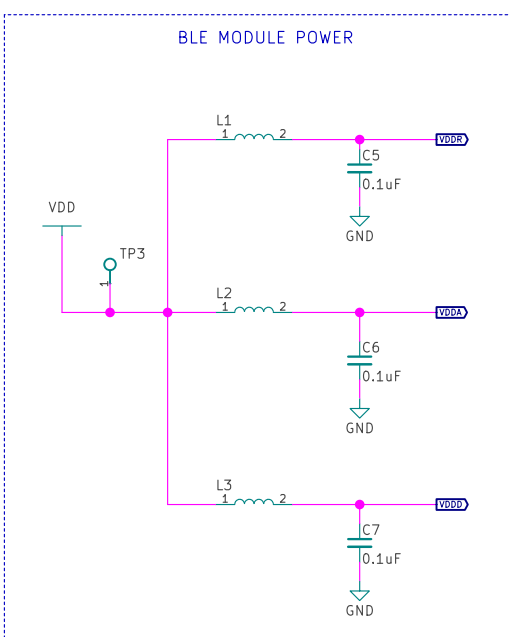
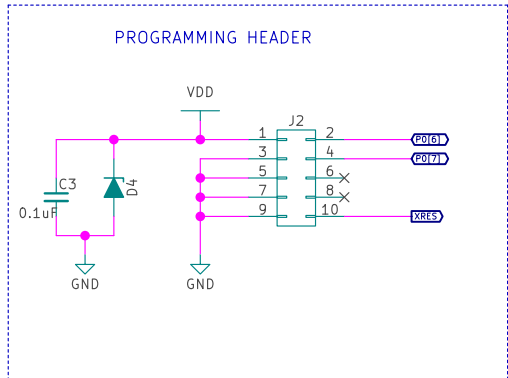
Title: sheet1

Size: A4 Date: 2018-01-12

KiCad E.D.A. kicad 4.0.6

Rev: Draft 01

Id: 1/2



****NOTE****

XRES CONNECTION
 Do not connect an external pull-up resistor.
 An external pull-up resistor will fall in parallel to the internal pull-up resistor.
 Can connect a small cap of 0.1 µF on the XRES line to filter any glitches on XRES.