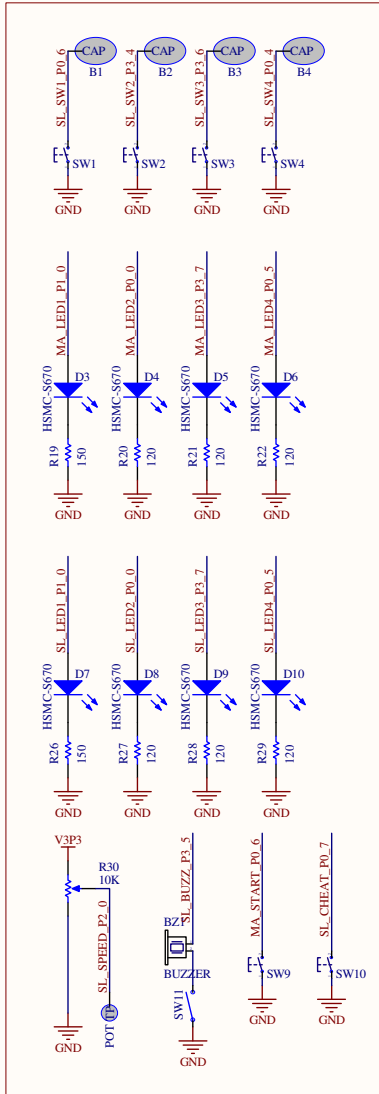
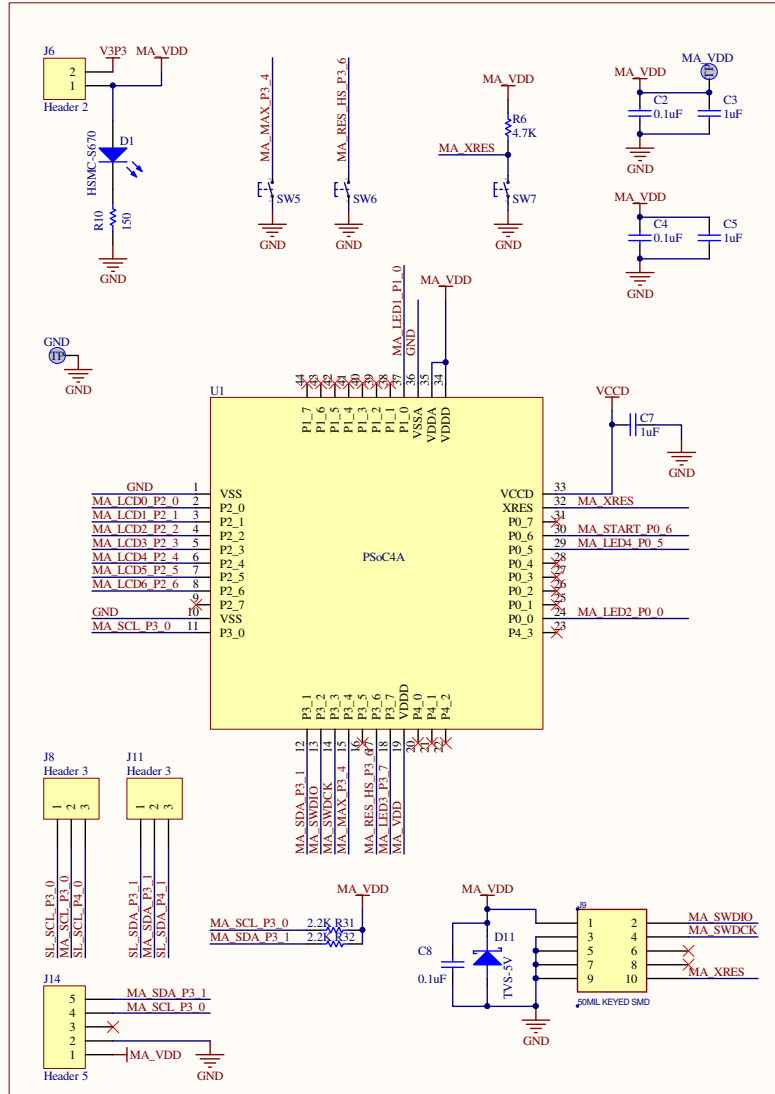


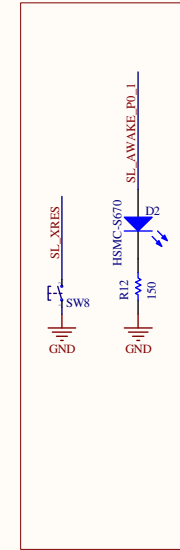
### GAME PLAY



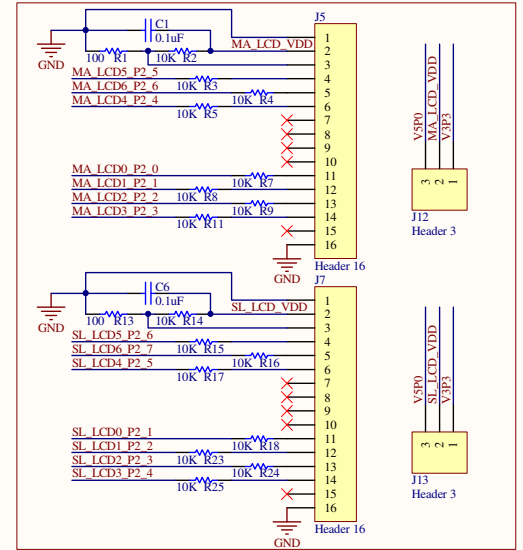
### MASTER PSOC4



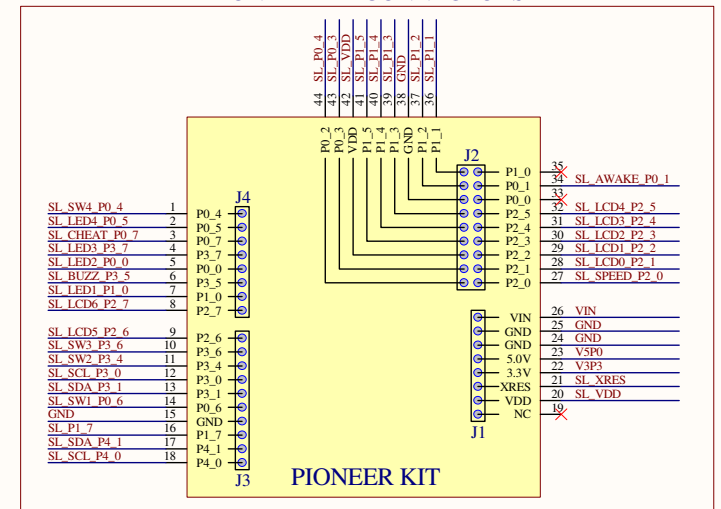
### SLAVE PSOC4



### MASTER AND SLAVE LCD



### PIONEER KIT CONNECTORS



Title <b>PSOC4 SIMON SHIELD BOARD</b>		
Size B	Number N/A	Revision REV03
Date: 12/10/2013	Sheet of 1/1	Drawn By: SRVS
File: C:\myWork\ARHSimon\Altium\SIMON_S... .sch		