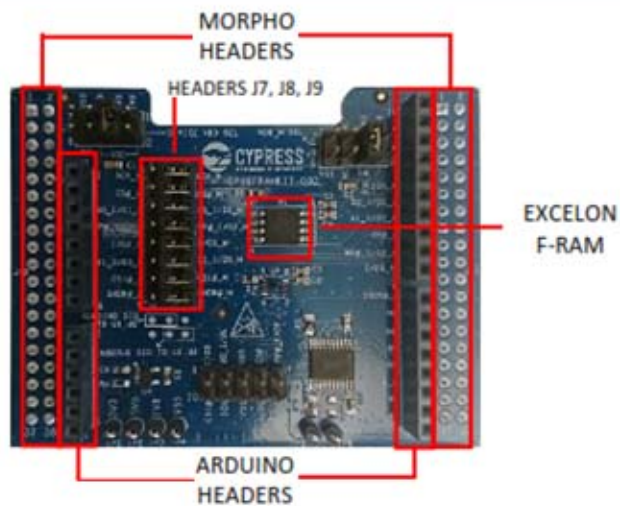




CY15FRAMKIT-002 Excelon™ F-RAM DEVELOPMENT KIT



CY15FRAMKIT-002 Features:

- Excelon 108MHz QSPI F-RAM
- ST NUCLEO-433LC-P compatible Morpho headers (J11, J12)
- Arduino Compatible I/O Header (J1, J2, J3, J4)
- Headers (J7, J8, J9) to select Arduino or Morpho connector signal connectivity to F-RAM device
- J6 header for 3.3-V/5.0-V F-RAM device VCC power supply selection
- J5 header for 1.8-V/3.3-V/5.0-V ST controller VCC power supply

CY15FRAMKIT-002 Excelon™ F-RAM DEVELOPMENT KIT

This kit incorporates the CY15B104QSN-108SXI, 108-MHz 4-Mbit Quad SPI Excelon™ FRAM. It is intended for use with the ST NUCLEO-433LC-P board or an Arduino UNO R3 board



CY15FRAMKIT-002 kit
with
ST NUCLEO-433LC-P Board

Download the kit user guide and driver/ hardware files from:

www.cypress.com/go/CY15FRAMKIT-002

© 2018 Cypress Semiconductor Corporation

All rights reserved. All trademarks or registered trademarks referenced herein are the properties of their respective owners.

