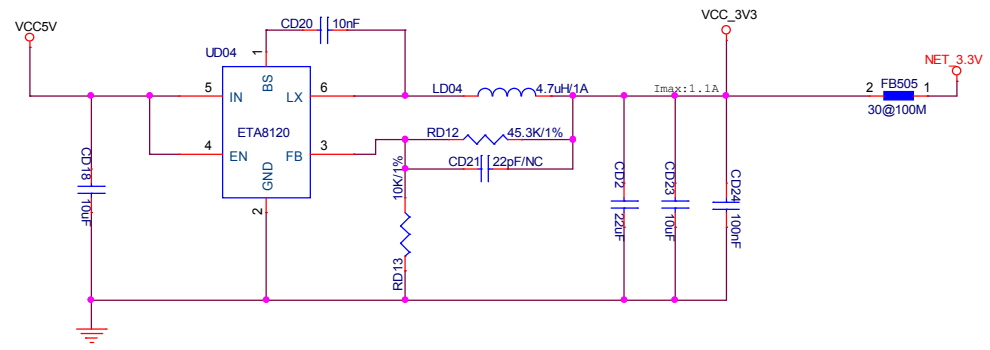
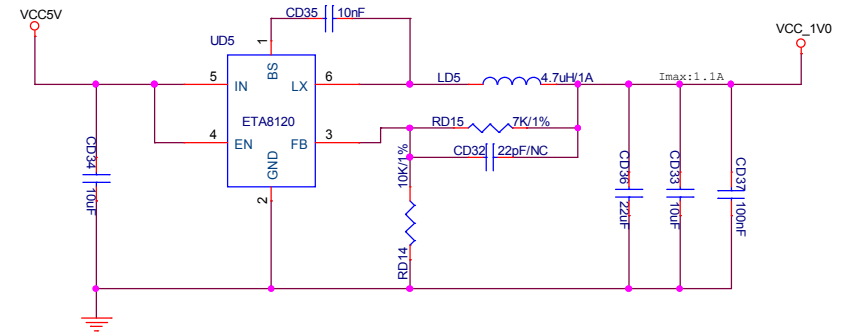
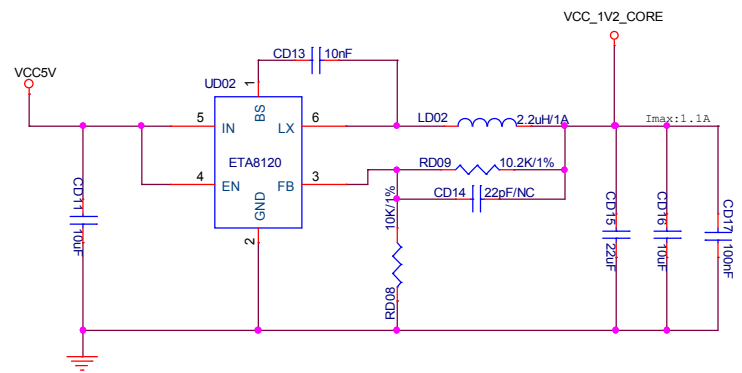
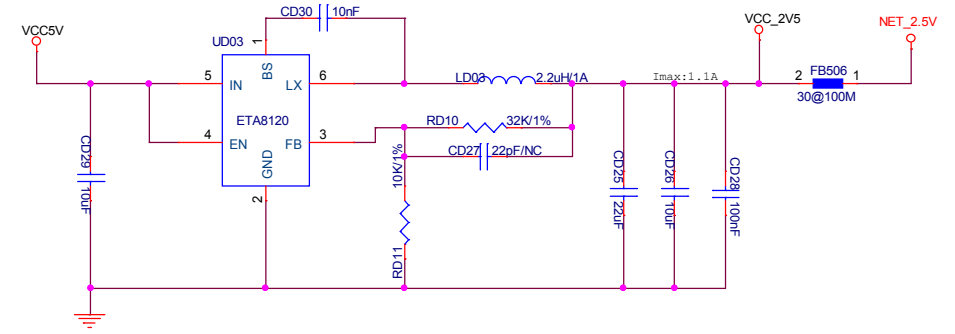
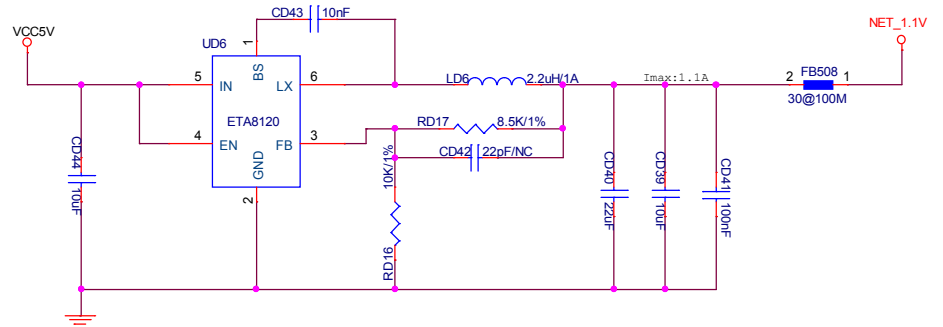
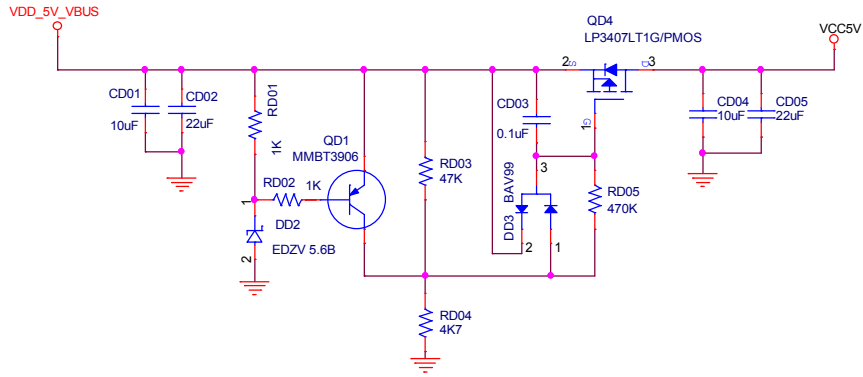
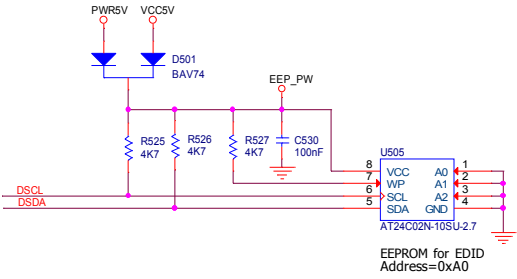
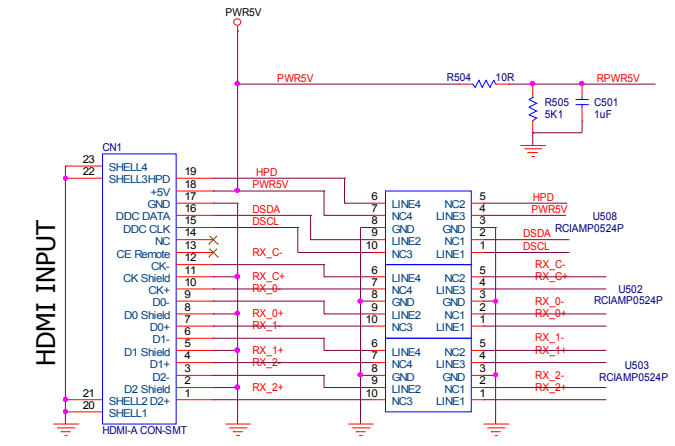


01 - Power

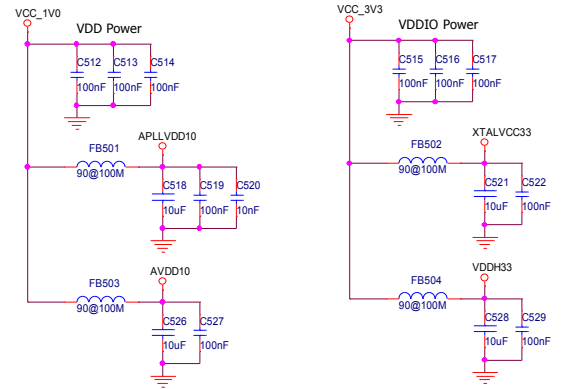
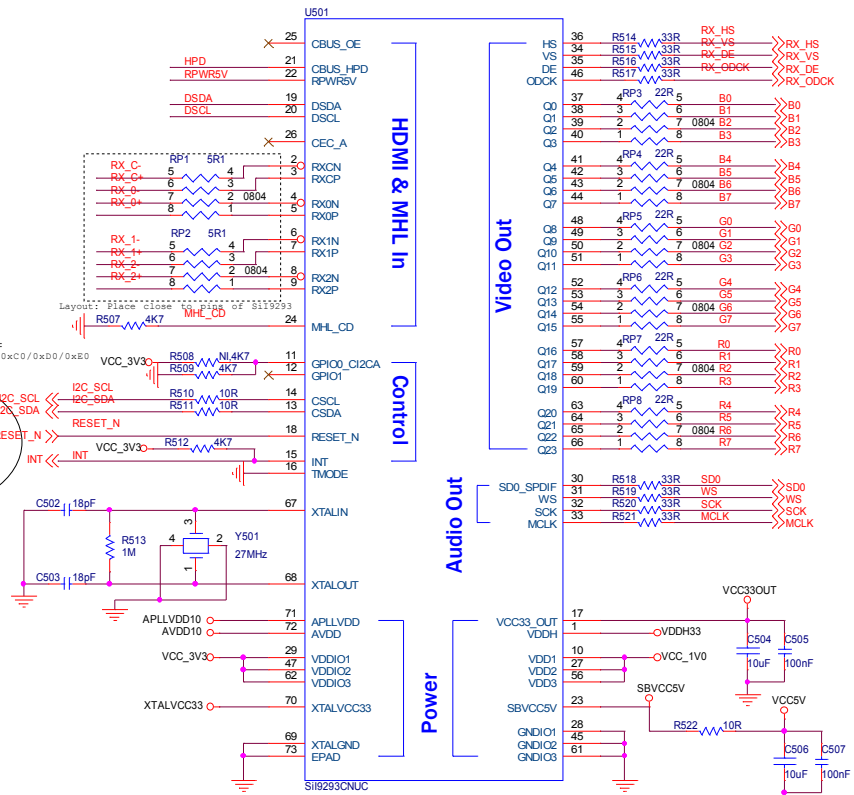


Title			FX3 DVK DEVICE BOARD		
Size	Document	Number			Rev
B	630-60013-01	REV03			3.0
Date:	Saturday, October 31, 2020	Sheet	1	of	7

HDMI INPUT

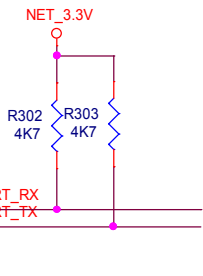
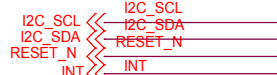
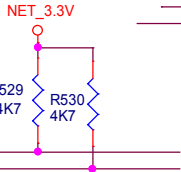
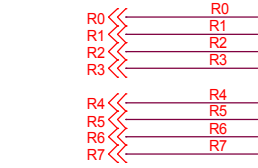


To
MCU...

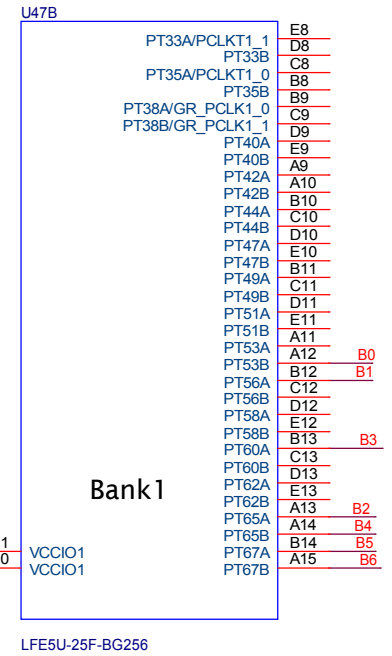
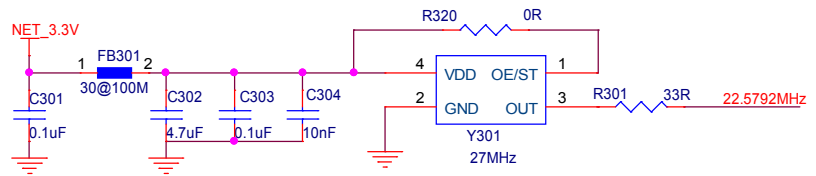
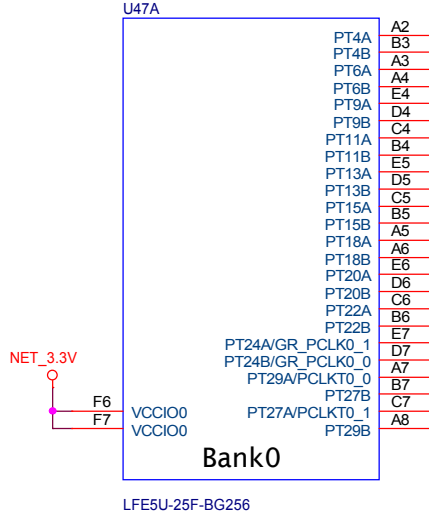
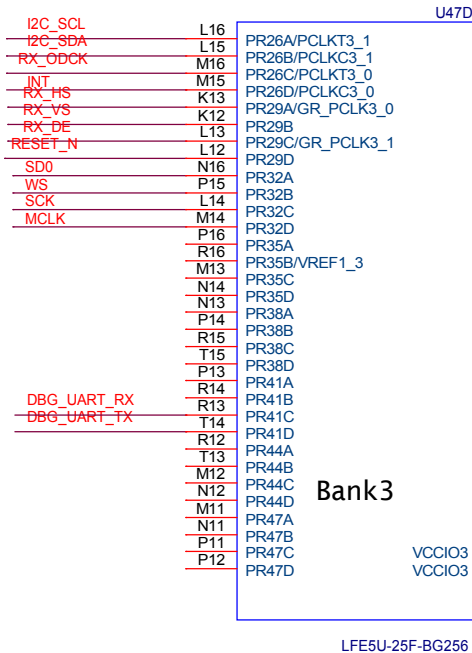
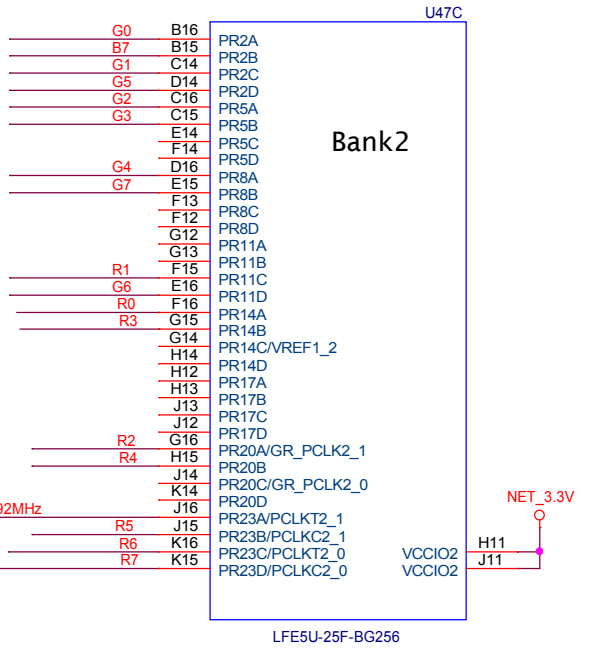


Title			
FX3 DVK DEVICE BOARD			
Size	Document	Number	Rev
Custom	630-60013-01	REV02	2.0
Date:	Saturday, October 31, 2020	Sheet	2 of 7

03 - FPGA_INPUT

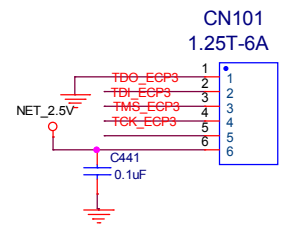
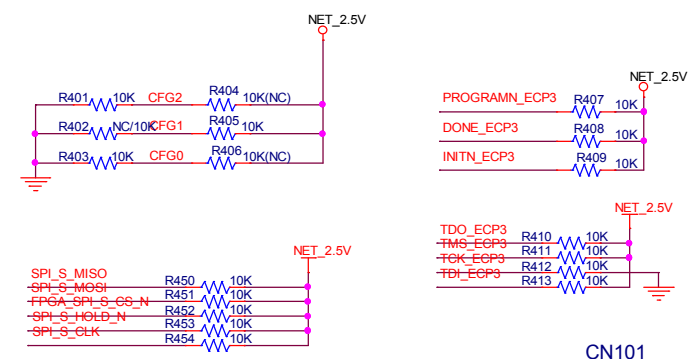
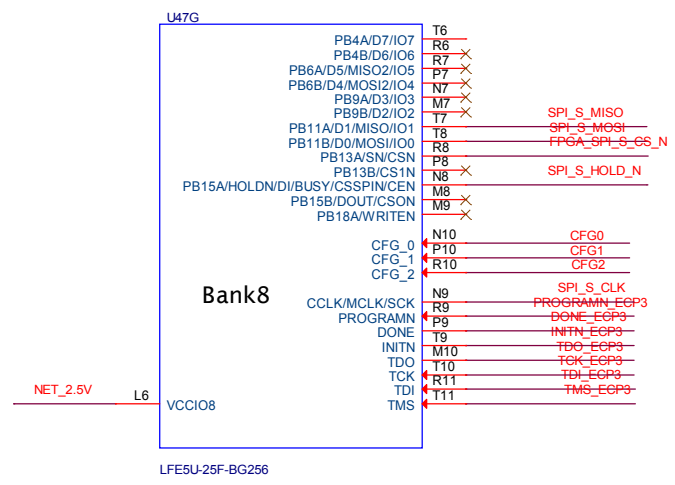
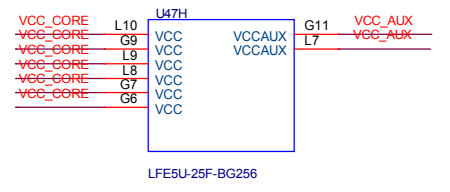
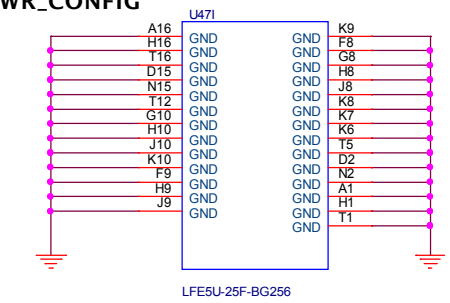


HEADER 4x1

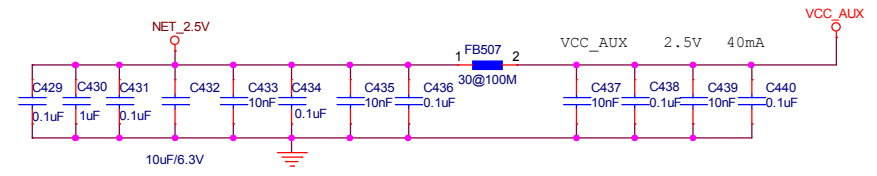
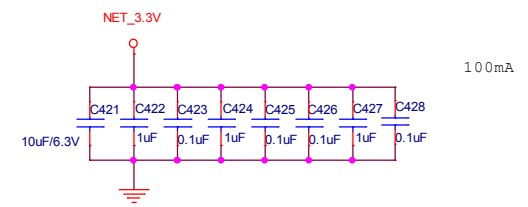
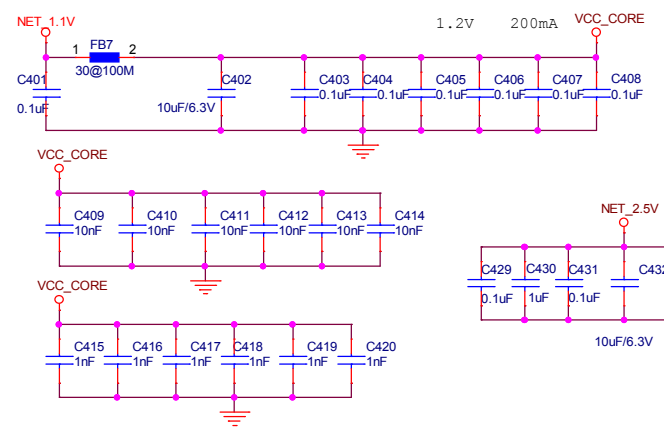


Title		
<Title>		
Size	Document Number	Rev
Custom	<Doc>	<RevCode>
Date:	Saturday, October 31, 2020	Sheet 3 of 7

04 - FPGA_PWR_CONFIG

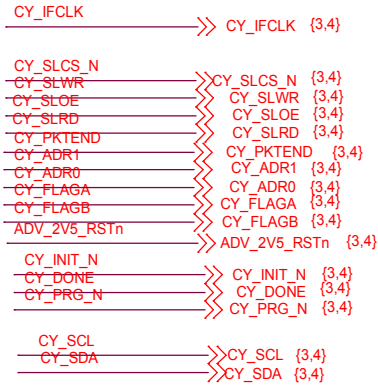
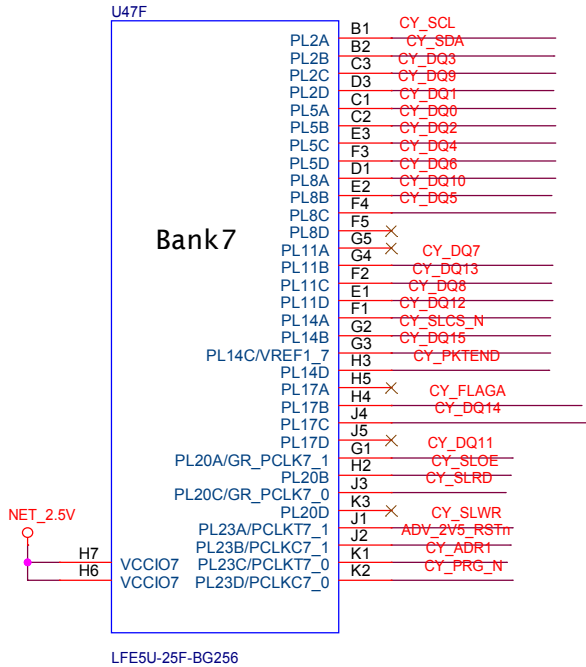
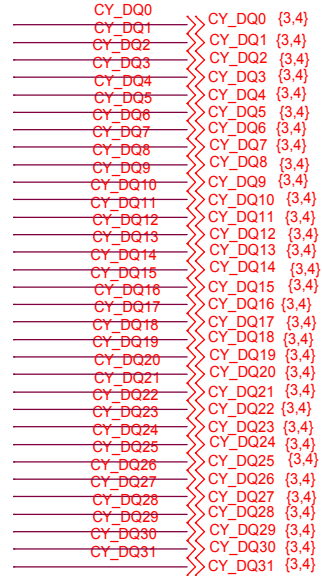
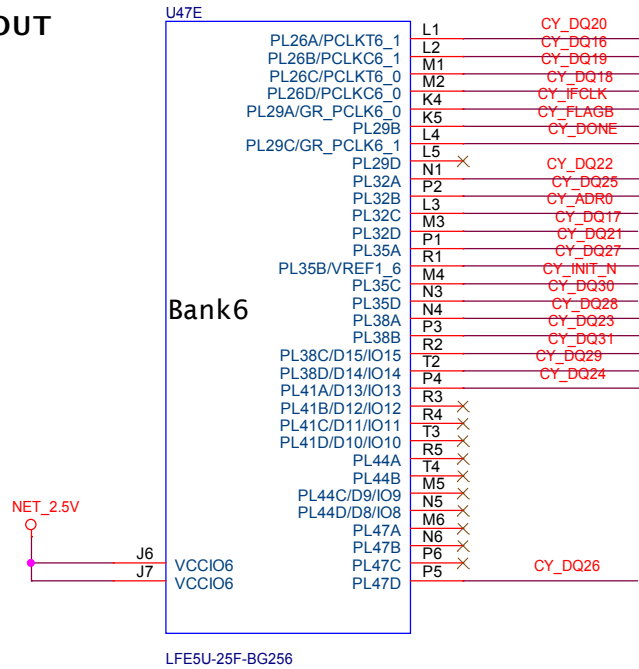


FPGA_SPI_S_CS_N >>> FPGA_SPI_S_CS_N (3,4)
 -SPI_S_CLK >>> SPI_S_CLK (3,4)
 -SPI_S_MOSI >>> SPI_S_MOSI (3,4)
 -SPI_S_MISO >>> SPI_S_MISO (3,4)



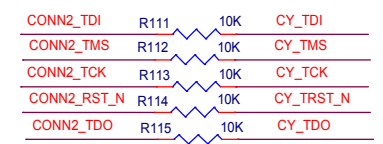
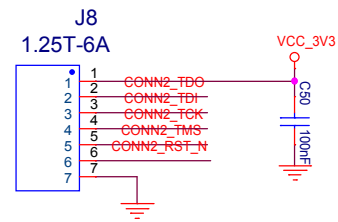
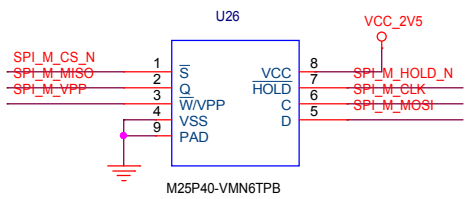
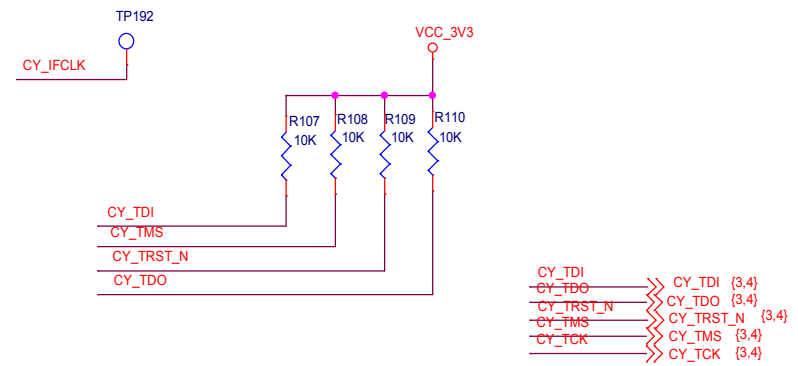
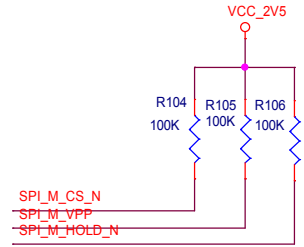
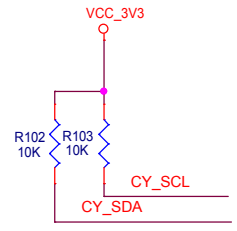
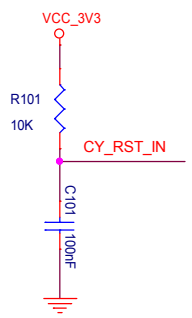
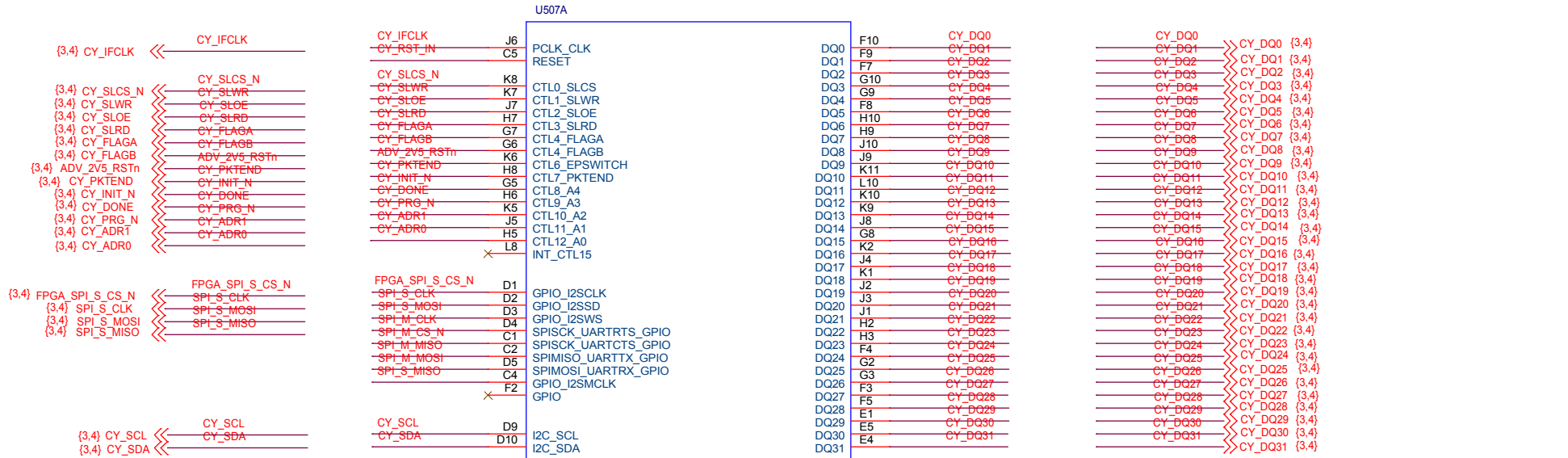
Title			
<Title>			
Size	Document	Number	Rev
Custom	<Doc>		<Rev Code>
Date:	Saturday, October 31, 2020	Sheet	4 of 7

05 - FPGA_DQ_OUT



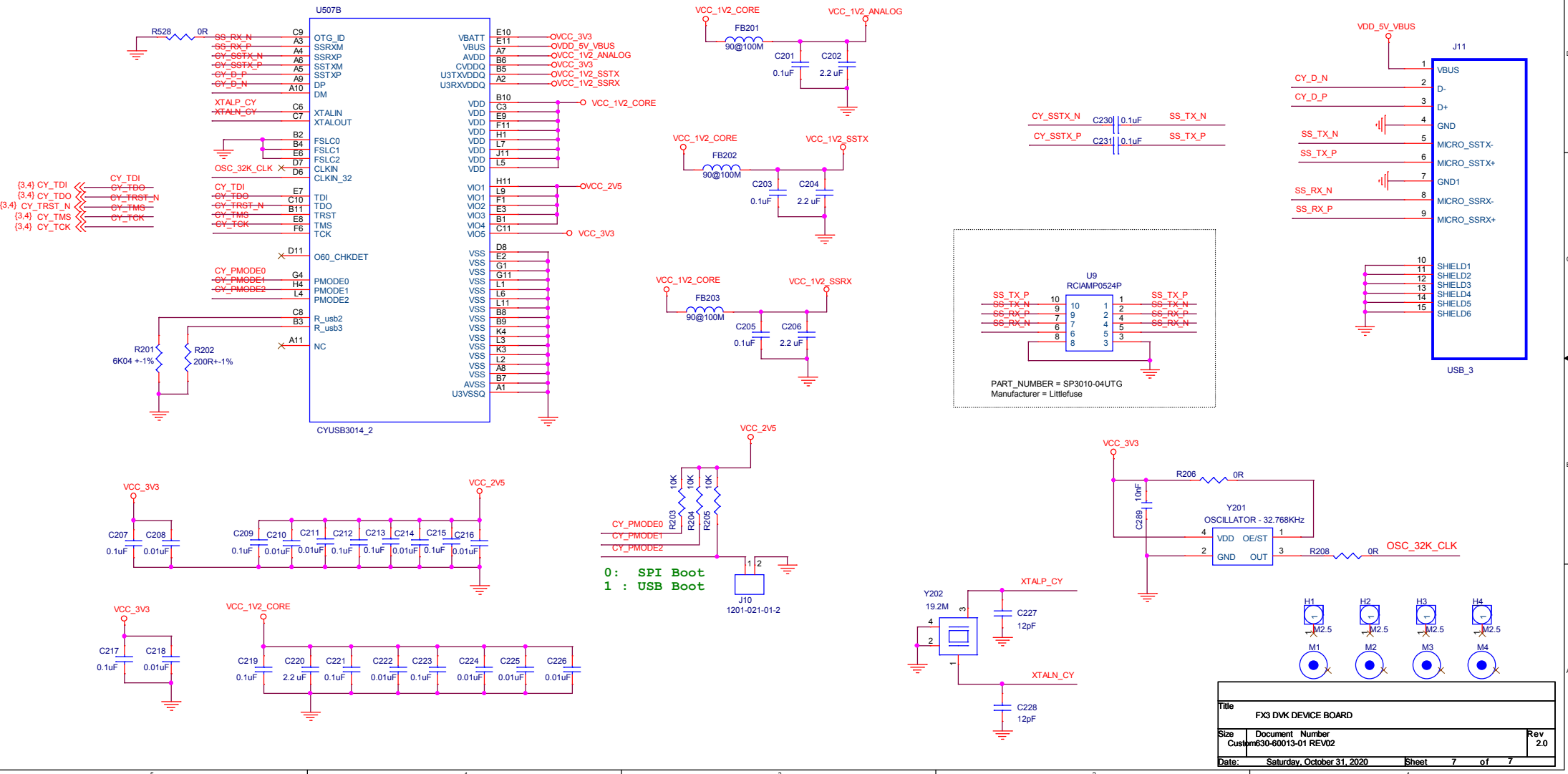
Title		
<Title>		
Size	Document Number	Rev
Custom	<Doc>	<RevCode>
Date:	Tuesday, October 27, 2020	Sheet 5 of 7

06 - CY3014_DQ_IN



Title			FX3 DVK DEVICE BOARD		
Size	Document Number			Rev	2.0
	Custom 630-60013-01	REV02			
Date:	Saturday, October 31, 2020	Sheet	6	of	7

07 -
CY3014-USB



Title		
FX3 DVK DEVICE BOARD		
Size	Document Number	Rev
Custom	630-60013-01 REV02	2.0
Date:	Saturday, October 31, 2020	Sheet 7 of 7