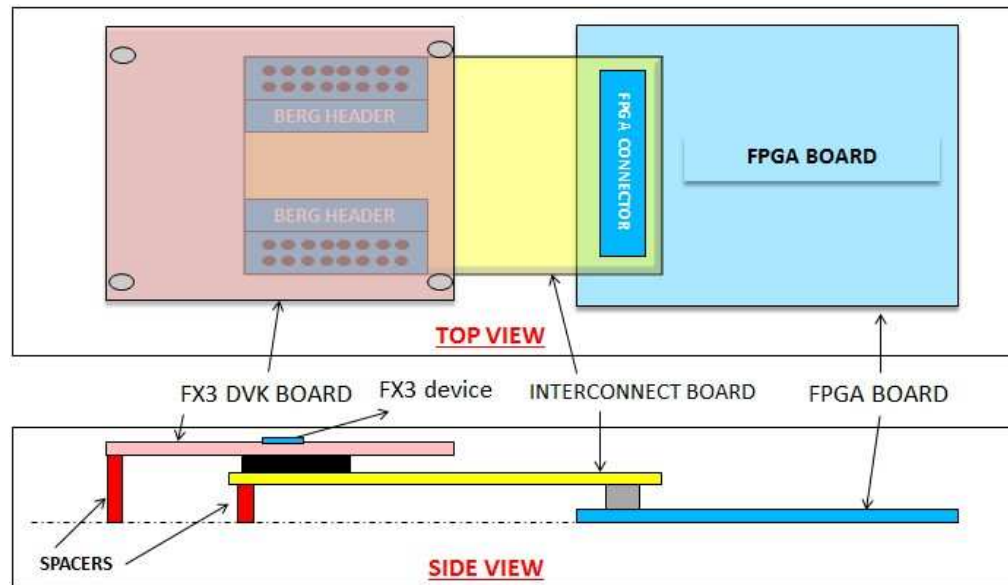


FX3 DVK TO HSMC BRIDGE

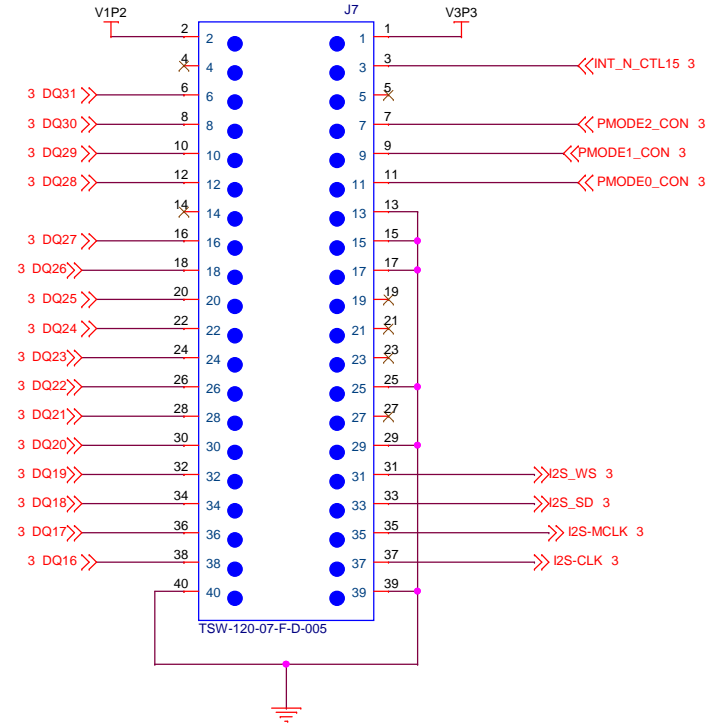
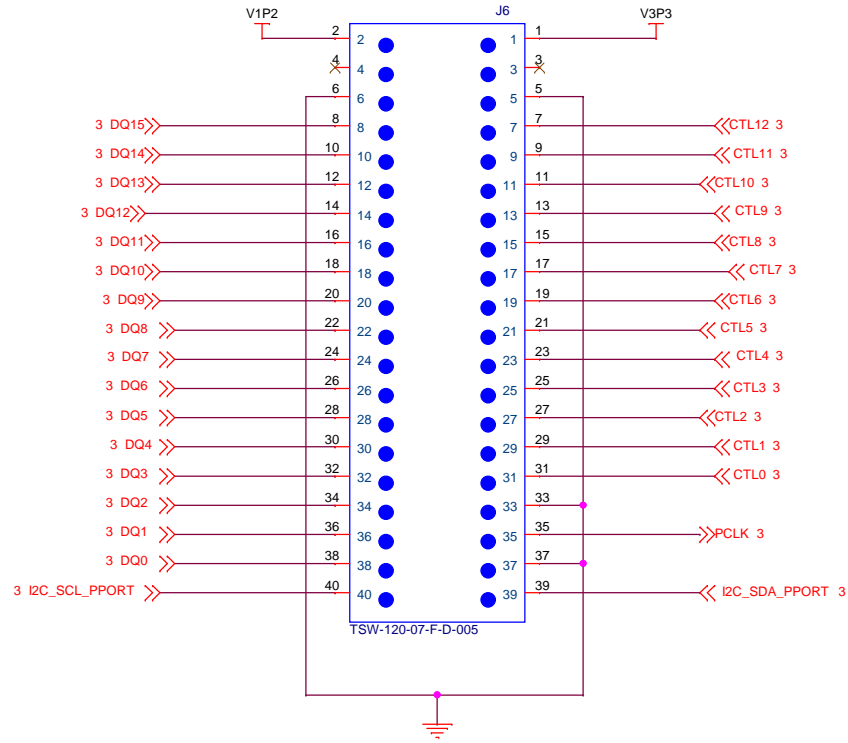
PAGE 01	INDEX PAGE
PAGE 02	RECTANGULAR HEADERS
PAGE 03	HSMC CONNECTOR



PCA: 121-60165-01
 PCB: 600-60201-01
 FAB DRW: 610-60193-01
 ASSY DRW: 620-60201-01

CYPRESS SEMICONDUCTOR © 2014		
Title		
CYUSB3ACC-006:- INDEX PAGE		
Size	Document Number	Rev
B	630-60197-01	3.0
Date:	Monday, July 14, 2014	Sheet 1 of 3

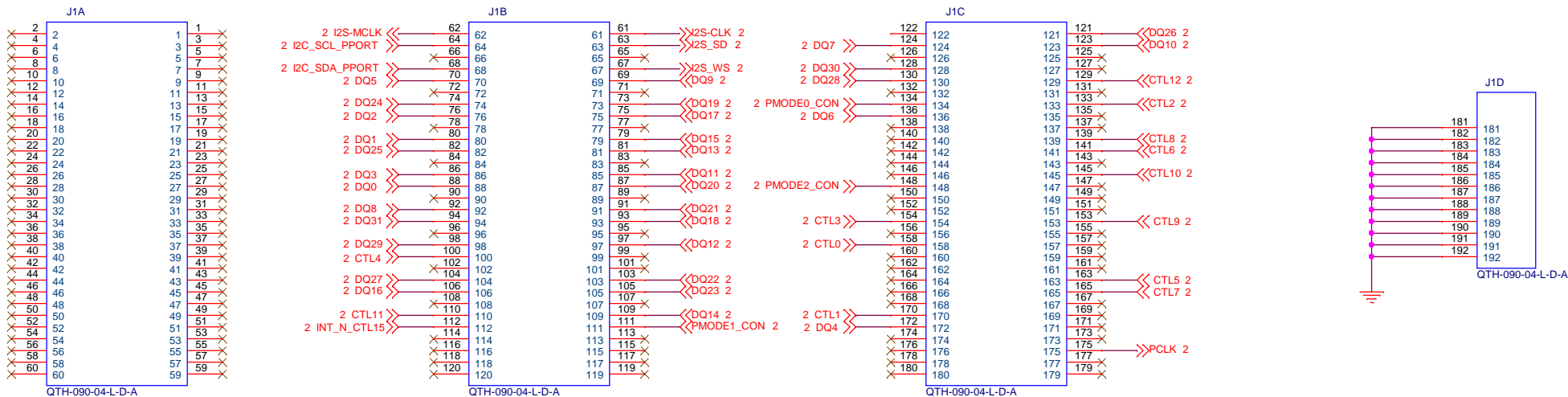
RECTANGULAR HEADERS



PCA: 121-60165-01
 PCB: 600-60201-01
 FAB DRW: 610-60193-01
 ASSY DRW: 620-60201-01

CYPRESS SEMICONDUCTOR © 2014		
Title CYUSB3ACC-006:- RECTANGULAR HEADERS		
Size B	Document Number 630-60197-01	Rev 3.0
Date: Monday, July 14, 2014	Sheet 2	of 3

HSMC CONNECTOR



PCA: 121-60165-01
 PCB: 600-60201-01
 FAB DRW: 610-60193-01
 ASSY DRW: 620-60201-01

CYPRESS SEMICONDUCTOR © 2014		
Title		
CYUSB3ACC-006:- HSMC CONNECTOR		
Size	Document Number	Rev
B	630-60197-01	3.0
Date:	Monday, July 14, 2014	Sheet 3 of 3