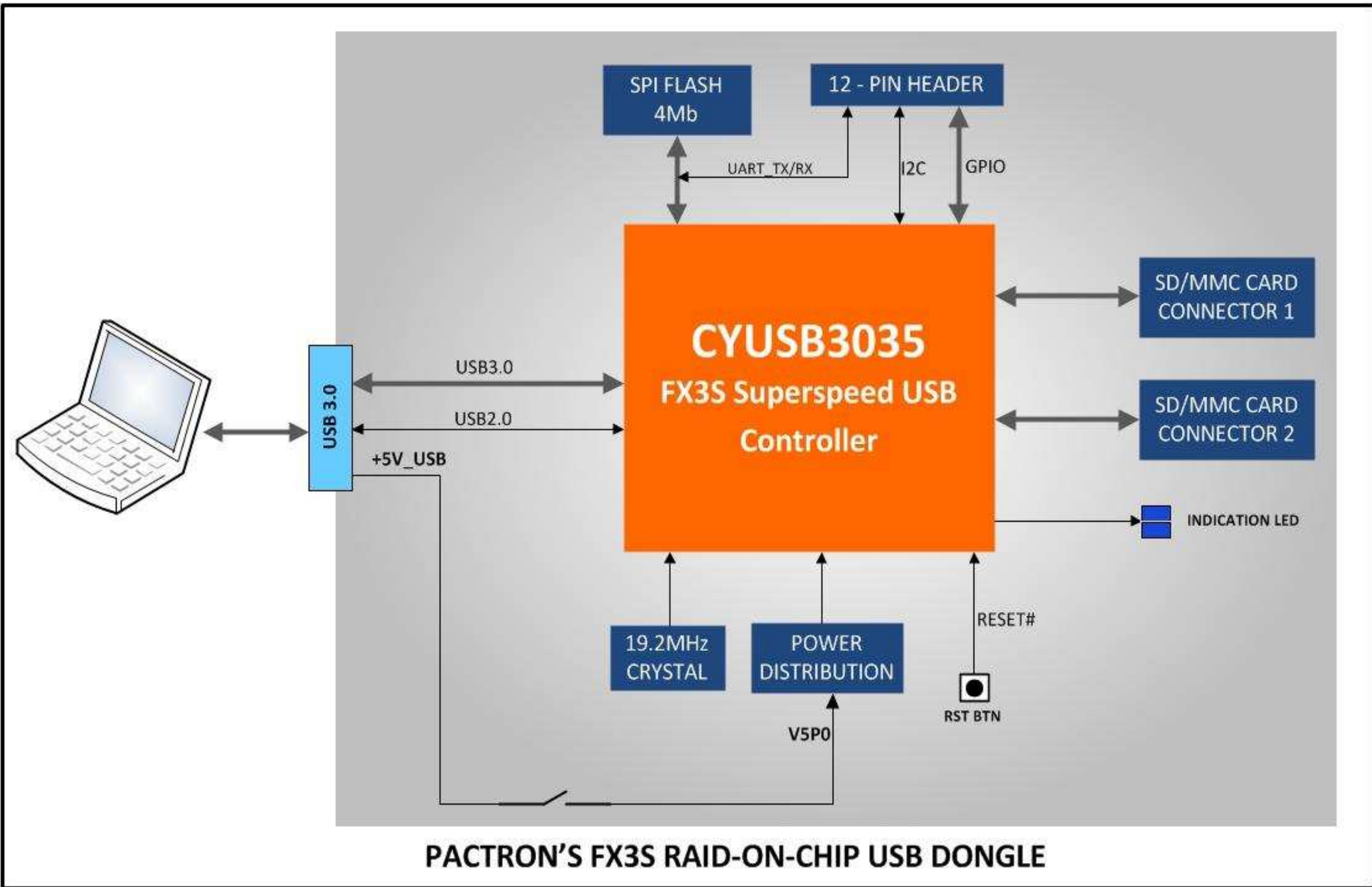




FX3S RAID-ON-CHIP USB DONGLE

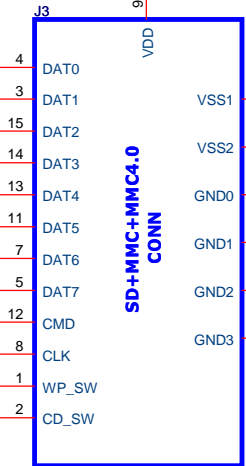
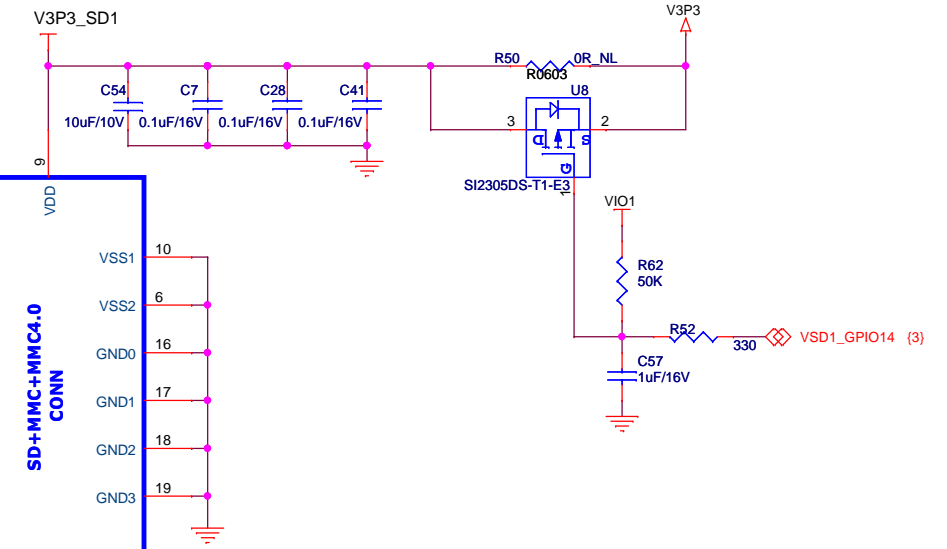
PAGE NO	TITLE
01	TITLE PAGE
02	BLOCK DIAGRAM
03	VIO1 & VIO5 CONNECTION
04	VIO2,3 & 4 - SD CARD CONNECTION
05	USB,POWER & DEOCUPLING CONNECTION
06	POWER DISTRIBUTION SECTION

FX3S RAID-ON-CHIP USB DONGLE



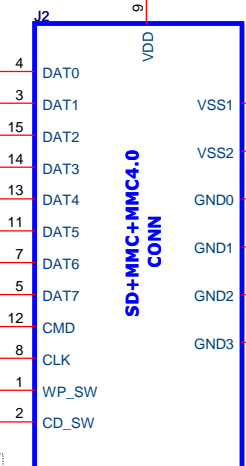
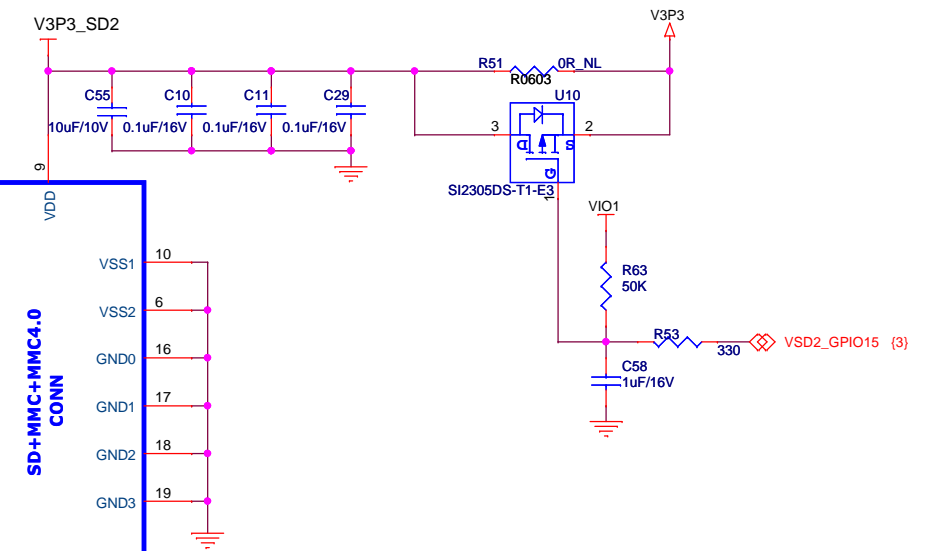
VIO2, 3 & 4 - SD CARD CONNECTIONS

VDD SUPPLY CONTROL FOR SDCARD

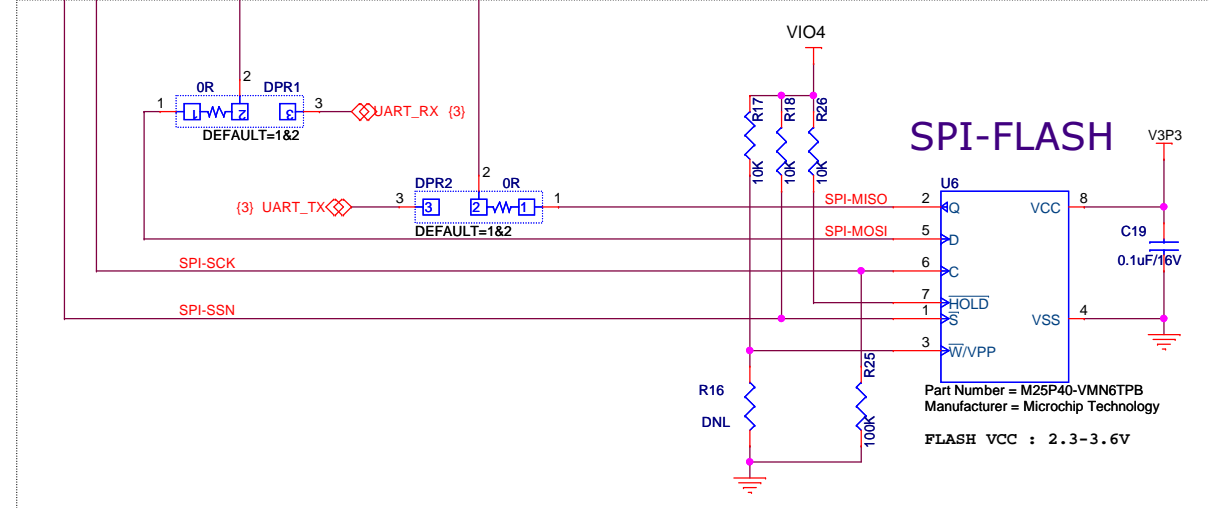
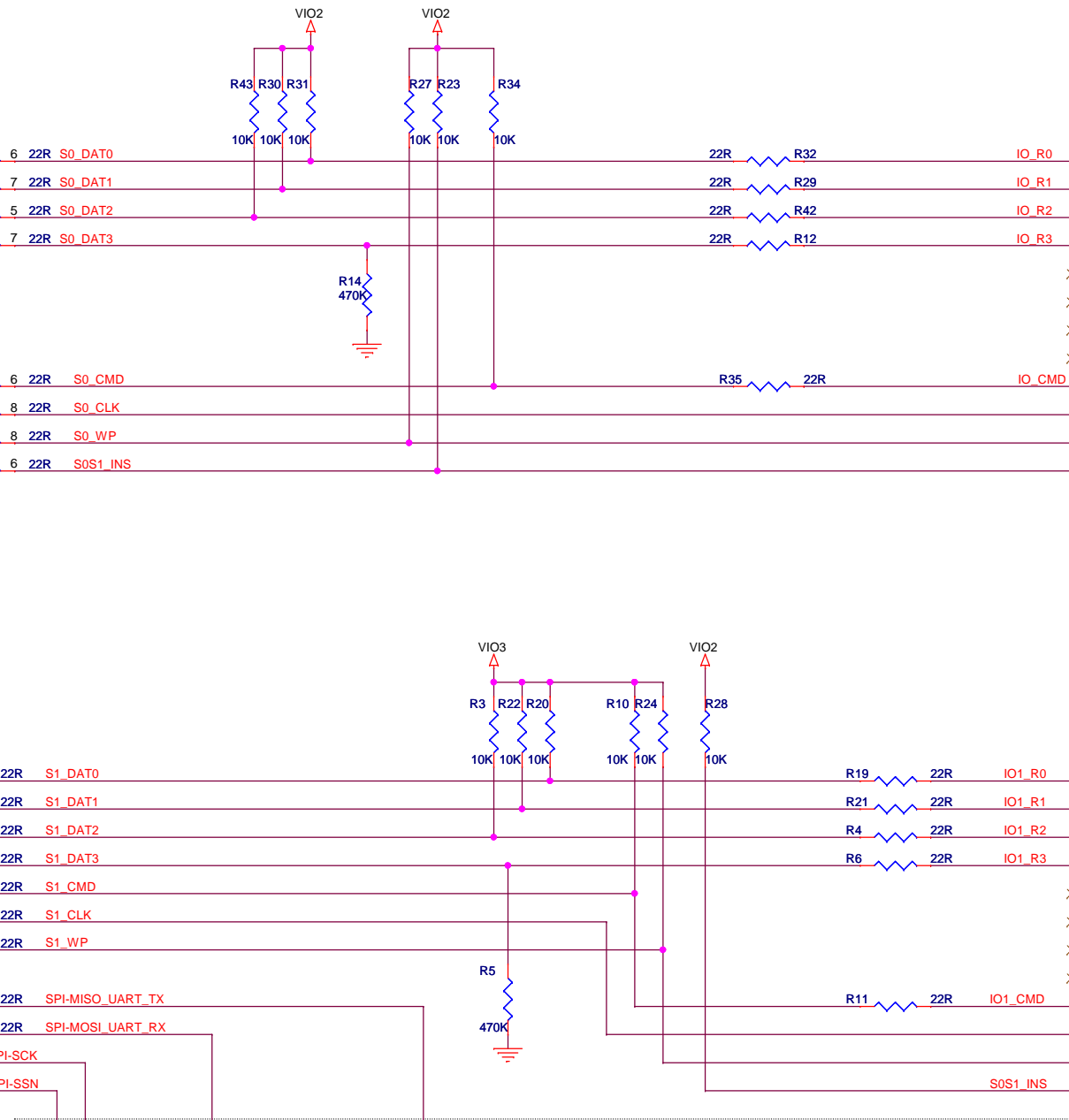
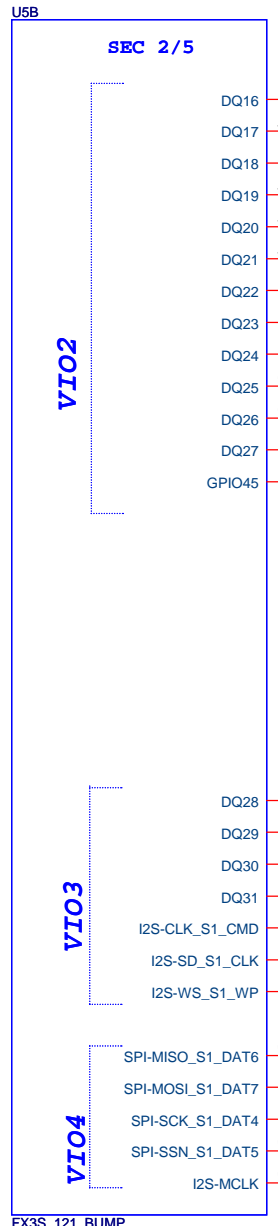


SD+MMC+MMC4
Part Number = 101-00565-64
Manufacturer = Amphenol

VDD SUPPLY CONTROL FOR SDCARD



SD+MMC+MMC4
Part Number = 101-00565-64
Manufacturer = Amphenol



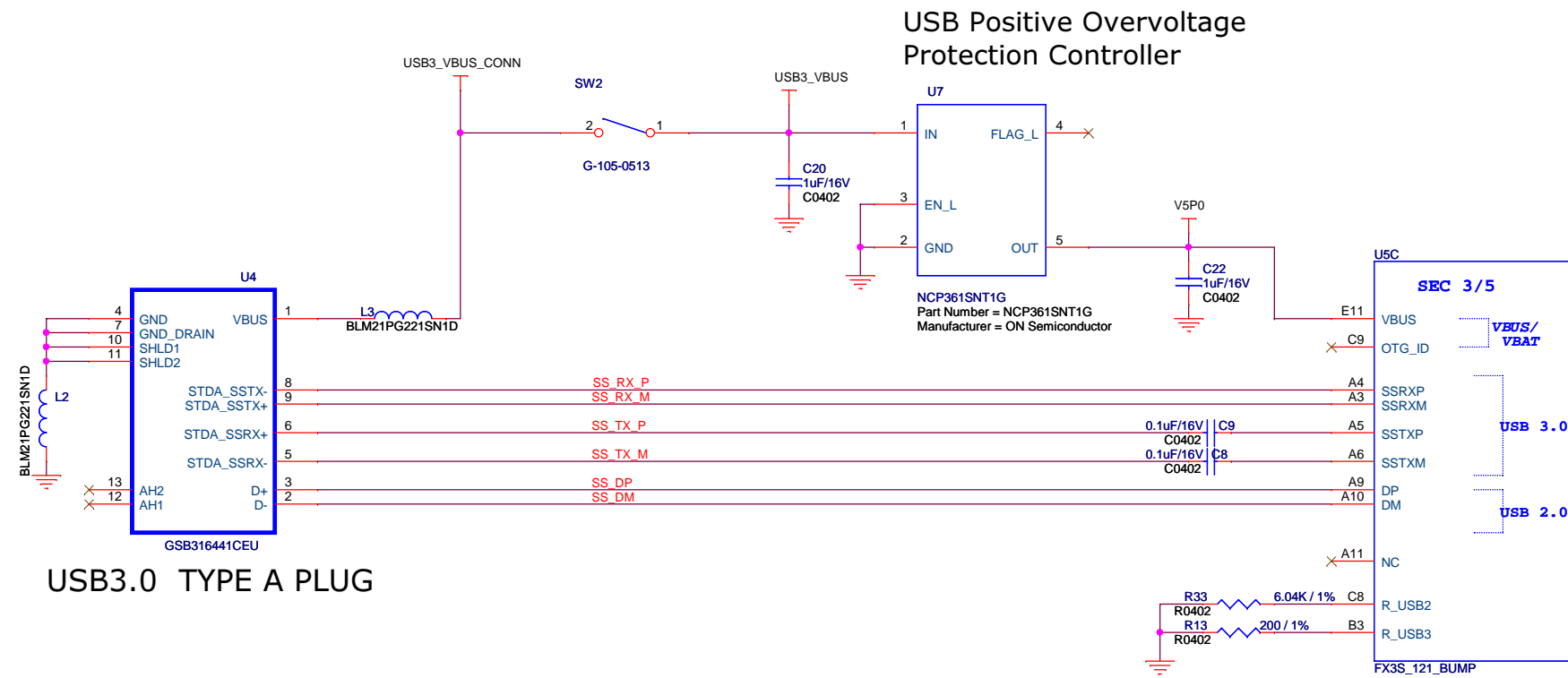
SPI-FLASH

Part Number = M25P40-VMN6TPB
Manufacturer = Microchip Technology
FLASH VCC : 2.3-3.6V

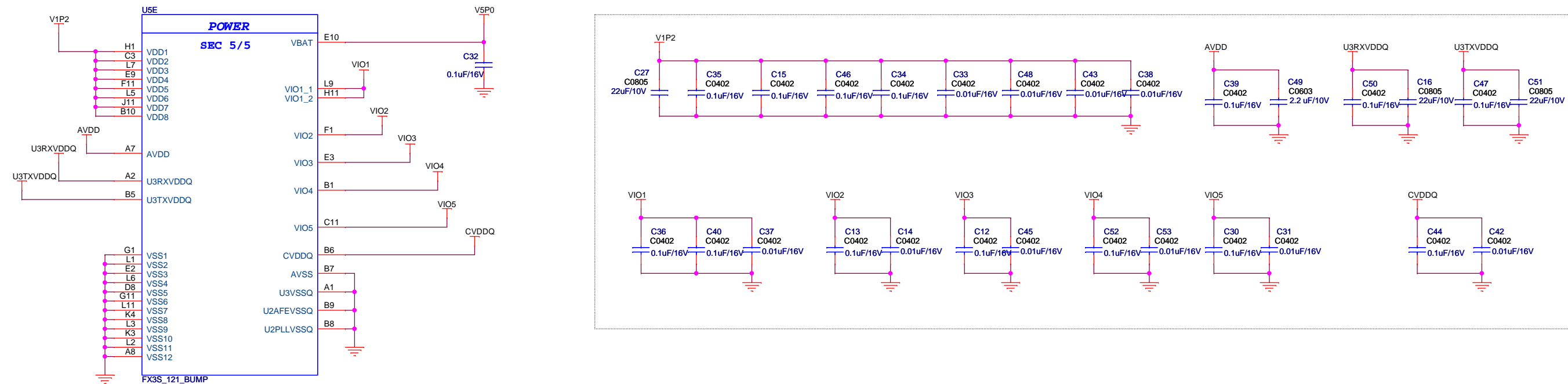


Title FX3S RAID-ON-CHIP USB DONGLE		
Size	Document Number VIO2, 3 & 4 - SD CARD CONNECTIONS	Rev 2.0
Date:	Monday, September 16, 2013	Sheet 4 of 6

FX3S USB CONNECTION



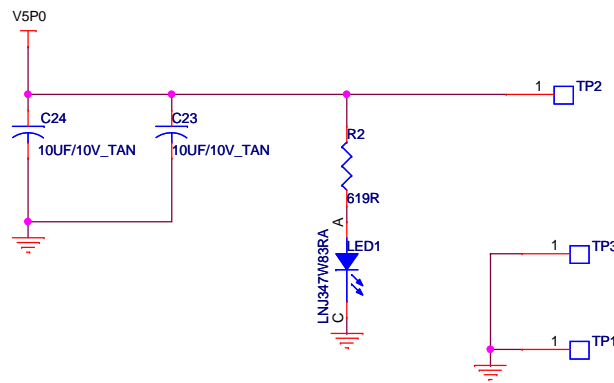
FX3S POWER & DECOUPLING



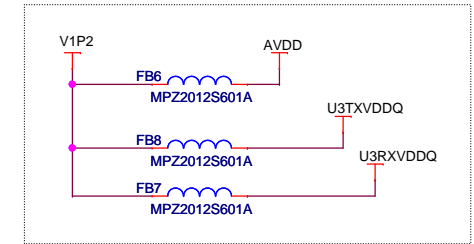
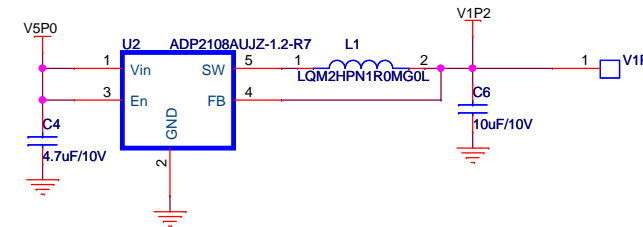
Title		
FX3S RAID-ON-CHIP USB DONGLE		
Size	Document Number	Rev
	USB_POWER & DECOUPLING CONNECTIONS	2.0
Date:	Monday, September 16, 2013	Sheet 5 of 6

POWER DISTRIBUTION SECTION

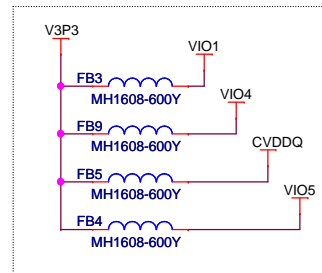
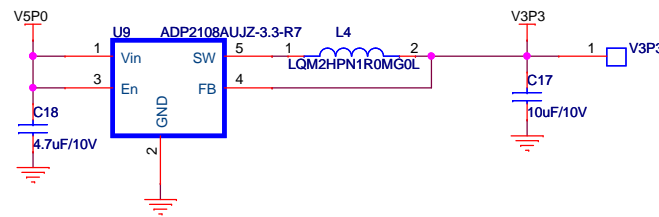
INDICATION FOR 5V FROM USB



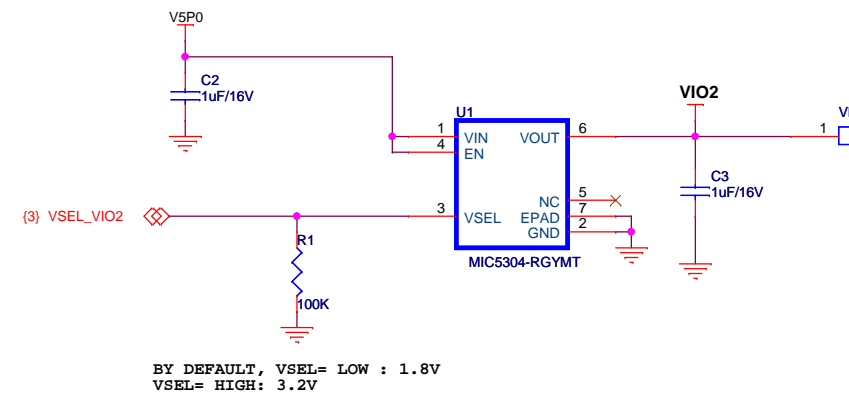
1.2V @ 0.6A FOR FX3S CORE



3.3V @ 0.6A FOR VIO1, VIO4, CVDDQ & SD Card



VIO2 (1.8/3.2V @ 0.15A) REGULATOR



VIO3 (1.8/3.2V @ 0.15A) REGULATOR

