



Please note that Cypress is an Infineon Technologies Company.

The document following this cover page is marked as “Cypress” document as this is the company that originally developed the product. Please note that Infineon will continue to offer the product to new and existing customers as part of the Infineon product portfolio.

Continuity of document content

The fact that Infineon offers the following product as part of the Infineon product portfolio does not lead to any changes to this document. Future revisions will occur when appropriate, and any changes will be set out on the document history page.

Continuity of ordering part numbers

Infineon continues to support existing part numbers. Please continue to use the ordering part numbers listed in the datasheet for ordering.



General Description

The CY8CMBR31xx CapSense® controllers support up to eight sensing inputs and are ideal for implementing capacitive buttons, sliders, and proximity sensing user interface solutions. These controllers have been optimized for the mobile and wearable markets and support advanced features, such as liquid-tolerant designs (mist, liquid droplets, or streaming liquid), proximity sensing up to 30 cm, glove touch up to 4-mm thickness, and support for 1-mm passive stylus interactions.

The CY8CMBR31xx family features an advanced analog sensing channel and the Capacitive Sigma Delta PLUS (CSD PLUS) sensing algorithm, which delivers a signal-to-noise ratio (SNR) of greater than 100:1 to ensure touch accuracy even in extremely noisy environments. These controllers are enabled with Cypress's SmartSense™ Auto-tuning algorithm, which compensates for manufacturing variations, and dynamically monitors and maintains optimal sensor performance in all environmental conditions. In addition, SmartSense Auto-tuning™ enables a faster time-to-market by eliminating the time-consuming manual tuning efforts during development and production ramp-up. These devices are offered in a 16-QFN package.

Target Applications

- Mobile phones - Buttons, sliders, proximity sensors, face detection, grip detection
- Tablets - Buttons, sliders, proximity sensors, SAR regulation
- Wearables - Buttons, sliders, proximity sensors, wrist detection

Features

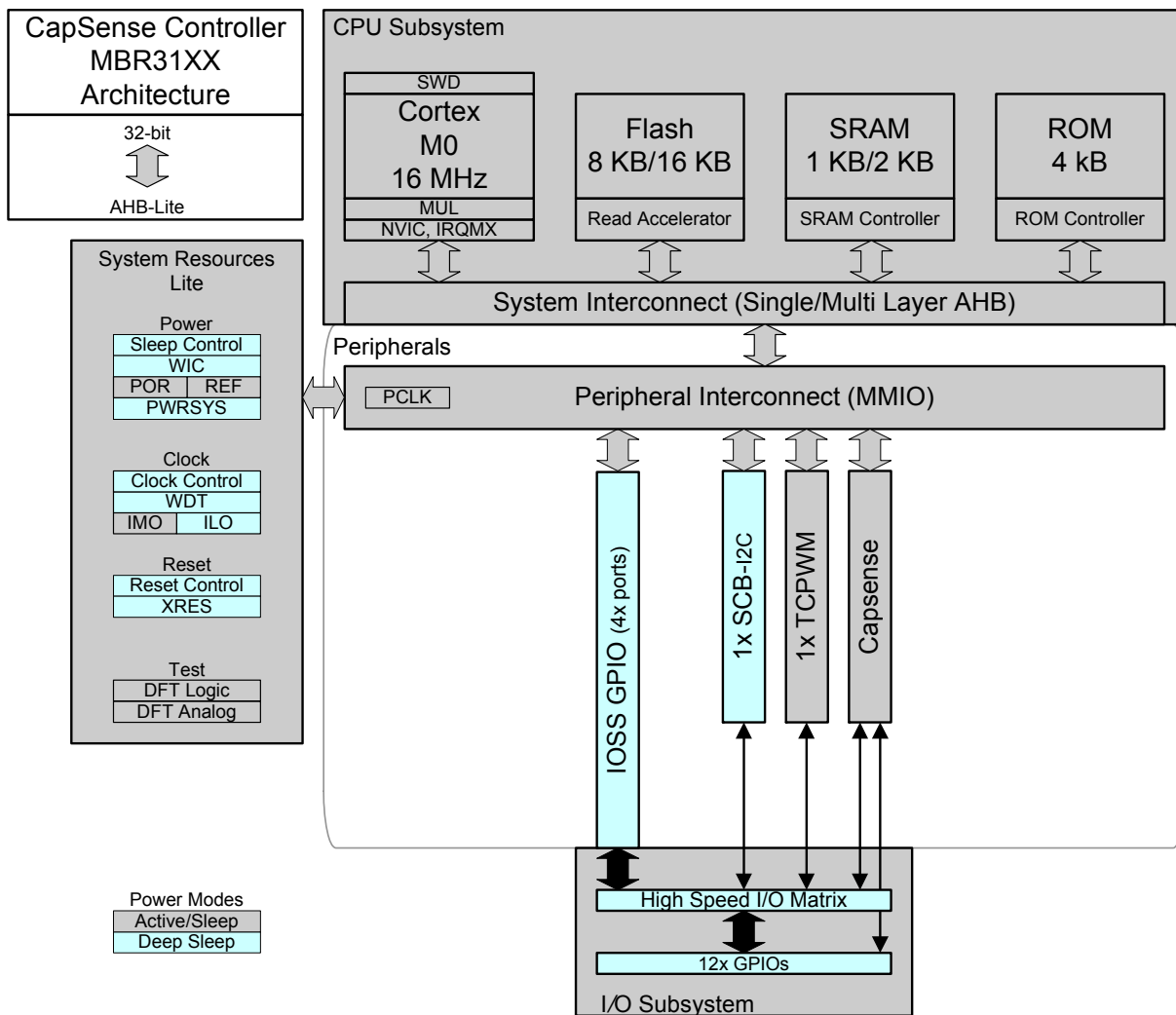
- Advanced features for mobile and wearable applications
 - Glove touch up to 4-mm thickness
 - Support for passive styluses as thin as 1-mm
 - Proximity sensing up to 30 cm
 - Liquid-tolerant buttons and proximity sensors
- Programmable CapSense controller
 - Patented CSD sensing algorithm
 - High sensitivity (0.1 pF)
 - Overlay thickness of up to 15 mm for glass and 5 mm for plastic
 - Wide parasitic capacitance (C_p) range: 5–45 pF
 - Best-in-class >100:1 SNR performance
 - Superior noise-immunity performance against conducted and radiated noise
 - Ultra-low radiated emissions
 - SmartSense Auto-tuning
 - Sets and maintains optimal sensor performance during run-time
 - Eliminates manual tuning during development and production
 - 32-bit MCU Sub-system
 - 16-MHz ARM Cortex-M0 CPU
 - 8-KB and 16-KB flash options
 - 1-KB and 2-KB SRAM options

- Low-power operation
 - Average current consumption as less as 5 μ A per sensor at 120-ms scan time
 - Low-power 1.71-V to 5.5-V operation
 - Deep Sleep mode with wake-up on interrupt and I2C address detect
- I2C slave
 - Supports up to 400 kHz
 - Wake-on-hardware address match
- PSoC Creator Design Environment
 - Integrated Development Environment (IDE) provides schematic design entry and build (with analog and digital automatic routing)
 - Applications programming interface (API) component for all fixed-function and programmable peripherals including CapSense
- Industry-standard tool compatibility
 - After schematic entry, development can be done with ARM-based industry-standard development tools
- Industrial temperature range: -40 °C to +85 °C
- Package options
 - 16-pin QFN (3 × 3 × 0.6 mm)

Contents

Functional Definition	4	Analog Peripherals	12
CPU and Memory Subsystem	4	Digital Peripherals	14
System Resources	4	Memory	15
Analog Blocks	5	System Resources	15
Fixed Function Digital	5	Ordering Information	18
GPIO	5	Packaging	19
Special Function Peripherals	5	Acronyms	20
Pinouts	6	Document Conventions	22
Power	7	Units of Measure	22
Unregulated External Supply	7	Revision History	23
Regulated External Supply	7	Sales, Solutions, and Legal Information	25
Development Support	8	Worldwide Sales and Design Support	25
Documentation	8	Products	25
Online	8	PSoC® Solutions	25
Tools	8	Cypress Developer Community	25
Electrical Specifications	9	Technical Support	25
Absolute Maximum Ratings	9		
Device Level Specifications	9		

Figure 1. Block Diagram



CY8CMBR31xx devices include extensive support for programming, testing, debugging, and tracing both hardware and firmware.

The ARM Serial_Wire Debug (SWD) interface supports all programming and debug features of the device.

Complete debug-on-chip functionality enables full device debugging in the final system using the standard production device. It does not require special interfaces, debugging pods, simulators, or emulators. Only the standard programming connections are required to fully support debug.

The PSoC Creator Integrated Development Environment (IDE) provides fully integrated programming and debug support for the CY8CMBR31xx devices. The SWD interface is fully compatible with industry standard third party tools. The CY8CMBR31xx family provides a level of security not possible with multi-chip application solutions or with microcontrollers.

It has the following advantages:

- Allows disabling of debug features

- Robust flash protection

- Allows customer-proprietary functionality to be implemented in on-chip programmable blocks

The debug circuits are enabled by default and can only be disabled in firmware. If not enabled, the only way to re-enable them is to erase the entire device, clear flash protection, and reprogram the device with new firmware that enables debugging.

Additionally, all device interfaces can be permanently disabled (device security) for applications concerned about phishing attacks due to a maliciously reprogrammed device or attempts to defeat security by starting and interrupting flash programming sequences. Because all programming, debug, and test interfaces are disabled when maximum device security is enabled, CY8CMBR31xx with device security enabled may not be returned for failure analysis. This is a trade-off that the CY8CMBR31xx allows the customer to make.

Functional Definition

CPU and Memory Subsystem

CPU

The Cortex-M0 CPU in the CY8CMBR31xx is part of the 32-bit MCU subsystem, which is optimized for low power operation with extensive clock gating. Most instructions are 16-bits in length and the CPU executes a subset of the Thumb-2 instruction set. This enables fully compatible binary upward migration of the code to higher performance processors such as the Cortex-M3 and M4. It includes a nested vectored interrupt controller (NVIC) block with 8 interrupt inputs and also includes a Wakeup Interrupt Controller (WIC), which can wake the processor up from Deep Sleep mode allowing power to be switched off to the main processor when the chip is in Deep Sleep mode.

The CPU also includes a debug interface, the Serial Wire Debug (SWD) interface, which is a 2-wire form of JTAG; the debug configuration used for CY8CMBR31xx has four break-point (address) comparators and two watchpoint (data) comparators.

Flash

The CY8CMBR31xx has a flash module with a flash accelerator tightly coupled to the CPU to improve average access times from the flash block. The low-power flash block is designed to deliver zero wait-state (WS) access time at 16 MHz.

SRAM

Up to 2 KB of SRAM are provided with zero wait-state access at 16 MHz.

SROM

A supervisory ROM that contains boot and configuration routines is provided.

System Resources

Power System

The power system is described in detail in the section [Power on page 7](#). It provides an assurance that voltage levels are as required for each respective mode and either delays mode entry (for example, on Power-On Reset) until voltage levels are as required for proper functionality or generates resets (for example, on Brown-Out Detection). The CY8CMBR31xx operates with a single external supply over the range of 1.8 V \pm 5% or 1.8 to 5.5 V, and has three different power modes. Transitions between these modes are managed by the power system. The CY8CMBR31xx provides Active, Sleep, and Deep Sleep low-power modes.

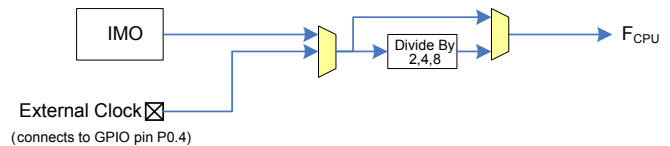
All sub-systems are operational in the Active mode. The CPU sub-system (CPU, Flash, and SRAM) is clock-gated off in the Sleep mode while all peripherals and interrupts are active with instantaneous wake-up on a wake-up event. In the Deep Sleep mode, the high-speed clock and associated circuitry is switched off; wake-up from this mode takes 35 μ s.

Clock System

The CY8CMBR31xx clock system is responsible for providing clocks to all subsystems that require clocks and for switching between different clock sources without glitching. In addition, the clock system ensures that no metastable conditions occur.

The clock system for the CY8CMBR31xx consists of the IMO and the ILO internal oscillators and provision for an external clock.

Figure 2. CY8CMBR31xx MCU Clocking Architecture



The F_{CPU} signal can be divided down to generate synchronous clocks for the analog and digital peripherals. There are a total of four clock dividers for the CY8CMBR31xx, each with 16-bit divide capability. The 16-bit capability enables flexible generation fine-grained frequency values and is fully supported in PSoC Creator.

IMO Clock Source

The IMO is the primary source of internal clocking in the CY8CMBR31xx. It is trimmed during testing to achieve the specified accuracy. The IMO default frequency is 24 MHz and it can be adjusted from 24 to 48 MHz in steps of 4 MHz. The IMO tolerance with Cypress-provided calibration settings is \pm 2% (24 and 32 MHz).

ILO Clock Source

The ILO is a very low power 40-kHz oscillator, which is primarily used to generate clocks for the watchdog timer (WDT) and peripheral operation in the Deep Sleep mode. ILO-driven counters can be calibrated to the IMO to improve accuracy. Cypress provides a software component, which does the calibration.

Watchdog Timer

A watchdog timer is implemented in the clock block running from the ILO; this allows watchdog operation during Deep Sleep and generates a watchdog reset if not serviced before the timeout occurs. The watchdog reset is recorded in the Reset Cause register, which is firmware readable.

Reset

The CY8CMBR31xx can be reset from a variety of sources including a software reset. Reset events are asynchronous and guarantee reversion to a known state. The reset cause is recorded in a register, which is sticky through reset and allows the software to determine the cause of the reset. An internal power-on reset (POR) is provided on the 16-pin package.

Voltage Reference

The CY8CMBR31xx reference system generates all internally required references. A 1.2-V voltage reference is provided for the comparator. The IDACs are based on a \pm 5% reference.

Analog Blocks

Low-power Comparators

The CY8CMBR31xx has a low-power comparator, which uses the built-in voltage reference. Any pin can be used as a Compare input and the output of the comparator can be brought out to a pin. The selected comparator input is connected to the minus input of the comparator with the plus input always connected to the 1.2-V voltage reference. This comparator is also used for CapSense purposes and is not available during CapSense operation.

Current DACs

The CY8CMBR31xx has two current DACs (IDACs), which can drive any pin on the chip. These IDACs have programmable current ranges.

Analog Multiplexed Busses

The CY8CMBR31xx has two concentric independent busses that go around the periphery of the chip. These busses (called amux busses) are connected to firmware-programmable analog switches that allow the chip's internal resources (IDACs and comparator) to connect to any port pin. Sets of pins can be driven under firmware control.

Fixed Function Digital

Timer/Counter/PWM Block

The Timer/Counter/PWM block consists of a 16-bit counter with user-programmable period length. There is a Capture register to record the count value at the time of an event (which may be an I/O event), a period register that is used to either stop or auto-reload the counter when its count is equal to the period register, and compare registers to generate compare value signals that are used as PWM duty cycle outputs. The block also provides true and complementary outputs with programmable offset between them to allow use as deadband programmable complementary PWM outputs. It also has a Kill input to force outputs to a predetermined state; for example, this is used in motor drive systems when an overcurrent state is indicated and the PWM driving the FETs needs to be shut off immediately with no time for software intervention.

Serial Communication Blocks (SCB)

The CY8CMBR31xx has a serial communication block, which implements a multi-master I²C interface.

I²C Mode: The hardware I²C block implements a slave interface. This block is capable of operating at speeds of up to 400 kbps (Fast Mode) and has flexible buffering options to reduce interrupt overhead and latency for the CPU. It also supports EzI²C that creates a mailbox address range in the memory of the CY8CMBR31xx and effectively reduces I²C communication to reading from and writing to an array in memory.

In addition, the block supports an 8-deep FIFO for receive and transmit which increases the time given for the CPU to read data. This greatly reduces the need for clock stretching caused by the CPU not having read data on time. The I²C peripheral is compatible with the I²C Standard-mode and Fast Mode devices as defined in the NXP I²C-bus specification and user manual (UM10204). The I²C bus I/O is implemented with GPIO in the open-drain mode.

The CY8CMBR31xx is not completely compliant with the I²C spec in the following respects:

- GPIO cells are not overvoltage tolerant and, therefore, cannot be hot-swapped or powered up independently of the rest of the I²C system.

GPIO

The CY8CMBR31xx has 12 GPIOs. The GPIO block implements the following:

- Eight drive modes:
 - Analog input mode (input and output buffers disabled)
 - Input only
 - Weak pull-up with strong pull-down
 - Strong pull-up with weak pull-down
 - Open drain with strong pull-down
 - Open drain with strong pull-up
 - Strong pull-up with strong pull-down
 - Weak pull-up with weak pull-down
- Input threshold select (CMOS or LVTTTL).
- Individual control of input and output buffer enabling/disabling in addition to the drive strength modes.
- Hold mode for latching previous state (used for retaining I/O state in Deep Sleep mode and Hibernate modes).
- Selectable slew rates for dV/dt related noise control to improve EMI.

The pins are organized in logical entities called ports, which are 8-bit in width. During power-on and reset, the blocks are forced to the disable state so as not to crowbar any inputs and/or cause excess turn-on current. A multiplexing network known as a high-speed I/O matrix is used to multiplex between various signals that may connect to an I/O pin.

Data output and pin state registers store, respectively, the values to be driven on the pins and the states of the pins themselves.

Every I/O pin can generate an interrupt if so enabled and each I/O port has an interrupt request (IRQ) and interrupt service routine (ISR) vector associated with it (3 for CY8CMBR31xx because its pins are associated with three logical ports).

Special Function Peripherals

CapSense

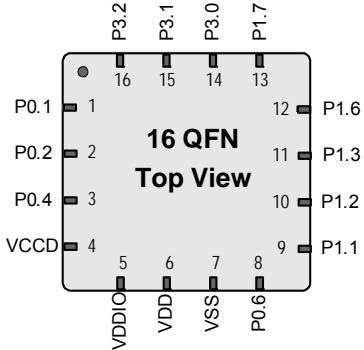
CapSense is supported on eight pins (CapSense pins) in the CY8CMBR31xx through a CapSense Sigma-Delta (CSD) block that can be connected to any CapSense pin via analog switches that connect to an amux bus. The CapSense function can thus be provided on any available pin or group of pins in a system under software control. A component is provided for the CapSense block to make it easy for the user.

Shield voltage can be driven on another amux bus to provide liquid-tolerance capability. Liquid tolerance is provided by driving the shield electrode in phase with the sense electrode to keep the shield capacitance from attenuating the sensed input. Proximity sensing can also be implemented.

Pinouts

CY8CMBR31xx (8 Sensing Inputs)

Table 1. CY8CMBR31xx Pin Descriptions and Diagram

16-Pin QFN				Pin Diagram
Pin	Name	TCPWM Signals	Alternate Functions	
1	P0.1/TRIN1/CMPO_0	TRIN1: Trigger Input 1	CMPO_0: Sense Comp Out	
2	P0.2/TRIN2	TRIN2: Trigger Input 2		
3	P0.4/TRIN4/CMPO_0/EXT_CLK	TRIN4: Trigger Input 4	CMPO_0: Sense Comp Out, External Clock, CMOD Cap	
4	VCCD			
5	VDDIO			
6	VDD			
7	VSS			
8	P0.6			
9	P1.1/OUT0	OUT0: PWM OUT 0		
10	P1.2/SCL		I2C SCL	
11	P1.3/SDA		I2C Data	
12	P1.6/OVF0/UND0/nOUT0/CMPO_0	nOUT0: Complement of OUT0 (not OUT)	CMPO_0: Sense Comp Out, Internal Reset function during POR (must not have load to ground during POR).	
13	P1.7/MATCH/EXT_CLK	MATCH: Match Out	External Clock	
14	P3.0/SDA/SWD_IO		I2C Data, SWD IO	
15	P3.1/SCL/SWD_CLK		I2C Clock, SWD Clock	
16	P3.2	OUT0: PWM OUT 0		

Descriptions of the pin functions are as follows:

VDDD: Power supply for both analog and digital sections.

VDDIO: This pin provides a separate voltage domain (for details, refer to the “Power” section on page 7).

VSS: Ground pin.

VCCD: Regulated digital supply (1.8 V ±5%).

Power

The following power system diagram shows the set of power supply pins as implemented for the CY8CMBR31xx. The system has one regulator in the Active mode for the digital circuitry. There is no analog regulator; the analog circuits run directly from the VDD input. There is a separate regulator for the Deep Sleep mode. The supply voltage range is either 1.8 V \pm 5% or 1.8 V to 5.5 V with all functions and circuits operating over that range.

The VDDIO pin provides a separate voltage domain for the following pins: P3.0, P3.1, and P3.2. P3.0 and P3.1 can be I²C pins and the chip can thus communicate with an I²C system running at a different voltage (where VDDIO \leq VDD). For instance, VDD can be 3.3 V and VDDIO can be 1.8 V.

The CY8CMBR31xx family allows two distinct modes of power supply operation: Unregulated External Supply and Regulated External Supply.

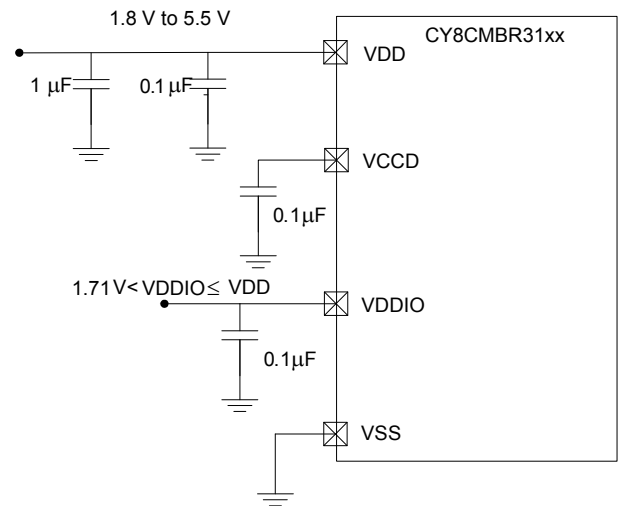
Unregulated External Supply

In this mode, the CY8CMBR31xx is powered by an external power supply that can be anywhere in the range of 1.8 to 5.5 V. This range is also designed for battery-powered operation. For example, the chip can be powered from a battery system that starts at 3.5 V and works down to 1.8 V. In this mode, the internal regulator of the CY8CMBR31xx supplies the internal logic and the VCCD output of the CY8CMBR31xx must be bypassed to ground via an external capacitor (0.1 μ F; X5R ceramic or better).

Bypass capacitors must be used from VDD to ground. The typical practice for systems in this frequency range is to use a capacitor in the 1- μ F range in parallel with a smaller capacitor (0.1 μ F, for example). Note that these are simply rules of thumb and that, for critical applications, the PCB layout, lead inductance, and the bypass capacitor parasitic should be simulated to design and obtain optimal bypassing.

An example of a bypass scheme follows (VDDIO is available on the 16-pin QFN package).

Power supply connections when $1.8 \leq VDD \leq 5.5 V$

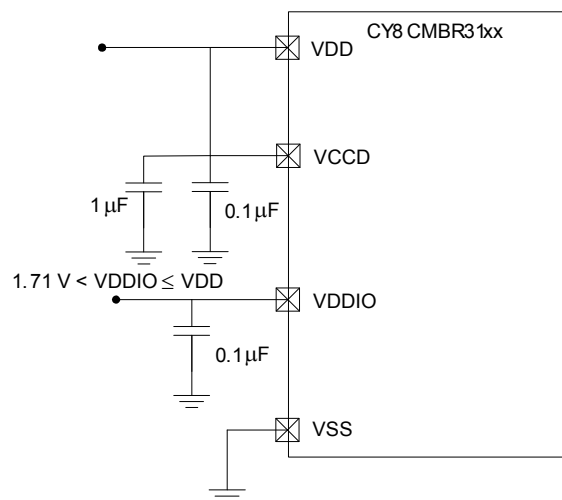


Regulated External Supply

In this mode, the CY8CMBR31xx is powered by an external power supply that must be within the range of 1.71 to 1.89 V (1.8 \pm 5%); note that this range needs to include power supply ripple too. In this mode, the VDD and VCCD pins are shorted together and bypassed. The internal regulator is disabled in firmware.

An example of a bypass scheme follows (VDDIO is available on the 16-pin QFN package).

Power supply connections when $1.71 \leq VDD \leq 1.89 V$



Development Support

The CY8CMBR31xx family has a rich set of documentation, development tools, and online resources to assist you during your development process. Visit www.cypress.com/go/psoc4 to find out more.

Documentation

A suite of documentation supports the CY8CMBR31xx family to ensure that you can find answers to your questions quickly. This section contains a list of some of the key documents.

Software User Guide: A step-by-step guide for using PSoC Creator. The software user guide shows you how the PSoC Creator build process works in detail, how to use source control with PSoC Creator, and much more.

Component Datasheets: The flexibility of PSoC allows the creation of new peripherals (components) long after the device has gone into production. Component data sheets provide all of the information needed to select and use a particular component, including a functional description, API documentation, example code, and AC/DC specifications.

Application Notes: PSoC application notes discuss a particular application of PSoC in depth; examples include brushless DC

motor control and on-chip filtering. Application notes often include example projects in addition to the application note document.

Technical Reference Manual: The Technical Reference Manual (TRM) contains all the technical detail you need to use a PSoC device, including a complete description of all PSoC registers. The TRM is available in the Documentation section at www.cypress.com/psoc4.

Online

In addition to print documentation, the Cypress PSoC forums connect you with fellow PSoC users and experts in PSoC from around the world, 24 hours a day, 7 days a week.

Tools

With industry standard cores, programming, and debugging interfaces, the CY8CMBR31xx family is part of a development tool ecosystem. Visit us at www.cypress.com/go/psoccreator for the latest information on the revolutionary, easy to use PSoC Creator IDE, supported third party compilers, programmers, debuggers, and development kits.

Electrical Specifications

Absolute Maximum Ratings

Table 2. Absolute Maximum Ratings^[1]

Spec ID#	Parameter	Description	Min	Typ	Max	Units	Details/ Conditions
SID1	V _{DDD_ABS}	Digital supply relative to V _{SS}	-0.5	-	6	V	
SID2	V _{CCD_ABS}	Direct digital core voltage input relative to V _{SS}	-0.5	-	1.95	V	
SID3	V _{GPIO_ABS}	GPIO voltage	-0.5	-	V _{DD} +0.5	V	
SID4	I _{GPIO_ABS}	Maximum current per GPIO	-25	-	25	mA	
SID5	I _{GPIO_injection}	GPIO injection current, Max for V _{IH} > V _{DDD} , and Min for V _{IL} < V _{SS}	-0.5	-	0.5	mA	Current injected per pin
BID44	ESD_HBM	Electrostatic discharge human body model	2200	-	-	V	
BID45	ESD_CDM	Electrostatic discharge charged device model	500	-	-	V	
BID46	LU	Pin current for latch-up	-140	-	140	mA	

Device Level Specifications

All specifications are valid for -40 °C ≤ TA ≤ 85 °C and TJ ≤ 100 °C, except where noted. Specifications are valid for 1.71 V to 5.5 V, except where noted.

Table 3. DC Specifications

Typical values measured at V_{DD} = 3.3 V and 25 °C.

Spec ID#	Parameter	Description	Min	Typ	Max	Units	Details/ Conditions
SID53	V _{DD}	Power supply input voltage	1.8	-	5.5	V	With regulator enabled
SID255	V _{DD}	Power supply input voltage (V _{CCD} = V _{DD})	1.71	-	1.89	V	Internally unregulated supply
SID54	V _{DDIO}	V _{DDIO} domain supply	1.71	-	V _{DD}	V	
SID55	C _{EFC}	External regulator voltage bypass	-	0.1	-	μF	X5R ceramic or better
SID56	C _{EXC}	Power supply bypass capacitor	-	1	-	μF	X5R ceramic or better
Active Mode, V_{DD} = 1.8 to 5.5 V							
SID9	I _{DD5}	Execute from Flash; CPU at 6 MHz	-	2.0	2.85	mA	
SID12	I _{DD8}	Execute from Flash; CPU at 12 MHz	-	3.2	3.75	mA	
SID16	I _{DD11}	Execute from Flash; CPU at 16 MHz	-	4.0	4.5	mA	
Sleep Mode, V_{DDD} = 1.71 to 5.5 V							
SID25	I _{DD20}	I ² C wakeup, WDT on. 6 MHz	-	1.1	-	mA	
SID25A	I _{DD20A}	I ² C wakeup, WDT on. 12 MHz	-	1.4	-	mA	
Deep Sleep Mode, V_{DD} = 1.8 to 3.6 V (Regulator on)							
SID31	I _{DD26}	I ² C wakeup and WDT on	-	2.5	8.2	μA	

Note

- Usage above the absolute maximum conditions listed in Table 1 may cause permanent damage to the device. Exposure to Absolute Maximum conditions for extended periods of time may affect device reliability. The Maximum Storage Temperature is 150 °C in compliance with JEDEC Standard JESD22-A103, High Temperature Storage Life. When used below Absolute Maximum conditions but above normal operating conditions, the device may not operate to specification.

Table 3. DC Specifications (continued)

Typical values measured at $V_{DD} = 3.3\text{ V}$ and $25\text{ }^\circ\text{C}$.

Spec ID#	Parameter	Description	Min	Typ	Max	Units	Details/ Conditions
Deep Sleep Mode, $V_{DD} = 3.6$ to 5.5 V (Regulator on)							
SID34	I_{DD29}	I ² C wakeup and WDT on	–	2.5	12	μA	
Deep Sleep Mode, $V_{DD} = V_{CCD} = 1.71$ to 1.89 V (Regulator bypassed)							
SID37	I_{DD32}	I ² C wakeup and WDT on	–	2.5	9.2	μA	
XRES Current							
SID307	I_{DD_XR}	Supply current while XRES asserted	–	2	5	mA	

Table 4. AC Specifications

Spec ID#	Parameter	Description	Min	Typ	Max	Units	Details/ Conditions
SID48	F_{CPU}	CPU frequency	DC	–	16	MHz	$1.71 \leq V_{DD} \leq 5.5$
SID49 ^[2]	T_{SLEEP}	Wakeup from Sleep mode	–	0	–	μs	
SID50 ^[2]	$T_{DEEPSLEEP}$	Wakeup from Deep Sleep mode	–	35	–	μs	

GPIO

Table 5. GPIO DC Specifications (referenced to VDDIO for 16-Pin QFN VDDIO pins)

Spec ID#	Parameter	Description	Min	Typ	Max	Units	Details/ Conditions
SID57	$V_{IH}^{[3]}$	Input voltage high threshold	$0.7 \times V_{DDD}$	–	–	V	CMOS Input
SID58	V_{IL}	Input voltage low threshold	–	–	$0.3 \times V_{DDD}$	V	CMOS Input
SID241	$V_{IH}^{[3]}$	LVTTL input, $V_{DDD} < 2.7\text{ V}$	$0.7 \times V_{DDD}$	–	–	V	
SID242	V_{IL}	LVTTL input, $V_{DDD} < 2.7\text{ V}$	–	–	$0.3 \times V_{DDD}$	V	
SID243	$V_{IH}^{[3]}$	LVTTL input, $V_{DDD} \geq 2.7\text{ V}$	2.0	–	–	V	
SID244	V_{IL}	LVTTL input, $V_{DDD} \geq 2.7\text{ V}$	–	–	0.8	V	
SID59	V_{OH}	Output voltage high level	$V_{DDD} - 0.6$	–	–	V	$I_{OH} = 4\text{ mA}$ at $3\text{ V } V_{DDD}$
SID60	V_{OH}	Output voltage high level	$V_{DDD} - 0.5$	–	–	V	$I_{OH} = 1\text{ mA}$ at $1.8\text{ V } V_{DDD}$
SID61	V_{OL}	Output voltage low level	–	–	0.6	V	$I_{OL} = 4\text{ mA}$ at $1.8\text{ V } V_{DDD}$
SID62	V_{OL}	Output voltage low level	–	–	0.6	V	$I_{OL} = 10\text{ mA}$ at $3\text{ V } V_{DDD}$
SID62A	V_{OL}	Output voltage low level	–	–	0.4	V	$I_{OL} = 3\text{ mA}$ at $3\text{ V } V_{DDD}$
SID63	R_{PULLUP}	Pull-up resistor	3.5	5.6	8.5	kΩ	
SID64	$R_{PULLDOWN}$	Pull-down resistor	3.5	5.6	8.5	kΩ	

Notes

- Guaranteed by characterization.
- V_{IH} must not exceed $V_{DDD} + 0.2\text{ V}$.

Table 5. GPIO DC Specifications (referenced to VDDIO for 16-Pin QFN VDDIO pins) (continued)

Spec ID#	Parameter	Description	Min	Typ	Max	Units	Details/ Conditions
SID65	I_{IL}	Input leakage current (absolute value)	–	–	2	nA	25 °C, $V_{DDD} = 3.0\text{ V}$
SID66	C_{IN}	Input capacitance	–	3	7	pF	
SID67 ^[4]	V_{HYSTTL}	Input hysteresis LVTTL	15	40	–	mV	$V_{DDD} \geq 2.7\text{ V}$
SID68 ^[4]	$V_{HYSCMOS}$	Input hysteresis CMOS	$0.05 \times V_{DDD}$	–	–	mV	$V_{DD} < 4.5\text{ V}$
SID68A ^[4]	$V_{HYSCMOS5V5}$	Input hysteresis CMOS	200	–	–	mV	$V_{DD} > 4.5\text{ V}$
SID69 ^[4]	I_{DIODE}	Current through protection diode to V_{DD}/V_{SS}	–	–	100	μA	
SID69A ^[4]	I_{TOT_GPIO}	Maximum total source or sink chip current	–	–	85	mA	

Table 6. GPIO AC Specifications

(Guaranteed by Characterization)

Spec ID#	Parameter	Description	Min	Typ	Max	Units	Details/ Conditions
SID70	T_{RISEF}	Rise time in fast strong mode	2	–	12	ns	3.3 V V_{DDD} , Clload = 25 pF
SID71	T_{FALLF}	Fall time in fast strong mode	2	–	12	ns	3.3 V V_{DDD} , Clload = 25 pF
SID72	T_{RISES}	Rise time in slow strong mode	10	–	60	–	3.3 V V_{DDD} , Clload = 25 pF
SID73	T_{FALLS}	Fall time in slow strong mode	10	–	60	–	3.3 V V_{DDD} , Clload = 25 pF
SID74	$F_{GPIOUT1}$	GPIO F_{OUT} ; $3.3\text{ V} \leq V_{DDD} \leq 5.5\text{ V}$. Fast strong mode.	–	–	16	MHz	90/10%, 25 pF load, 60/40 duty cycle
SID75	$F_{GPIOUT2}$	GPIO F_{OUT} ; $1.71\text{ V} \leq V_{DDD} \leq 3.3\text{ V}$. Fast strong mode.	–	–	16	MHz	90/10%, 25 pF load, 60/40 duty cycle
SID76	$F_{GPIOUT3}$	GPIO F_{OUT} ; $3.3\text{ V} \leq V_{DDD} \leq 5.5\text{ V}$. Slow strong mode.	–	–	7	MHz	90/10%, 25 pF load, 60/40 duty cycle
SID245	$F_{GPIOUT4}$	GPIO F_{OUT} ; $1.71\text{ V} \leq V_{DDD} \leq 3.3\text{ V}$. Slow strong mode.	–	–	3.5	MHz	90/10%, 25 pF load, 60/40 duty cycle
SID246	F_{GPIOIN}	GPIO input operating frequency; $1.71\text{ V} \leq V_{DDD} \leq 5.5\text{ V}$	–	–	16	MHz	90/10% V_{IO}

Note

4. Guaranteed by characterization.

XRES

Table 7. XRES DC Specifications

Spec ID#	Parameter	Description	Min	Typ	Max	Units	Details/ Conditions
SID77	V _{IH}	Input voltage high threshold	0.7 × V _{DDD}	–	–	V	CMOS Input
SID78	V _{IL}	Input voltage low threshold	–	–	0.3 × V _{DDD}	V	CMOS Input
SID79	R _{PULLUP}	Pull-up resistor	3.5	5.6	8.5	kΩ	
SID80	C _{IN}	Input capacitance	–	3	7	pF	
SID81 ^[5]	V _{HYSXRES}	Input voltage hysteresis	–	0.05 × V _{DD}	–	mV	Typical hysteresis is 200 mV for V _{DD} > 4.5V

Table 8. XRES AC Specifications

Spec ID#	Parameter	Description	Min	Typ	Max	Units	Details/ Conditions
SID83 ^[5]	T _{RESETWIDTH}	Reset pulse width	5	–	–	μs	
BID#194 ^[5]	T _{RESETWAKE}	Wake-up time from reset release	–	–	43	ms	

Analog Peripherals

Comparator

Table 9. Comparator DC Specifications

Spec ID#	Parameter	Description	Min	Typ	Max	Units	Details/ Conditions
SID330 ^[5]	I _{CMP1}	Block current, High Bandwidth mode	–	–	110	μA	
SID331 ^[5]	I _{CMP2}	Block current, Low Power mode	–	–	85	μA	
SID332 ^[5]	V _{OFFSET1}	Offset voltage, High Bandwidth mode	–	10	30	mV	
SID333 ^[5]	V _{OFFSET2}	Offset voltage, Low Power mode	–	10	30	mV	
SID334 ^[5]	Z _{CMP}	DC input impedance of comparator	35	–	–	MΩ	
SID338 ^[5]	V _{INP_COMP}	Comparator input range	0	–	3.6	V	Max input voltage is lower of 3.6 V or V _{DD}

Table 10. Comparator AC Specifications (Guaranteed by Characterization)

Spec ID#	Parameter	Description	Min	Typ	Max	Units	Details/ Conditions
SID336 ^[5]	T _{COMP1}	Response Time High Bandwidth mode, 50-mV overdrive	–	–	90	ns	
SID337 ^[5]	T _{COMP2}	Response Time Low Power mode, 50-mV overdrive	–	–	110	ns	

Note

5. Guaranteed by characterization.

CSD

Table 11. CSD and IDAC Block Specifications

Spec ID#	Parameter	Description	Min	Typ	Max	Units	Details/ Conditions
CSD and IDAC Specifications							
SYS.PER#3	VDD_RIPPLE	Max allowed ripple on power supply, DC to 10 MHz	–	–	±50	mV	VDD > 2V (with ripple), 25 °C T _A , Sensitivity = 0.1 pF
SYS.PER#16	VDD_RIPPLE_1.8	Max allowed ripple on power supply, DC to 10 MHz	–	–	±25	mV	VDD > 1.75V (with ripple), 25 °C T _A , Parasitic Capacitance (C _P) < 20 pF, Sensitivity ≥ 0.4 pF
SID.CSD#15	VREF	Voltage reference for CSD and Comparator	1.1	1.2	1.3	V	
SID.CSD#16	IDAC1IDD	IDAC1 (8-bits) block current	–	–	1125	µA	
SID.CSD#17	IDAC2IDD	IDAC2 (7-bits) block current	–	–	1125	µA	
SID308	V _{CSD}	Voltage range of operation	1.71	–	5.5	V	1.8 V ±5% or 1.8 V to 5.5 V
SID308A	VCOMPIDAC	Voltage compliance range of IDAC	0.8	–	V _{DD} – 0.8	V	
SID309	IDAC1 _{DNL}	DNL for 8-bit resolution	–1	–	1	LSB	
SID310	IDAC1 _{INL}	INL for 8-bit resolution	–3	–	3	LSB	
SID311	IDAC2 _{DNL}	DNL for 7-bit resolution	–1	–	1	LSB	
SID312	IDAC2 _{INL}	INL for 7-bit resolution	–3	–	3	LSB	
SID313	SNR	Ratio of counts of finger to noise. Guaranteed by characterization	5	–	–	Ratio	Capacitance range of 9 to 35 pF, 0.1 pF sensitivity
SID314	IDAC1 _{CRT1}	Output current of IDAC1 (8 bits) in high range	–	612	–	µA	
SID314A	IDAC1 _{CRT2}	Output current of IDAC1(8 bits) in low range	–	306	–	µA	
SID315	IDAC2 _{CRT1}	Output current of IDAC2 (7 bits) in high range	–	304.8	–	µA	
SID315A	IDAC2 _{CRT2}	Output current of IDAC2 (7 bits) in low range	–	152.4	–	µA	
SID320	IDAC _{OFFSET}	All zeroes input	–	–	±1	LSB	
SID321	IDAC _{GAIN}	Full-scale error less offset	–	–	±10	%	
SID322	IDAC _{MISMATCH}	Mismatch between IDACs	–	–	7	LSB	
SID323	IDAC _{SET8}	Settling time to 0.5 LSB for 8-bit IDAC	–	–	10	µs	Full-scale transition. No external load.
SID324	IDAC _{SET7}	Settling time to 0.5 LSB for 7-bit IDAC	–	–	10	µs	Full-scale transition. No external load.
SID325	CMOD	External modulator capacitor.	–	2.2	–	nF	5-V rating, X7R or NP0 cap.

Digital Peripherals

Timer Counter Pulse-Width Modulator (TCPWM)

Table 12. TCPWM Specifications

Spec ID	Parameter	Description	Min	Typ	Max	Units	Details/Conditions
SID.TCPWM.1	ITCPWM1	Block current consumption at 3 MHz	–	–	45	μA	All modes (TCPWM)
SID.TCPWM.2	ITCPWM2	Block current consumption at 8 MHz	–	–	145	μA	All modes (TCPWM)
SID.TCPWM.2A	ITCPWM3	Block current consumption at 16 MHz	–	–	160	μA	All modes (TCPWM)
SID.TCPWM.3	TCPWM _{FREQ}	Operating frequency	–	–	F _c	MHz	F _c max = CLK_SYS. Maximum = 16 MHz
SID.TCPWM.4	TPWM _{ENEXT}	Input trigger pulse width	2/F _c	–	–	ns	For all trigger events ^[6]
SID.TCPWM.5	TPWM _{EXT}	Output trigger pulse widths	2/F _c	–	–	ns	Minimum possible width of Overflow, Underflow, and CC (Counter equals Compare value) outputs
SID.TCPWM.5A	TC _{RES}	Resolution of counter	1/F _c	–	–	ns	Minimum time between successive counts
SID.TCPWM.5B	PWM _{RES}	PWM resolution	1/F _c	–	–	ns	Minimum pulse width of PWM Output
SID.TCPWM.5C	Q _{RES}	Quadrature inputs resolution	1/F _c	–	–	ns	Minimum pulse width between Quadrature phase inputs.

I²C

Table 13. Fixed I²C DC Specifications^[7]

Spec ID	Parameter	Description	Min	Typ	Max	Units	Details/Conditions
SID149	I _{I2C1}	Block current consumption at 100 kHz	–	–	25	μA	
SID150	I _{I2C2}	Block current consumption at 400 kHz	–	–	135	μA	
SID.PWR#5	ISBI2C	I ² C enabled in Deep Sleep mode	–	–	2.5	μA	

Table 14. Fixed I²C AC Specifications^[7]

Spec ID	Parameter	Description	Min	Typ	Max	Units	Details/Conditions
SID153	F _{I2C1}	Bit rate	–	–	400	Kbps	

Notes

6. Trigger events can be Stop, Start, Reload, Count, Capture, or Kill depending on which mode of operation is selected.
7. Guaranteed by characterization.

Memory

Table 15. Flash DC Specifications

Spec ID	Parameter	Description	Min	Typ	Max	Units	Details/Conditions
SID173	V _{PE}	Erase and program voltage	1.71	–	5.5	V	

Table 16. Flash AC Specifications

Spec ID	Parameter	Description	Min	Typ	Max	Units	Details/Conditions
SID174	T _{ROWWRITE} ^[8]	Row (block) write time (erase and program)	–	–	20	ms	Row (block) = 128 bytes
SID175	T _{ROWERASE} ^[8]	Row erase time	–	–	13	ms	
SID176	T _{ROWPROGRAM} ^[8]	Row program time after erase	–	–	7	ms	
SID178	T _{BULKERASE} ^[8]	Bulk erase time (16 KB)	–	–	15	ms	
SID180 ^[9]	T _{DEVPROG} ^[8]	Total device program time	–	–	7.5	seconds	
SID181 ^[9]	F _{END}	Flash endurance	100 K	–	–	cycles	
SID182 ^[9]	F _{RET}	Flash retention. T _A ≤ 55 °C, 100 K P/E cycles	20	–	–	years	
SID182A ^[9]		Flash retention. T _A ≤ 85 °C, 10 K P/E cycles	10	–	–	years	

System Resources

Power-on Reset (POR)

Table 17. Power On Reset (PRES)

Spec ID	Parameter	Description	Min	Typ	Max	Units	Details/Conditions
SID.CLK#6	SR_POWER_UP	Power supply slew rate	1	–	67	V/ms	At power-up
SID185 ^[9]	V _{RISEIPOR}	Rising trip voltage	0.80	–	1.5	V	
SID186 ^[9]	V _{FALLIPOR}	Falling trip voltage	0.70	–	1.4	V	

Table 18. Brown-out Detect (BOD) for VCCD

Spec ID	Parameter	Description	Min	Typ	Max	Units	Details/Conditions
SID190 ^[9]	V _{FALLPPOR}	BOD trip voltage in active and sleep modes	1.48	–	1.62	V	
SID192 ^[9]	V _{FALLDPSLP}	BOD trip voltage in Deep Sleep	1.11	–	1.5	V	

Notes

8. It can take as much as 20 milliseconds to write to Flash. During this time the device should not be Reset, or Flash operations will be interrupted and cannot be relied on to have completed. Reset sources include the XRES pin, software resets, CPU lockup states and privilege violations, improper power supply levels, and watchdogs. Make certain that these are not inadvertently activated.
9. Guaranteed by characterization.

SWD Interface

Table 19. SWD Interface Specifications

Spec ID	Parameter	Description	Min	Typ	Max	Units	Details/Conditions
SID213	F_SWDCLK1	$3.3\text{ V} \leq V_{DD} \leq 5.5\text{ V}$	–	–	14	MHz	SWDCLK \leq 1/3 CPU clock frequency
SID214	F_SWDCLK2	$1.71\text{ V} \leq V_{DD} \leq 3.3\text{ V}$	–	–	7	MHz	SWDCLK \leq 1/3 CPU clock frequency
SID215 ^[10]	T_SWDI_SETUP	$T = 1/f\text{ SWDCLK}$	0.25*T	–	–	ns	
SID216 ^[10]	T_SWDI_HOLD	$T = 1/f\text{ SWDCLK}$	0.25*T	–	–	ns	
SID217 ^[10]	T_SWDO_VALID	$T = 1/f\text{ SWDCLK}$	–	–	0.5*T	ns	
SID217A ^[10]	T_SWDO_HOLD	$T = 1/f\text{ SWDCLK}$	1	–	–	ns	

Internal Main Oscillator

Table 20. IMO DC Specifications

(Guaranteed by Design)

Spec ID	Parameter	Description	Min	Typ	Max	Units	Details/Conditions
SID218	I _{IMO1}	IMO operating current at 48 MHz	–	–	250	μA	
SID219	I _{IMO2}	IMO operating current at 24 MHz	–	–	180	μA	

Table 21. IMO AC Specifications

Spec ID	Parameter	Description	Min	Typ	Max	Units	Details/Conditions
SID223	F _{IMOTOL1}	Frequency variation at 24 and 32 MHz (trimmed)	–	–	±2	%	$2\text{ V} \leq V_{DD} \leq 5.5\text{ V}$, and $-25\text{ °C} \leq T_A \leq 85\text{ °C}$
SID223A	F _{IMOTOLVCCD}	Frequency variation at 24 and 32 MHz (trimmed)	–	–	±4	%	All other conditions
SID226	T _{STARTIMO}	IMO startup time	–	–	7	μs	
SID228	T _{JITRMSIMO2}	RMS jitter at 24 MHz	–	145	–	ps	

Internal Low-Speed Oscillator

Table 22. ILO DC Specifications

(Guaranteed by Design)

Spec ID	Parameter	Description	Min	Typ	Max	Units	Details/Conditions
SID231 ^[10]	I _{ILO1}	ILO operating current	–	0.3	1.05	μA	
SID233 ^[10]	I _{ILOLEAK}	ILO leakage current	–	2	15	nA	

Table 23. ILO AC Specifications

Spec ID	Parameter	Description	Min	Typ	Max	Units	Details/Conditions
SID234 ^[10]	T _{STARTILO1}	ILO startup time	–	–	2	ms	
SID236 ^[10]	T _{ILODUTY}	ILO duty cycle	40	50	60	%	
SID237	F _{ILOTRIM1}	ILO frequency range	20	40	80	kHz	

Note

10. Guaranteed by characterization.

Table 24. External Clock Specifications

Spec ID	Parameter	Description	Min	Typ	Max	Units	Details/Conditions
SID305 ^[11]	ExtClkFreq	External clock input frequency	0	–	16	MHz	
SID306 ^[11]	ExtClkDuty	Duty cycle; measured at $V_{DD}/2$	45	–	55	%	

Table 25. Block Specs

Spec ID	Parameter	Description	Min	Typ	Max	Units	Details/Conditions
SID262 ^[11]	T _{CLKSWITCH}	System clock source switching time	3	–	4	Periods	

Note

11. Guaranteed by characterization.

Ordering Information

The CY8CMBR31xx part numbers and features are listed in the following table.

MPN	Package	Flash (Bytes)	SRAM (Bytes)	CapSense Sensors	Liquid Tolerance	Proximity Sensing	Glove Touch	Stylus Support
CY8CMBR3145-LQXI	16-pin QFN	8K	1K	8	Yes	No	No	No
CY8CMBR3145-LQXIT	16-pin QFN (Tape and Reel)	8K	1K	8	Yes	No	No	No
CY8CMBR3150-LQXI	16-pin QFN	8K	1K	8	Yes	Yes	Yes	No
CY8CMBR3150-LQXIT	16-pin QFN (Tape and Reel)	8K	1K	8	Yes	Yes	Yes	No
CY8CMBR3155-LQXI	16-pin QFN	8K	1K	8	Yes	Yes	Yes	Yes - 2.5 mm
CY8CMBR3155-LQXIT	16-pin QFN (Tape and Reel)	8K	1K	8	Yes	Yes	Yes	Yes- 2.5 mm
CY8CMBR3175-LQXI	16-pin QFN	8K	1K	8	Yes	Yes	Yes	Yes - 1 mm
CY8CMBR3175-LQXIT	16-pin QFN (Tape and Reel)	8K	1K	8	Yes	Yes	Yes	Yes - 1 mm
CY8CMBR3195-LQXI	16-pin QFN	16K	2K	8	Yes	Yes	Yes	Yes - 1 mm
CY8CMBR3195-LQXIT	16-pin QFN (Tape and Reel)	16K	2K	8	Yes	Yes	Yes	Yes - 1 mm

Packaging

Table 26. Package Characteristics

Parameter	Description	Conditions	Min	Typ	Max	Units
T _A	Operating ambient temperature		-40	25.00	85	°C
T _J	Operating junction temperature		-40	-	100	°C
T _{JA}	Package θ _{JA} (16-pin QFN)		-	49.6	-	°C/Watt

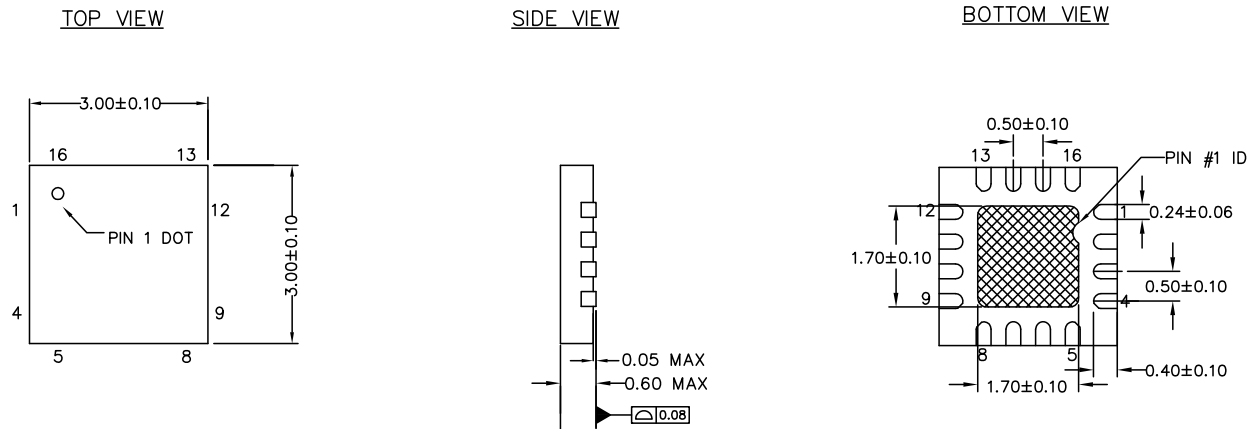
Table 27. Solder Reflow Peak Temperature

Package	Maximum Peak Temperature	Maximum Time at Peak Temperature
All	260 °C	30 seconds


Table 28. Package Moisture Sensitivity Level (MSL), IPC/JEDEC J-STD-020

Package	MSL
All	MSL 3

Figure 3. 16-pin QFN 3 × 3 × 0.6 mm (Sawn) Package Outline



NOTES

-  HATCH AREA IS SOLDERABLE EXPOSED PAD
- REFERENCE JEDEC # MO-248
- ALL DIMENSIONS ARE IN MILLIMETERS
- PACKAGE WEIGHT: See Cypress Package Material Declaration Datasheet (PMDD) posted on the Cypress web

001-87187 *A

The center pad on the QFN package should be connected to ground (VSS) for best mechanical, thermal, and electrical performance. If not connected to ground, it should be electrically floating and not connected to any other signal.

Acronyms

Table 29. Acronyms Used in this Document

Acronym	Description
abus	analog local bus
ADC	analog-to-digital converter
AG	analog global
AHB	AMBA (advanced microcontroller bus architecture) high-performance bus, an ARM data transfer bus
ALU	arithmetic logic unit
AMUXBUS	analog multiplexer bus
API	application programming interface
APSR	application program status register
ARM®	advanced RISC machine, a CPU architecture
ATM	automatic thump mode
BW	bandwidth
CAN	Controller Area Network, a communications protocol
CMRR	common-mode rejection ratio
CPU	central processing unit
CRC	cyclic redundancy check, an error-checking protocol
DAC	digital-to-analog converter, see also IDAC, VDAC
DFB	digital filter block
DIO	digital input/output, GPIO with only digital capabilities, no analog. See GPIO.
DMIPS	Dhrystone million instructions per second
DMA	direct memory access, see also TD
DNL	differential nonlinearity, see also INL
DNU	do not use
DR	port write data registers
DSI	digital system interconnect
DWT	data watchpoint and trace
ECC	error correcting code
ECO	external crystal oscillator
EEPROM	electrically erasable programmable read-only memory
EMI	electromagnetic interference
EMIF	external memory interface
EOC	end of conversion
EOF	end of frame
EPSR	execution program status register
ESD	electrostatic discharge

Table 29. Acronyms Used in this Document (continued)

Acronym	Description
ETM	embedded trace macrocell
FIR	finite impulse response, see also IIR
FPB	flash patch and breakpoint
FS	full-speed
GPIO	general-purpose input/output, applies to a PSoC pin
HVI	high-voltage interrupt, see also LVI, LVD
IC	integrated circuit
IDAC	current DAC, see also DAC, VDAC
IDE	integrated development environment
I ² C, or IIC	Inter-Integrated Circuit, a communications protocol
IIR	infinite impulse response, see also FIR
ILO	internal low-speed oscillator, see also IMO
IMO	internal main oscillator, see also ILO
INL	integral nonlinearity, see also DNL
I/O	input/output, see also GPIO, DIO, SIO, USBIO
IPOR	initial power-on reset
IPSR	interrupt program status register
IRQ	interrupt request
ITM	instrumentation trace macrocell
LCD	liquid crystal display
LIN	Local Interconnect Network, a communications protocol.
LR	link register
LUT	lookup table
LVD	low-voltage detect, see also LVI
LVI	low-voltage interrupt, see also HVI
LVTTTL	low-voltage transistor-transistor logic
MAC	multiply-accumulate
MCU	microcontroller unit
MISO	master-in slave-out
NC	no connect
NMI	nonmaskable interrupt
NRZ	non-return-to-zero
NVIC	nested vectored interrupt controller
NVL	nonvolatile latch, see also WOL
opamp	operational amplifier
PAL	programmable array logic, see also PLD

Table 29. Acronyms Used in this Document *(continued)*

Acronym	Description
PC	program counter
PCB	printed circuit board
PGA	programmable gain amplifier
PHUB	peripheral hub
PHY	physical layer
PICU	port interrupt control unit
PLA	programmable logic array
PLD	programmable logic device, see also PAL
PLL	phase-locked loop
PMDD	package material declaration data sheet
POR	power-on reset
PRES	precise power-on reset
PRS	pseudo random sequence
PS	port read data register
PSoC®	Programmable System-on-Chip™
PSRR	power supply rejection ratio
PWM	pulse-width modulator
RAM	random-access memory
RISC	reduced-instruction-set computing
RMS	root-mean-square
RTC	real-time clock
RTL	register transfer language
RTR	remote transmission request
RX	receive
SAR	successive approximation register
SC/CT	switched capacitor/continuous time
SCL	I ² C serial clock
SDA	I ² C serial data
S/H	sample and hold
SINAD	signal to noise and distortion ratio
SIO	special input/output, GPIO with advanced features. See GPIO.
SOC	start of conversion
SOF	start of frame
SPI	Serial Peripheral Interface, a communications protocol
SR	slew rate
SRAM	static random access memory
SRES	software reset
SWD	serial wire debug, a test protocol

Table 29. Acronyms Used in this Document *(continued)*

Acronym	Description
SWV	single-wire viewer
TD	transaction descriptor, see also DMA
THD	total harmonic distortion
TIA	transimpedance amplifier
TRM	technical reference manual
TTL	transistor-transistor logic
TX	transmit
UART	Universal Asynchronous Transmitter Receiver, a communications protocol
UDB	universal digital block
USB	Universal Serial Bus
USBIO	USB input/output, PSoC pins used to connect to a USB port
VDAC	voltage DAC, see also DAC, IDAC
WDT	watchdog timer
WOL	write once latch, see also NVL
WRES	watchdog timer reset
XRES	external reset I/O pin
XTAL	crystal

Document Conventions

Units of Measure

Table 30. Units of Measure

Symbol	Unit of Measure
°C	degrees Celsius
dB	decibel
fF	femto farad
Hz	hertz
KB	1024 bytes
kbps	kilobits per second
Khr	kilohour
kHz	kilohertz
kΩ	kilo ohm
ksps	kilosamples per second
LSB	least significant bit
Mbps	megabits per second
MHz	megahertz
MΩ	mega-ohm
Msps	megasamples per second
μA	microampere
μF	microfarad
μH	microhenry
μs	microsecond
μV	microvolt
μW	microwatt
mA	milliampere
ms	millisecond
mV	millivolt
nA	nanoampere
ns	nanosecond
nV	nanovolt
Ω	ohm
pF	picofarad
ppm	parts per million
ps	picosecond
s	second
sps	samples per second
sqrtHz	square root of hertz
V	volt

Revision History

Description Title: CY8CMBR3145,CY8CMBR3150, CY8CMBR3155, CY8CMBR3175, CY8CMBR3195 Datasheet CapSense® Controllers for Mobile Solutions Document Number: 001-90144				
Revision	ECN	Orig. of Change	Submission Date	Description of Change
**	4199359	WKA	11/27/2013	New datasheet
*A	4283569	WKA	02/26/2014	<p>Added note stating Low Power 1.71V to 5.5V operation in Features. Updated IMO tolerance setting in IMO Clock Source. Changed ILO oscillator from 32 kHz to 40 kHz in ILO Clock Source. Updated Low-power Comparators section. Changed internally regulated voltage range from 2.0 to 5.5 V to 1.8 to 5.5 V. Corrected max value of BID46 to 140. Updated the description for SID255. Added SID35 in DC Specifications. Added BID194 in XRES AC Specifications. Added SID338 in Comparator DC Specifications. Added specs for max allowed ripple on power supply in CSD and IDAC Block Specifications. Added SID.CSD15, SID.CSD16, and SID.CSD17 in CSD and IDAC Block Specifications. Modified description and conditions for SID223 and SID223A. Modified description for SID231. Updated SID237 description and values. Updated SID262 description and removed SID256 from Block Specs.</p>
*B	4348760	WKA	05/06/2014	<p>Removed reference to single-cycle SRAM access using the flash accelerator.</p> <p>Added note to clarify that low-power comparator is also used for CapSense operation in Low-power Comparators.</p> <p>Electrical Specifications: Added max I_{DD} data in Active mode for CPU running at 6, 12, and 16 MHz. Added max I_{DD} data in Deep Sleep mode for 1.8 to 3.6 V, 3.6 to 5.5 V, and 1.71 to 1.89 V. Added max I_{DD} data for Comparator block current in High Bandwidth and Low Power modes. Changed Comparator response time in both modes to match characterization data. Unified data table for Timer-Counter-Pulse-Width-Modulator (TCPWM) block for common specs. Added Block current consumption at 3, 8, and 16 MHz from characterization. Added spec for Quadrature input resolution and list of trigger events. Changed I²C Block current at 100 kHz to match characterization data. Added Deep Sleep mode current consumption. Added Flash bulk erase time and total device program time specifications. Added power supply slew rate specification. Changed minimum POR and BOD falling trip voltage spec and added BOD max trip voltage. Changed IMO operating current at 48 MHz and 24 MHz to match characterization data. Added clarifying note in IMO frequency variation to state valid frequency settings and added IMO start-up time spec. Corrected typo in Units for Comparator offset voltage in Low Power mode; changed from V (Volts) to mV (millivolts).</p> <p>Removed T_{JC} row from Package Characteristics.</p> <p>Changed datasheet status to Final.</p>

Description Title: CY8CMBR3145, CY8CMBR3150, CY8CMBR3155, CY8CMBR3175, CY8CMBR3195 Datasheet CapSense® Controllers for Mobile Solutions Document Number: 001-90144				
*C	4564214	DCHE/ JOCA	11/07/2014	<p>Updated General Description and Features. Added CY8CMBR3150 and CY8CMBR3195 parts. Updated title to “CapSense® Controllers for Mobile Solutions”. Changed references to CY8CMBR31x5 to CY8CMBR31xx throughout the document. Updated Features. Added Target Applications. Updated flash to 16 kB and SRAM to 2 kB. Modified average current consumption to 5 µA per sensor. Updated CY8CMBR31xx Pin Descriptions and Diagram. Added CY8CMBR3195 and CY8CMBR3150 part information in Ordering Information.</p>

Sales, Solutions, and Legal Information

Worldwide Sales and Design Support

Cypress maintains a worldwide network of offices, solution centers, manufacturer's representatives, and distributors. To find the office closest to you, visit us at [Cypress Locations](#).

Products

Automotive	cypress.com/go/automotive
Clocks & Buffers	cypress.com/go/clocks
Interface	cypress.com/go/interface
Lighting & Power Control	cypress.com/go/powerpsoc cypress.com/go/plc
Memory	cypress.com/go/memory
PSoC	cypress.com/go/psoc
Touch Sensing	cypress.com/go/touch
USB Controllers	cypress.com/go/USB
Wireless/RF	cypress.com/go/wireless

PSoC[®] Solutions

psoc.cypress.com/solutions
PSoC 1 | PSoC 3 | PSoC 4 | PSoC 5LP

Cypress Developer Community

[Community](#) | [Forums](#) | [Blogs](#) | [Video](#) | [Training](#)

Technical Support

cypress.com/go/support

© Cypress Semiconductor Corporation, 2013-2014. The information contained herein is subject to change without notice. Cypress Semiconductor Corporation assumes no responsibility for the use of any circuitry other than circuitry embodied in a Cypress product. Nor does it convey or imply any license under patent or other rights. Cypress products are not warranted nor intended to be used for medical, life support, life saving, critical control or safety applications, unless pursuant to an express written agreement with Cypress. Furthermore, Cypress does not authorize its products for use as critical components in life-support systems where a malfunction or failure may reasonably be expected to result in significant injury to the user. The inclusion of Cypress products in life-support systems application implies that the manufacturer assumes all risk of such use and in doing so indemnifies Cypress against all charges.

Any Source Code (software and/or firmware) is owned by Cypress Semiconductor Corporation (Cypress) and is protected by and subject to worldwide patent protection (United States and foreign), United States copyright laws and international treaty provisions. Cypress hereby grants to licensee a personal, non-exclusive, non-transferable license to copy, use, modify, create derivative works of, and compile the Cypress Source Code and derivative works for the sole purpose of creating custom software and or firmware in support of licensee product to be used only in conjunction with a Cypress integrated circuit as specified in the applicable agreement. Any reproduction, modification, translation, compilation, or representation of this Source Code except as specified above is prohibited without the express written permission of Cypress.

Disclaimer: CYPRESS MAKES NO WARRANTY OF ANY KIND, EXPRESS OR IMPLIED, WITH REGARD TO THIS MATERIAL, INCLUDING, BUT NOT LIMITED TO, THE IMPLIED WARRANTIES OF MERCHANTABILITY AND FITNESS FOR A PARTICULAR PURPOSE. Cypress reserves the right to make changes without further notice to the materials described herein. Cypress does not assume any liability arising out of the application or use of any product or circuit described herein. Cypress does not authorize its products for use as critical components in life-support systems where a malfunction or failure may reasonably be expected to result in significant injury to the user. The inclusion of Cypress' product in a life-support systems application implies that the manufacturer assumes all risk of such use and in doing so indemnifies Cypress against all charges.

Use may be limited by and subject to the applicable Cypress software license agreement.