



**PSoC<sup>®</sup> Creator<sup>™</sup>**

# PSoC 4 System Reference Guide

**cy\_boot Component v5.90**

**Document Number: 002-28379 Rev. \*\***

Cypress Semiconductor  
198 Champion Court  
San Jose, CA 95134-1709  
<http://www.cypress.com>

© Cypress Semiconductor Corporation, 2019. This document is the property of Cypress Semiconductor Corporation and its subsidiaries, including Spansion LLC (“Cypress”). This document, including any software or firmware included or referenced in this document (“Software”), is owned by Cypress under the intellectual property laws and treaties of the United States and other countries worldwide. Cypress reserves all rights under such laws and treaties and does not, except as specifically stated in this paragraph, grant any license under its patents, copyrights, trademarks, or other intellectual property rights. If the Software is not accompanied by a license agreement and you do not otherwise have a written agreement with Cypress governing the use of the Software, then Cypress hereby grants you a personal, non-exclusive, nontransferable license (without the right to sublicense) (1) under its copyright rights in the Software (a) for Software provided in source code form, to modify and reproduce the Software solely for use with Cypress hardware products, only internally within your organization, and (b) to distribute the Software in binary code form externally to end users (either directly or indirectly through resellers and distributors), solely for use on Cypress hardware product units, and (2) under those claims of Cypress’s patents that are infringed by the Software (as provided by Cypress, unmodified) to make, use, distribute, and import the Software solely for use with Cypress hardware products. Any other use, reproduction, modification, translation, or compilation of the Software is prohibited.

TO THE EXTENT PERMITTED BY APPLICABLE LAW, CYPRESS MAKES NO WARRANTY OF ANY KIND, EXPRESS OR IMPLIED, WITH REGARD TO THIS DOCUMENT OR ANY SOFTWARE OR ACCOMPANYING HARDWARE, INCLUDING, BUT NOT LIMITED TO, THE IMPLIED WARRANTIES OF MERCHANTABILITY AND FITNESS FOR A PARTICULAR PURPOSE. To the extent permitted by applicable law, Cypress reserves the right to make changes to this document without further notice. Cypress does not assume any liability arising out of the application or use of any product or circuit described in this document. Any information provided in this document, including any sample design information or programming code, is provided only for reference purposes. It is the responsibility of the user of this document to properly design, program, and test the functionality and safety of any application made of this information and any resulting product. Cypress products are not designed, intended, or authorized for use as critical components in systems designed or intended for the operation of weapons, weapons systems, nuclear installations, life-support devices or systems, other medical devices or systems (including resuscitation equipment and surgical implants), pollution control or hazardous substances management, or other uses where the failure of the device or system could cause personal injury, death, or property damage (“Unintended Uses”). A critical component is any component of a device or system whose failure to perform can be reasonably expected to cause the failure of the device or system, or to affect its safety or effectiveness. Cypress is not liable, in whole or in part, and you shall and hereby do release Cypress from any claim, damage, or other liability arising from or related to all Unintended Uses of Cypress products. You shall indemnify and hold Cypress harmless from and against all claims, costs, damages, and other liabilities, including claims for personal injury or death, arising from or related to any Unintended Uses of Cypress products.

Cypress, the Cypress logo, Spansion, the Spansion logo, and combinations thereof, WICED, PSoC, CapSense, EZ-USB, F-RAM, and Traveo are trademarks or registered trademarks of Cypress in the United States and other countries. For a more complete list of Cypress trademarks, visit [cypress.com](http://cypress.com). Other names and brands may be claimed as property of their respective owners.

# Contents



|          |   |           |
|----------|---|-----------|
| <b>1</b> | <b>Introduction.....</b>                      | <b>9</b>  |
|          | Migrating from Previous cy_boot Versions..... | 9         |
|          | Conventions.....                              | 10        |
|          | References.....                               | 10        |
|          | Sample Firmware Source Code.....              | 10        |
|          | Definitions.....                              | 10        |
|          | Revision History.....                         | 12        |
| <b>2</b> | <b>Standard Types, APIs, and Defines.....</b> | <b>13</b> |
|          | Base Types.....                               | 13        |
|          | Hardware Register Types.....                  | 13        |
|          | Compiler Defines.....                         | 13        |
|          | Return Codes.....                             | 14        |
|          | Interrupt Types and Macros.....               | 14        |
|          | Interrupt vector address type.....            | 14        |
|          | Intrinsic Defines.....                        | 14        |
|          | Device Version Defines.....                   | 15        |
|          | Variable Attributes.....                      | 15        |
|          | Instance APIs.....                            | 16        |
|          | General APIs.....                             | 16        |
|          | Low Power APIs.....                           | 16        |
|          | PSoC Creator Generated Defines.....           | 17        |
|          | Project Type.....                             | 17        |
|          | Chip Configuration Mode.....                  | 17        |
|          | Debugging Mode.....                           | 18        |
|          | Chip Protection Mode.....                     | 18        |
|          | Stack and Heap.....                           | 18        |
|          | Voltage Settings.....                         | 18        |
|          | System Clock Frequency.....                   | 19        |
|          | JTAG/Silicon ID.....                          | 19        |
|          | IP Block Information.....                     | 19        |
| <b>3</b> | <b>Clocking.....</b>                          | <b>20</b> |
|          | PSoC Creator Clocking Implementation.....     | 20        |
|          | Overview.....                                 | 20        |

|          |   |           |
|----------|---|-----------|
|          | Clock Connectivity .....  | 21        |
|          | Clock Synchronization .....   | 21        |
|          | Routed Clock Implementation .....   | 21        |
|          | Using Asynchronous Clocks.....  | 25        |
|          | Clock Crossing .....  | 25        |
|          | Gated Clocks.....   | 26        |
|          | Fixed-Function Clocking .....   | 27        |
|          | UDB-Based Clocking .....  | 27        |
|          | Changing Clocks in Run-time.....  | 28        |
|          | APIs .....  | 28        |
|          | High Frequency Clocks.....  | 28        |
|          | Low Frequency Clocks .....  | 32        |
|          | External Crystal Oscillator (ECO) APIs.....                                 | 33        |
|          | Phase-Locked Loop(PLL) APIs (PSoC 4200L / PSoC 4100S Plus / PSoC 4500)..... | 36        |
|          | Low Voltage Analog Boost Clocks .....                                       | 46        |
| <b>4</b> | <b>Power Management .....</b>   | <b>47</b> |
|          | Implementation .....  | 47        |
|          | Clock Configuration (PSoC 4100 BLE / PSoC 4200 BLE / PSoC BLE).....         | 48        |
|          | Power Management APIs .....   | 48        |
| <b>5</b> | <b>Interrupts.....</b>  | <b>51</b> |
|          | APIs .....  | 51        |
|          | CyGlobalIntEnable.....  | 51        |
|          | CyGlobalIntDisable .....  | 51        |
|          | uint32 CyDisableInts() .....  | 51        |
|          | void CyEnableInts(uint32 mask).....   | 51        |
|          | void CyIntEnable(uint8 number).....   | 51        |
|          | void CyIntDisable(uint8 number) .....                                       | 52        |
|          | uint8 CyIntGetState(uint8 number).....                                      | 52        |
|          | cyisraddress CyIntSetVector(uint8 number, cyisraddress address).....        | 52        |
|          | cyisraddress CyIntGetVector(uint8 number) .....                             | 52        |
|          | cyisraddress CyIntSetSysVector(uint8 number, cyisraddress address) .....    | 53        |
|          | cyisraddress CyIntGetSysVector(uint8 number) .....                          | 53        |
|          | void CyIntSetPriority(uint8 number, uint8 priority) .....                   | 53        |
|          | uint8 CyIntGetPriority(uint8 number) .....                                  | 54        |
|          | void CyIntSetPending(uint8 number).....                                     | 54        |
|          | void CyIntClearPending(uint8 number).....                                   | 54        |
| <b>6</b> | <b>Pins.....</b>  | <b>55</b> |
|          | PSoC 4 APIs.....  | 55        |
|          | CY_SYS_PINS_READ_PIN(portPS, pin) .....                                     | 55        |
|          | CY_SYS_PINS_SET_PIN(portDR, pin).....                                       | 55        |
|          | CY_SYS_PINS_CLEAR_PIN(portDR, pin).....                                     | 56        |

|          |   |           |
|----------|---|-----------|
|          | CY_SYS_PINS_SET_DRIVE_MODE(portPC, pin, mode).....                        | 56        |
|          | CY_SYS_PINS_READ_DRIVE_MODE(portPC, pin).....                             | 57        |
| <b>7</b> | <b>Register Access .....</b>  | <b>58</b> |
|          | APIs .....  | 58        |
|          | uint8 CY_GET_REG8(uint32 reg).....  | 58        |
|          | void CY_SET_REG8(uint32 reg, uint8 value).....                            | 58        |
|          | uint16 CY_GET_REG16(uint32 reg).....                                      | 59        |
|          | void CY_SET_REG16(uint32 reg, uint16 value).....                          | 59        |
|          | uint32 CY_GET_REG24(uint32 reg).....                                      | 59        |
|          | void CY_SET_REG24(uint32 reg, uint32 value).....                          | 59        |
|          | uint32 CY_GET_REG32(uint32 reg).....                                      | 59        |
|          | void CY_SET_REG32(uint32 reg, uint32 value).....                          | 59        |
|          | uint8 CY_GET_XTND_REG8(uint32 reg).....                                   | 60        |
|          | void CY_SET_XTND_REG8(uint32 reg, uint8 value).....                       | 60        |
|          | uint16 CY_GET_XTND_REG16(uint32 reg).....                                 | 60        |
|          | void CY_SET_XTND_REG16(uint32 reg, uint16 value).....                     | 60        |
|          | uint32 CY_GET_XTND_REG24(uint32 reg).....                                 | 60        |
|          | void CY_SET_XTND_REG24(uint32 reg, uint32 value).....                     | 60        |
|          | uint32 CY_GET_XTND_REG32(uint32 reg).....                                 | 61        |
|          | void CY_SET_XTND_REG32(uint32 reg, uint32 value).....                     | 61        |
|          | Bit Field Manipulation.....   | 61        |
|          | CY_GET_REG8_FIELD(registerName, bitFieldName).....                        | 62        |
|          | CY_SET_REG8_FIELD(registerName, bitFieldName, value).....                 | 62        |
|          | CY_CLEAR_REG8_FIELD(registerName, bitFieldName).....                      | 63        |
|          | CY_GET_REG16_FIELD(registerName, bitFieldName).....                       | 63        |
|          | CY_SET_REG16_FIELD(registerName, bitFieldName, value).....                | 64        |
|          | CY_CLEAR_REG16_FIELD(registerName, bitFieldName).....                     | 64        |
|          | CY_GET_REG32_FIELD(registerName, bitFieldName).....                       | 65        |
|          | CY_SET_REG32_FIELD(registerName, bitFieldName, value).....                | 65        |
|          | CY_CLEAR_REG32_FIELD(registerName, bitFieldName).....                     | 66        |
|          | CY_GET_FIELD(regValue, bitFieldName).....                                 | 66        |
|          | CY_SET_FIELD(regValue, bitFieldName, value).....                          | 67        |
| <b>8</b> | <b>Flash.....</b>   | <b>68</b> |
|          | Memory Architecture .....   | 68        |
|          | Working with Flash.....   | 68        |
|          | APIs .....  | 70        |
|          | uint32 CySysFlashWriteRow(uint32 rowNum, const uint8 rowData[]).....      | 70        |
|          | void CySysFlashSetWaitCycles(uint32 freq).....                            | 70        |
|          | uint32 CySysFlashWriteUserRow(uint32 rowNum, uint8 *rowData).....         | 71        |
|          | uint32 CySysFlashStartWriteRow(uint32 rowNum, const uint8 rowData[])..... | 72        |
|          | uint32 CySysFlashGetWriteRowStatus(void).....                             | 73        |

|           |  |           |
|-----------|--|-----------|
|           | void CySysFlashResumeWriteRow(void) .....                          | 73        |
| <b>9</b>  | <b>System Functions .....</b>                                      | <b>74</b> |
|           | General APIs .....   | 74        |
|           | uint8 CyEnterCriticalSection(void).....                            | 74        |
|           | void CyExitCriticalSection(uint8 savedIntrStatus).....             | 74        |
|           | void CYASSERT(uint32 expr) .....                                   | 74        |
|           | void CyHalt(uint8 reason) .....                                    | 75        |
|           | void CySoftwareReset(void).....                                    | 75        |
|           | void CyGetUniqueld(uint32* uniqueld).....                          | 75        |
|           | void CySysSetRamAccessArbPriority (uint32 source) .....            | 75        |
|           | void CySysSetFlashAccessArbPriority(uint32 source).....            | 75        |
|           | void CySysSetDmacAccessArbPriority(uint32 source) .....            | 76        |
|           | void CySysSetPeripheralAccessArbPriority(uint32 source).....       | 76        |
|           | void CySysEnablePumpClock (uint32 enable).....                     | 76        |
|           | CyDelay APIs.....  | 76        |
|           | void CyDelay(uint32 milliseconds) .....                            | 77        |
|           | void CyDelayUs(uint16 microseconds).....                           | 77        |
|           | void CyDelayFreq(uint32 freq) .....                                | 77        |
|           | void CyDelayCycles(uint32 cycles) .....                            | 77        |
|           | Voltage Detect APIs .....  | 78        |
|           | void CySysLvdEnable(uint32 threshold).....                         | 78        |
|           | void CySysLvdDisable(void) .....                                   | 78        |
|           | uint32 CySysLvdGetInterruptSource(void) .....                      | 78        |
|           | void CySysLvdClearInterrupt(void).....                             | 79        |
|           | Programmable Voltage Reference (All PSoC 4 devices with PRB) ..... | 79        |
|           | void CySysPrbSetGlobalVrefSource (uint32 source) .....             | 79        |
|           | void CySysPrbSetBgGain (uint32 gain).....                          | 79        |
|           | void CySysPrbSetGlobalVrefVoltage (uint32 voltageTap) .....        | 80        |
|           | void CySysPrbEnableDeepsleepVddaRef (void) .....                   | 80        |
|           | void CySysPrbDisableDeepsleepVddaRef (void) .....                  | 81        |
|           | void CySysPrbEnableVddaRef (void).....                             | 81        |
|           | void CySysPrbDisableVddaRef (void) .....                           | 81        |
|           | void CySysPrbSetBgBufferTrim(int32 bgTrim).....                    | 81        |
|           | int32 CySysPrbGetBgBufferTrim (void) .....                         | 81        |
|           | Macro Callbacks .....  | 82        |
|           | Watchdog Timer (WDT) APIs .....                                    | 82        |
| <b>10</b> | <b>Startup and Linking .....</b>                                   | <b>83</b> |
|           | GCC Implementation .....   | 84        |
|           | Realview Implementation (applicable for MDK) .....                 | 84        |
|           | CMSIS Support .....  | 85        |
|           | High-Level I/O Functions.....                                      | 86        |

|           |  |            |
|-----------|--|------------|
|           | The printf() Usage Model .....                           | 86         |
|           | Preservation of Reset Status.....                        | 87         |
|           | uint32 CySysGetResetReason(uint32 reason) .....          | 87         |
|           | API Memory Usage.....                                    | 87         |
|           | PSoC 4000 (GCC).....                                     | 87         |
|           | PSoC 4100/PSoC 4200 (GCC).....                           | 87         |
|           | PSoC 4100 BLE/PSoC BLE/PSoC 4200 BLE (GCC) .....         | 88         |
|           | PSoC 4100M /PSoC 4200M (GCC) .....                       | 88         |
|           | PSoC 4200L (GCC).....                                    | 88         |
|           | PSoC Analog Coprocessor (GCC) .....                      | 88         |
|           | PSoC 4000S (GCC) .....                                   | 88         |
|           | PSoC 4100S (GCC) .....                                   | 88         |
|           | PSoC 4100S Plus (GCC).....                               | 88         |
|           | PSoC 4500 (GCC).....                                     | 89         |
|           | Performance.....   | 89         |
|           | Functions Execution Time.....                            | 89         |
|           | Critical Sections Duration.....                          | 89         |
| <b>11</b> | <b>MISRA Compliance .....</b>                            | <b>90</b>  |
|           | Verification Environment .....                           | 90         |
|           | Project Deviations .....                                 | 91         |
|           | Documentation Related Rules.....                         | 92         |
|           | PSoC Creator Generated Sources Deviations .....          | 93         |
|           | cy_boot Component-Specific Deviations <sup>¶</sup> ..... | 94         |
| <b>12</b> | <b>System Timer (SysTick).....</b>                       | <b>96</b>  |
|           | Functional Description .....                             | 96         |
|           | APIs .....   | 96         |
|           | Macro .....  | 96         |
|           | Functions.....   | 96         |
|           | Global Variables .....                                   | 100        |
| <b>13</b> | <b>cy_boot Component Changes.....</b>                    | <b>101</b> |
|           | Version 5.90.....  | 101        |
|           | Version 5.80.....  | 101        |
|           | Version 5.70.....  | 101        |
|           | Version 5.60.....  | 101        |
|           | Version 5.50.....  | 102        |
|           | Version 5.40.....  | 102        |
|           | Version 5.30.....  | 102        |
|           | Version 5.20.....  | 103        |
|           | Version 5.10.....  | 103        |
|           | Version 5.0 .....  | 104        |
|           | Version 4.20.....  | 105        |

|                              |     |
|------------------------------|-----|
| Version 4.11 .....           | 108 |
| Version 4.10.....            | 108 |
| Version 4.0 .....            | 109 |
| Version 3.40 and Older ..... | 110 |
| Version 3.40 .....           | 110 |
| Version 3.30 .....           | 110 |
| Version 3.20 .....           | 111 |
| Version 3.10 .....           | 111 |
| Version 3.0 .....            | 111 |
| Version 2.40.....            | 113 |
| Version 2.30 and Older ..... | 113 |



# 1 Introduction



This System Reference Guide describes functions supplied by the PSoC Creator `cy_boot` component. The `cy_boot` component provides the system functionality for a project to give better access to chip resources. The functions are not part of the component libraries but may be used by them. You can use the function calls to reliably perform needed chip functions.

The `cy_boot` component is unique:

- Included automatically into every project
- Only a single instance can be present
- No symbol representation
- Not present in the Component Catalog (by default)

As the system component, `cy_boot` includes various pieces of library functionality. This guide is organized by these functions:

- Flash
- Clocking
- Power management
- Startup code
- Various library functions
- Linker scripts

The `cy_boot` component presents an API that enables user firmware to accomplish the tasks described in this guide. There are multiple major functional areas that are described separately.

## Migrating from Previous `cy_boot` Versions

The `cy_boot` component version 5.0 and later is fully backward compatible with `cy_boot` version 4.20 (and previous versions). For PSoC 4 devices, the `CyLFClk` (low-frequency clock) APIs have been moved into separate files (`CyLFClk.h/CyLFClk.c`). See the `CyLFClk` Component Datasheet available from the System Reference Guides item of the PSoC Creator Help menu.

Firmware projects created using PSoC Creator 3.1 will work with no issues in PSoC Creator 3.2 and later if the `project.h` file is referenced, regardless of the `cy_boot` update. However, if the `project.h` file is not included in the project being migrated, you must add a reference to the `CyLFClk.h` file in the project for the availability of `CyLFClk` APIs.

If you choose not to update to `cy_boot` version 5.0 or later while migrating projects from PSoC Creator 3.1 to PSoC Creator 3.2 and later, `CyLFClk.h/CyLFClk.c` files will not be generated.

## Conventions

The following table lists the conventions used throughout this guide:

| Convention                   | Usage   |
|------------------------------|---|
| Courier New                  | Displays file locations and source code:<br>C:\ ...cd\icc\, user entered text   |
| <i>Italics</i>               | Displays file names and reference documentation:<br><i>sourcefile.hex</i>   |
| [bracketed, bold]            | Displays keyboard commands in procedures:<br>[Enter] or [Ctrl] [C]  |
| <b>File &gt; New Project</b> | Represents menu paths:<br><b>File &gt; New Project &gt; Clone</b>   |
| <b>Bold</b>                  | Displays commands, menu paths and selections, and icon names in procedures:<br>Click the <b>Debugger</b> icon, and then click <b>Next</b> . |
| Text in gray boxes           | Displays cautions or functionality unique to PSoC Creator or the PSoC device.   |

## References

This guide is one of a set of documents pertaining to PSoC Creator and PSoC devices. Refer to the following other documents as needed:

- PSoC Creator Help
- System Reference Guides HTML (from PSoC Creator Help menu)
- PSoC Creator Component Datasheets
- PSoC Creator Component Author Guide
- PSoC Technical Reference Manual (TRM)

## Sample Firmware Source Code

PSoC Creator provides numerous example projects that include schematics and example code in the Find Example Project dialog. For component-specific examples, open the dialog from the Component Catalog or an instance of the component in a schematic. For general examples, open the dialog from the Start Page or **File** menu. As needed, use the **Filter Options** in the dialog to narrow the list of projects available to select.

Refer to the “Find Example Project” topic in the PSoC Creator Help for more information.

## Definitions

- API – Application Programming Interface
- BLE – Bluetooth Low Energy
- CMSIS – Cortex® Microcontroller Software Interface Standard
- CPU – Central Processing Unit
- CTW – Central Time Wheel
- DMA – Direct Memory Access

- DSI – Digital Signal Interconnect
- ECC – Error Checking And Correction
- EEPROM – Electrically Erasable and Programmable Read Only Memory
- EXCO/ECO – External Crystal Oscillator
- FTW – Fast Time Wheel
- GCC – GNU Compiler Collection
- HFCLK – High Frequency Clock
- HVI – High Voltage Interrupt
- ILO – Internal Low Speed Oscillator
- IMO – Internal Main Oscillator
- ISR – Interrupt Service Routine
- LFCLK – Low Frequency Clock
- LPM – Low Power Mode
- LSB – Least Significant Bit
- LVD – Low Voltage Detect
- LVI – Low Voltage Interrupt
- MISRA – Motor Industry Software Reliability Association
- MSB – Most Significant Bit
- NOP – No Operation
- OPPS – One Pulse Per Second
- OTA – Over The Air
- PGA – Programmable Gain Amplifier
- PLL – Phase Locked Loop
- POR – Power-On Reset
- PSoC – Programmable System on Chip
- ROM – Read Only Memory
- RTC – Real Time Clock
- RTOS – Real Time Operating System
- SPC IF– System Performance Controller Interface
- SRAM – Static Random Access Memory
- SROM – Supervisory Read Only Memory
- TIA – Trans-Impedance Amplifier
- TRM – Technical Reference Manual
- UDB – Universal Digital Block
- XRES – External Reset
- XTAL – External Crystal

- WCO – Watch Crystal Oscillator
- RCOSC – RC Oscillator
- WDT – Watch Dog Timer

## Revision History

| <b>Document Title: PSoC® Creator™ PSoC 4 System Reference Guide, cy_boot Component v5.90</b> |             |  |
|--|-------------|--|
| <b>Document Number: 002-25675</b>  |             |  |
| <b>Revision</b>  | <b>Date</b> | <b>Description of Change</b>   |
| **   | 11/19/18    | New document for version 5.80 of the cy_boot component. Refer to the change section for component changes from previous versions of cy_boot. |

## 2 Standard Types, APIs, and Defines



To support the operation of the same code across multiple CPUs with multiple compilers, the `cy_boot` component provides types and defines (in the `cytypes.h` file) that create consistent results across platforms.

### Base Types

| Type    | Description  |
|---------|--|
| char8   | 8-bit (signed or unsigned, depending on the compiler selection for char) |
| uint8   | 8-bit unsigned   |
| uint16  | 16-bit unsigned  |
| uint32  | 32-bit unsigned  |
| int8    | 8-bit signed   |
| int16   | 16-bit signed  |
| int32   | 32-bit signed  |
| float32 | 32-bit float   |
| float64 | 64-bit float   |
| int64   | 64-bit signed  |
| uint64  | 64-bit unsigned  |

### Hardware Register Types

Hardware registers typically have side effects and therefore are referenced with a volatile type.

| Define | Description              |
|--------|--------------------------|
| reg8   | Volatile 8-bit unsigned  |
| reg16  | Volatile 16-bit unsigned |
| reg32  | Volatile 32-bit unsigned |

### Compiler Defines

The compiler being used can be determined by testing for the definition of the specific compiler.

| Define          | Description                                      |
|-----------------|--|
| __GNUC__        | ARM GCC compiler                                 |
| __ARMCC_VERSION | ARM Realview compiler used by Keil MDK tool sets |

## Return Codes

Return codes from Cypress routines are returned as an 8-bit unsigned value type: `cystatus`. The standard return values are:

| Define                            | Description  |
|-----------------------------------|--|
| <code>CYRET_SUCCESS</code>        | Successful   |
| <code>CYRET_UNKNOWN</code>        | Unknown failure                                      |
| <code>CYRET_BAD_PARAM</code>      | One or more invalid parameters                       |
| <code>CYRET_INVALID_OBJECT</code> | Invalid object specified                             |
| <code>CYRET_MEMORY</code>         | Memory related failure                               |
| <code>CYRET_LOCKED</code>         | Resource lock failure                                |
| <code>CYRET_EMPTY</code>          | No more objects available                            |
| <code>CYRET_BAD_DATA</code>       | Bad data received (CRC or other error check)         |
| <code>CYRET_STARTED</code>        | Operation started, but not necessarily completed yet |
| <code>CYRET_FINISHED</code>       | Operation completed                                  |
| <code>CYRET_CANCELED</code>       | Operation canceled                                   |
| <code>CYRET_TIMEOUT</code>        | Operation timed out                                  |
| <code>CYRET_INVALID_STATE</code>  | Operation not setup or is in an improper state       |

## Interrupt Types and Macros

Types and macros provide consistent definition of interrupt service routines across compilers and platforms. Note that the macro to use is different between the function definition and the function prototype.

Function definition example:

```

CY_ISR(MyISR)
{
    /* ISR Code here */
}
    
```

Function prototype example:

```

CY_ISR_PROTO(MyISR);
    
```

## Interrupt vector address type

| Type                     | Description                                    |
|--------------------------|--|
| <code>cysraddress</code> | Interrupt vector (address of the ISR function) |

## Intrinsic Defines

| Define              | Description               |
|---------------------|---------------------------|
| <code>CY_NOP</code> | Processor NOP instruction |

## Device Version Defines

| Define          | Description                                    |
|-----------------|--|
| CY_PSOC4        | Any PSoC 4 Device                              |
| CY_PSOC4_4000   | PSoC 4000 device family.                       |
| CY_PSOC4_4100   | PSoC 4100 device family.                       |
| CY_PSOC4_4200   | PSoC 4200 device family.                       |
| CY_PSOC4_4100BL | PSoC 4100 device family with BLE support.      |
| CY_PSOC4_4200BL | PSoC 4200 device family with BLE support.      |
| CY_PSOC4_4200M  | PSoC 4200M device family.                      |
| CY_PSOC4_4200L  | PSoC 4200L device family.                      |
| CY_PSOC4_4000S  | PSoC 4000S device family.                      |
| CY_PSOC4_4100S  | PSoC 4100S device family.                      |
| CY_PSOC4_4400   | PSoC Analog Coprocessor device family support. |
| CY_PSOC4_4100MS | PSoC 4100S device family with ECO/PLL.         |

## Variable Attributes

| Define                       | Description   |
|------------------------------|---|
| CY_NOINIT                    | Specifies that a variable should be placed into uninitialized data section that prevents this variable from being initialized to zero on startup.   |
| CY_ALIGN                     | Specifies a minimum alignment (in bytes) for variables of the specified type.   |
| CY_PACKED,<br>CY_PACKED_ATTR | Attached to an enum, struct, or union type definition, specified that the minimum required memory be used to represent the type.<br>Example:<br><pre>CYPACKED typedef struct {     uint8 freq;     uint8 absolute; } CYPACKED_ATTR imoTrim;</pre> |
| CY_INLINE                    | Specifies that compiler can perform inline expansion: insert the function code at the address of each function call.  |

## Instance APIs

### General APIs

Most components have an instance-specific set of the APIs that allow you to initialize, enable and disable the component. These functions are listed below generically. Refer to the individual datasheet for specific information.

#### ***`=instance\_name`\_InitVar***

**Description:** This global variable Indicates whether the component has been initialized. The variable is initialized to 0 and set to 1 the first time `_Start()` is called. This allows the component to restart without reinitialization after the first call to the `_Start()` routine.

If reinitialization of the component is required, then the `_Init()` function can be called before the `_Start()` or `_Enable()` function.

#### ***void `=instance\_name`\_Start (void)***

**Description:** This function intended to start component operation. The `_Start()` sets the `_initVar` variable, calls the `_Init` function, and then calls the `_Enable` function.

#### ***void `=instance\_name`\_Stop (void)***

**Description:** Disables the component operation.

#### ***void `=instance\_name`\_Init (void)***

**Description:** Initializes component's parameters to those set in the customizer placed on the schematic. All registers will be reset to their initial values. This reinitializes the component. Usually called in `_Start()`.

#### ***void `=instance\_name`\_Enable (void)***

**Description:** Enables the component block operation.

### Low Power APIs

Most components have an instance-specific set of low power APIs that allow you to put the component into its low power state. These functions are listed below generically. Refer to the individual datasheet for specific information regarding register retention information if applicable.

#### ***void `=instance\_name`\_Sleep (void)***

**Description:** The `_Sleep()` function checks to see if the component is enabled and saves that state. Then it calls the `_Stop()` function and calls `_SaveConfig()` function to save the user configuration.

- PSoC 4: Call the `_Sleep()` function before calling the `CySysPmDeepSleep()` function.



### ***void`=*instance\_name`\_Wakeup(void)****

**Description:** The `_Wakeup()` function calls the `_RestoreConfig()` function to restore the user configuration. If the component was enabled before the `_Sleep()` function was called, the `_Wakeup()` function will re-enable the component.

**Side Effects:** Calling the `_Wakeup()` function without first calling the `_Sleep()` or `_SaveConfig()` function may produce unexpected behavior.

### ***void`=*instance\_name`\_SaveConfig(void)****

**Description:** This function saves the component configuration. This will save non-retention registers. This function will also save the current component parameter values, as defined in the Configure dialog or as modified by appropriate APIs. This function is called by the `_Sleep()` function.

### ***void`=*instance\_name`\_RestoreConfig(void)****

**Description:** This function restores the component configuration. This will restore non-retention registers. This function will also restore the component parameter values to what they were prior to calling the `_Sleep()` function.

**Side Effects:** Calling this function without first calling the `_Sleep()` or `_SaveConfig()` function may produce unexpected behavior.

## **PSoC Creator Generated Defines**

PSoC Creator generates the following macros in the `cyfitter.h` file.

### **Project Type**

The following are defines for project type (from **Project > Build Settings**):

- `CYDEV_PROJ_TYPE`
- `CYDEV_PROJ_TYPE_BOOTLOADER`
- `CYDEV_PROJ_TYPE_LOADABLE`
- `CYDEV_PROJ_TYPE_MULTIAPPBOOTLOADER`
- `CYDEV_PROJ_TYPE_STANDARD`
- `CYDEV_PROJ_TYPE_LOADABLEANDBOOTLOADER`

### **Chip Configuration Mode**

The following are defines for chip configuration mode (from System DWR). Options vary by device:

#### **All**

- `CYDEV_CONFIGURATION_MODE`
- `CYDEV_CONFIGURATION_MODE_COMPRESSED`
- `CYDEV_CONFIGURATION_MODE_DMA`
- `CYDEV_CONFIGURATION_MODE_UNCOMPRESSED`

- CYDEV\_DEBUGGING\_ENABLE or CYDEV\_PROTECTION\_ENABLE (Debugging or protection enabled. Mutually exclusive.)

### **PSoC 4**

- CYDEV\_CONFIG\_READ\_ACCELERATOR (Flash read accelerator enabled?)
- CYDEV\_USE\_BUNDLED\_CMSIS (Include the CMSIS standard library.)

### **Debugging Mode**

The following are defines for debugging mode (from System DWR):

- CYDEV\_DEBUGGING\_DPS
- CYDEV\_DEBUGGING\_DPS\_Disable
- CYDEV\_DEBUGGING\_DPS\_JTAG\_4
- CYDEV\_DEBUGGING\_DPS\_JTAG\_5
- CYDEV\_DEBUGGING\_DPS\_SWD
- CYDEV\_DEBUGGING\_DPS\_SWD\_SWV

### **Chip Protection Mode**

The following are defines for chip protection mode (from System DWR):

- CYDEV\_DEBUG\_PROTECT
- CYDEV\_DEBUG\_PROTECT\_KILL
- CYDEV\_DEBUG\_PROTECT\_OPEN
- CYDEV\_DEBUG\_PROTECT\_PROTECTED

### **Stack and Heap**

The following are defines for the number of bytes allocated to the stack and heap (from System DWR). These are only for PSoC 4.

- CYDEV\_HEAP\_SIZE
- CYDEV\_STACK\_SIZE

### **Voltage Settings**

The following are defines for voltage settings (from System DWR). Options vary by device:

- CYDEV\_VARIABLE\_VDDA
- CYDEV\_VDDA
- CYDEV\_VDDA\_MV
- CYDEV\_VDDD
- CYDEV\_VDDD\_MV
- CYDEV\_VDDIO0
- CYDEV\_VDDIO0\_MV
- CYDEV\_VDDIO1

- CYDEV\_VDDIO1\_MV
- CYDEV\_VDDIO2
- CYDEV\_VDDIO2\_MV
- CYDEV\_VDDIO3
- CYDEV\_VDDIO3\_MV
- CYDEV\_VIO0
- CYDEV\_VIO0\_MV
- CYDEV\_VIO1
- CYDEV\_VIO1\_MV
- CYDEV\_VIO2
- CYDEV\_VIO2\_MV
- CYDEV\_VIO3
- CYDEV\_VIO3\_MV

## System Clock Frequency

The following are defines for system clock frequency (from Clock DWR):

### PSoC 4

- CYDEV\_BCLK\_\_HFCLK\_\_HZ
- CYDEV\_BCLK\_\_HFCLK\_\_KHZ
- CYDEV\_BCLK\_\_HFCLK\_\_MHZ
- CYDEV\_BCLK\_\_SYSCLK\_\_HZ
- CYDEV\_BCLK\_\_SYSCLK\_\_KHZ
- CYDEV\_BCLK\_\_SYSCLK\_\_MHZ

### JTAG/Silicon ID

The following is the define for JTAG/Silicon ID for the current device:

- CYDEV\_CHIP\_JTAG\_ID

### IP Block Information

PSoC Creator generates the following macros for the IP blocks that exist on the current device:

```
#define CYIPBLOCK_<BLOCK NAME>_VERSION <version>
```

For example:

```
#define CYIPBLOCK_P3_TIMER_VERSION 0
#define CYIPBLOCK_P3_USB_VERSION 0
#define CYIPBLOCK_P3_VIDAC_VERSION 0
```

# 3 Clocking



## PSoC Creator Clocking Implementation

PSoC devices supported by PSoC Creator have flexible clocking capabilities. These clocking capabilities are controlled in PSoC Creator by selections within the Design-Wide Resources settings, connectivity of clocking signals on the design schematic, and API calls that can modify the clocking at runtime. The clocking API is provided in the *CyLib.c* and *CyLib.h* files.

This section describes how PSoC Creator maps clocks onto the device and provides guidance on clocking methodologies that are optimized for the PSoC architecture.

The System Clock consolidates System Clock (SYSCLK) on PSoC 4 devices. The Master Clock consolidates High-Frequency Clock (HFCLK) on PSoC 4 devices.

### Overview

The clock system includes these clock resources:

- Two internal clock sources increase system integration:
  - PSoC 4000: 24, 32 and 48 MHz IMO  $\pm 2\%$  across all frequencies when  $V_{dd}$  is above or equal to 2.0 V and  $\pm 4\%$  below 2.0 V
  - Other PSoC 4 families: 3 to 48 MHz IMO  $\pm 2\%$  across all frequencies
  - 32 kHz ILO outputs
- External Clock (EXTCLK) generated using a signal from a single designated I/O pin:
  - The allowable external clock frequency has the same limits as the system clock frequency.
  - The device always starts up using the IMO and the external clock must be enabled, so the device cannot be started from a reset clocked by the external clock.
- HFCLK selected from IMO or external clock:
  - PSoC 4000: The HFCLK frequency cannot exceed 16 MHz
  - Other PSoC 4 families: The HFCLK frequency cannot exceed 48 MHz
- Low-Frequency Clock (LFCLK) sourced by ILO. PSoC 4100 BLE / PSoC 4200 BLE / PRoC BLE / PSoC 4200M: LFCLK can be sourced by Watch Crystal Oscillator (WCO).
- Dedicated prescaler for SYSCLK sourced by HFCLK. The SYSCLK must be equal to or faster than all other clocks in the device.
  - PSoC 4000: The SYSCLK frequency cannot exceed 16 MHz
  - Other PSoC 4 families: The SYSCLK frequency cannot exceed 48 MHz
- Four peripheral clock dividers, each containing three chainable 16-bit dividers
- 16 digital and analog peripheral clocks

## **Power Modes**

The IMO is available in Active and Sleep modes. It is automatically disabled/enabled for the proper Deep Sleep and Hibernate mode entry/exit. The IMO is disabled during Deep Sleep and Hibernate modes.

The EXTCLK is available in Active and Sleep modes. The system will enter/exit Deep Sleep and Hibernate using external clock. The device will re-enable the IMO if it was enabled before entering Deep Sleep or Hibernate, but it does not wait for the IMO before starting the CPU. After entering Active mode, the IMO may take an additional 2 us to begin toggling. The IMO will startup cleanly without glitches, but any dependency should account for this extra startup time. If desired, firmware may increase wakeup hold-off using [CySysPmSetWakeupHoldoff\(\)](#) function to include this 2 us and ensure the IMO is toggling by the time Active mode is reached.

The ILO is available in all modes except Hibernate and Stop.

## **Clock Connectivity**

The PSoC architecture includes flexible clock generation logic. Refer to the *Technical Reference Manual* for a detailed description of all the clocking sources available in a particular device. The usage of these various clocking sources can be categorized by how those clocks are connected to elements of a design.

### **System Clock**

This is a special clock. It is closely related to Master Clock. For most designs, Master Clock and System Clock will be the same frequency and considered to be the same clock. These must be the highest speed clocks in the system. The CPU will be running off of System Clock and all the peripherals will communicate to the CPU and DMA using System Clock. When a clock is synchronized, it is synchronized to Master Clock. When a pin is synchronized it is synchronized to System Clock.

### **Global Clock**

This is a clock that is placed on one of the global low skew digital clock lines. This also includes System Clock. When a clock is created using a Clock component, it will be created as a global clock. This clock must be directly connected to a clock input or may be inverted before connection to a clock input. Global clock lines connect only to the clock input of the digital elements in PSoC. If a global clock line is connected to something other than a clock input (that is, combinatorial logic or a pin), then the signal is not sent using low skew clock lines.

### **Routed Clock**

Any clock that is not a global clock is a routed clock. This includes clocks generated by logic (with the exception of a single inverter) and clocks that come in from a pin.

## **Clock Synchronization**

Each clock in a PSoC device is either synchronous or asynchronous. This is in reference to System Clock and Master Clock. PSoC is designed to operate as a synchronous system. This was done to enable communication between the programmable logic and either the CPU or DMA. If these are not synchronous to a common clock, then any communication requires clocking crossing circuitry. Generally, asynchronous clocking is not supported except for PLD logic that does not interact with the CPU system.

## **Routed Clock Implementation**

The clocking implementation in PSoC directly connects global clock signals to the clock input of clocked digital logic. This applies to both synchronous and asynchronous clocks. Since global clocks are

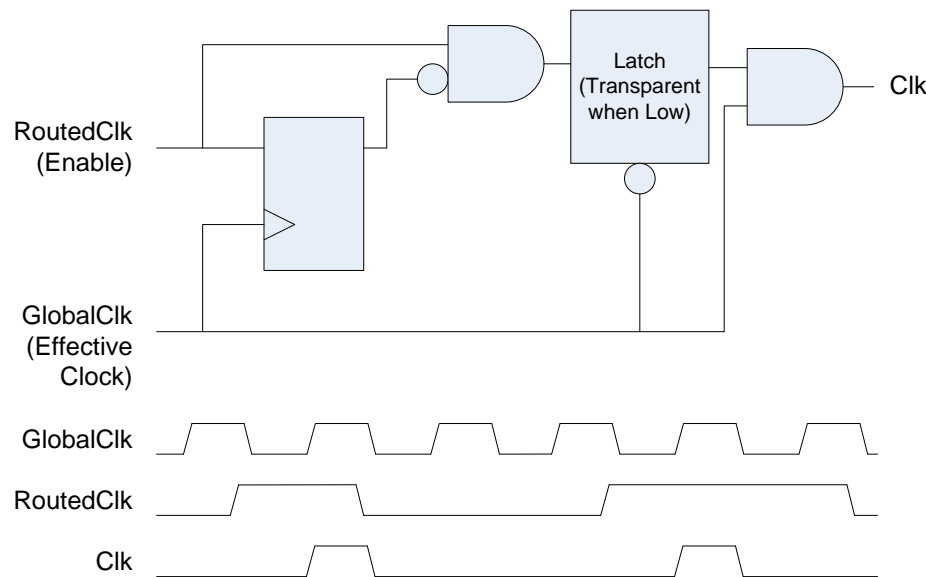
distributed on low skew clock lines, all clocked elements connected to the same global clock will be clocked at the same time.

Routed clocks are distributed using the general digital routing fabric. This results in the clock arriving at each destination at different times. If that clock signal was used directly as the clock, then it would force the clock to be considered an asynchronous clock. This is because it cannot be guaranteed to transition at the rising edge of System Clock. This can also result in circuit failures if the output of a register clocked by an early arriving clock is used by a register clocked by a late arriving version of the same clock.

Under some circumstances, PSoC Creator can transform a routed clock circuit into a circuit that uses a global clock. If all the sources of a routed clock can be traced back to the output of registers that are clocked by common global clocks, then the circuit is transformed automatically by PSoC Creator. The cases where this is possible are:

- All signals are derived from the same global clock. This global clock can be asynchronous or synchronous.
- All signals are derived from more than one synchronous global clock. In this case, the common global clock is System Clock.

The clocking implementation in PSoC includes a built-in edge detection circuit that is used in this transformation. This does not use PLD resources to implement. The following shows the logical implementation and the resulting clock timing diagram.



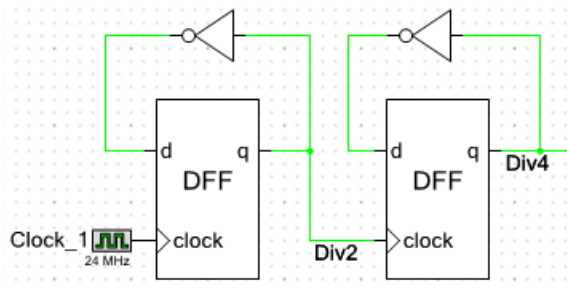
This diagram shows that the resulting clock occurs synchronous to the global clock on the first clock after a rising edge of the routed clock.

When analyzing the design to determine the source of a routed clock, another routed clock that was transformed may be encountered. In that case, the global clock used in that transformation is considered the source clock for that signal.

The clock transformation used for every routed clock is reported in the report file. This file is located in the Workspace Explorer under the **Results** tab after a successful build. The details are shown under the "Initial Mapping" heading. Each routed clock will be shown with the "Effective Clock" and the "Enable Signal". The "Effective Clock" is the global clock that is used and the "Enable Signal" is the routed clock that is edge detected and used as the enable for that clock.

### Example with a Divided Clock

A simple divided clock circuit can be used to observe how this transformation is done. The following circuit clocks the first flip-flop (cydff\_1) with a global clock. This generates a clock that is divided by 2 in frequency. That signal is used as a routed clock that clocks the next flip-flop (cydff\_2).



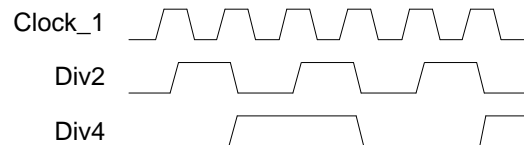
The report file indicates that one global clock has been used and that the single routed clock has been transformed using the global clock as the effective clock.

```

<CYPRESSTAG name="Tech mapping">
<CYPRESSTAG name="Initial Mapping" icon="FILE_RPT_TECHM">
<CYPRESSTAG name="Global Clock Selection" icon="FILE_RPT_TECHM">
  Digital Clock 0: Automatic-assigning clock 'Clock_1'. Fanout=1, Signal=tmp_cydff_1_clk
</CYPRESSTAG>
<CYPRESSTAG name="UDB Routed Clock Assignment">
  Routed Clock: tmp_cydff_1_reg:macrocell.q
  Effective Clock: Clock_1
  Enable Signal: tmp_cydff_1_reg:macrocell.q
</CYPRESSTAG>

```

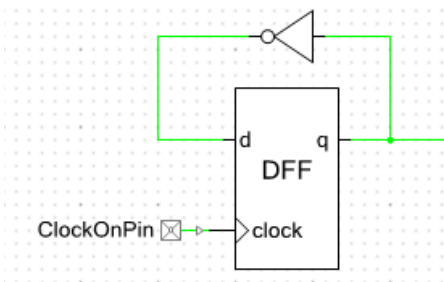
The resulting signals generated by this circuit are as follows.



It may appear that the Div4 signal is generated by the falling edge of the Div2 signal. This is not the case. The Div4 signal is generated on the first Clock\_1 rising edge following a rising edge on Div2.

### Example with a Clock from a Pin

In the following circuit, a clock is brought in on a pin with synchronization turned on. Since synchronization of pins is done with System Clock, the transformed circuit uses System Clock as the Effective Clock and uses the rising edge of the pin as the Enable Signal.



```

<CYPRESSTAG name="Initial Mapping" icon="FILE_RPT_TECHM">
  {Global Clock Selection}
  <CYPRESSTAG name="UDB Routed Clock Assignment">
    Routed Clock: ClockOnPin(0):iocell.fb
    Effective Clock: BUS_CLK
    Enable Signal: ClockOnPin(0):iocell.fb
  </CYPRESSTAG>
</CYPRESSTAG>

```

If input synchronization was not enabled at the pin, there would not be a global clock to use to transform the routed clock, and the routed clock would be used directly.

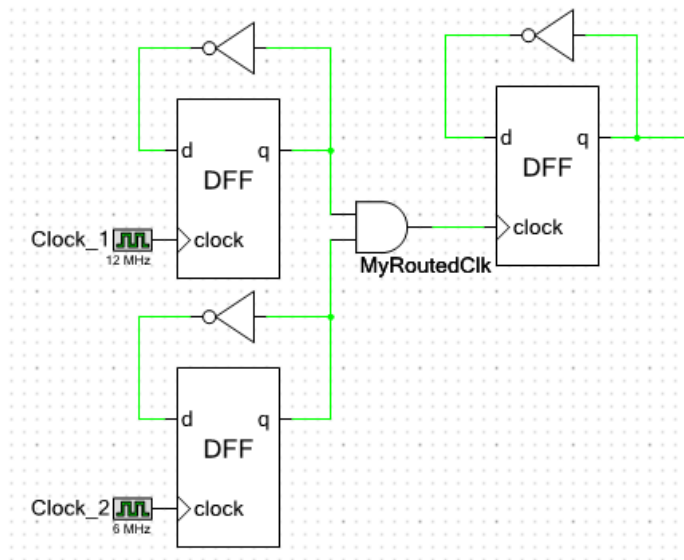
```

<CYPRESSTAG name="Initial Mapping" icon="FILE_RPT_TECHM">
  <CYPRESSTAG name="Global Clock Selection" icon="FILE_RPT_TECHM">
  </CYPRESSTAG>
  <CYPRESSTAG name="UDB Routed Clock Assignment">
    Routed Clock: ClockOnPin(0):iocell.fb
    Effective Clock: ClockOnPin(0):iocell.fb
    Enable Signal: True
  </CYPRESSTAG>
</CYPRESSTAG>

```

### Example with Multiple Clock Sources

In this example, the routed clock is derived from flip-flops that are clocked by two different clocks. Both of these clocks are synchronous, so System Clock is the common global clock that becomes the Effective Clock.



```

<CYPRESSTAG name="Tech mapping">
  <CYPRESSTAG name="Initial Mapping" icon="FILE_RPT_TECHM">
  <CYPRESSTAG name="Global Clock Selection" icon="FILE_RPT_TECHM">
    Digital Clock 0: Automatic-assigning clock 'Clock_1'. Fanout=1, Signal=tmp_cydff_1_clk
    Digital Clock 1: Automatic-assigning clock 'Clock_2'. Fanout=1, Signal=tmp_cydff_2_clk
  </CYPRESSTAG>
  <CYPRESSTAG name="UDB Routed Clock Assignment">
    Routed Clock: MyRoutedClk:macrocell.q
    Effective Clock: BUS_CLK
    Enable Signal: MyRoutedClk:macrocell.q
  </CYPRESSTAG>
  <CYPRESSTAG name="UDB Clock/Enable Remapping Results">
  </CYPRESSTAG>
</CYPRESSTAG>

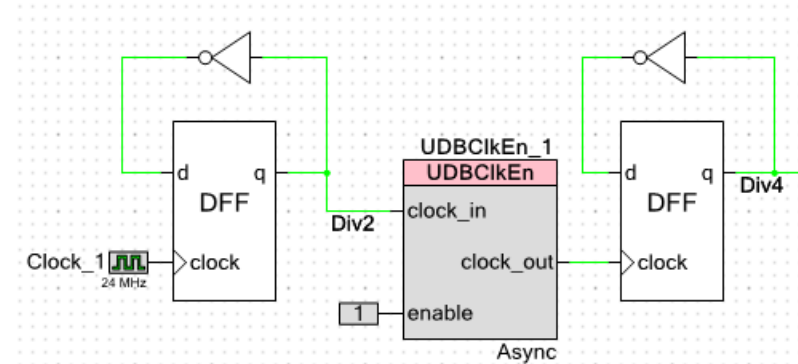
```



If either of these clocks had been asynchronous, then the routed clock would have been used directly.

### Overriding Routed Clock Transformations

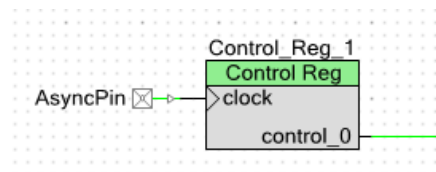
The automatic transformation that PSoC Creator performs on routed clocks is generally the implementation that should be used. There is however a method to force the routed clock to be used directly. The UDBClkEn component configured in Async mode will force the clock used to be the routed clock, as shown in the following circuit.



### Using Asynchronous Clocks

Asynchronous clocks can be used with PLD logic. However, they are not automatically supported by control registers, status registers and datapath elements because of the interaction with the CPU those elements have. Most Cypress library components will only work with synchronous clocks. They specifically force the insertion of a synchronizer automatically if the clock provided is asynchronous. Components that are designed to work with asynchronous clocks such as the SPI Slave will specifically describe how they handle clocking in their datasheet.

If an asynchronous clock is connected directly to something other than PLD logic, then a Design Rule Check (DRC) error is generated. For example, if an asynchronous pin is connected to a control register clock, a DRC error is generated.



mpr.M0115:Routing of asynchronous signal AsyncPin[0]:iocell.fb as a clock to UDB component "\Control\_Reg\_1:ctrl\_reg\" is not supported unless a UDB Clock/Enable component is used.

As stated in the error message, the error can be removed by using a UDBClkEn component in async mode. That won't remove the underlying synchronization issue, but it will allow the design to override the error if the design has handled synchronization in some other way.

### Clock Crossing

Multiple clock domains are commonly needed in a design. Often these multiple domains do not interact and therefore clocking crossings do not occur. In the case where signals generated in one clock domain need to be used in another clock domain, special care must be taken. There is the case where the two clock domains are asynchronous from each other and the case where both clock domains are synchronous to System Clock.

When both clocks are synchronous to System Clock, signals from the slower clock domain can be freely used in the other clock domain. In the other direction, care must be taken that the signals from the faster clock domain are active for a long enough period that they will be sampled by the slower clock domain. In both directions the timing constraints that must be met are based on the speed of System Clock not the speed of either of the clock domains.

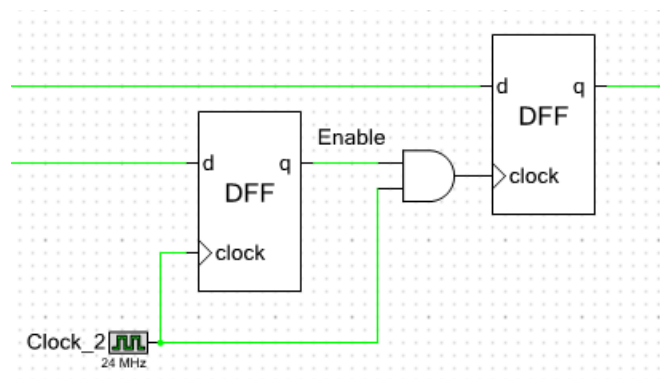
The only guarantee between the clock domains is that their edges will always occur on a rising edge of System Clock. That means that the rising edges of the two clock domains can be as close as a single System Clock cycle apart. This is true even when the clock domains are multiples of each other, since their clock dividers are not necessarily aligned. If combinatorial logic exists between the two clock domains, a flip-flop may need to be inserted to keep from limiting the frequency of System Clock operation. By inserting the flip-flop, the crossing from one clock domain to the other is a direct flip-flop to flip-flop path.

When the clock domains are unrelated to each other, a synchronizer must be used between the clock domains. The Sync component can be used to implement the synchronization function. It should be clocked by the destination clock domain.

The Sync component is implemented using a special mode of the status register that implements a double synchronizer. The input signal must have a pulse width of at least the period of the sampling clock. The exact delay to go through the synchronizer will vary depending on the alignment of the incoming signal to the synchronizing clock. This can vary from just over one clock period to just over two clock periods. If multiple signals are being synchronized, the time difference between two signals entering the synchronizer and those same two signals at the output can change by as much as one clock period, depending on when each is successfully sampled by the synchronizer.

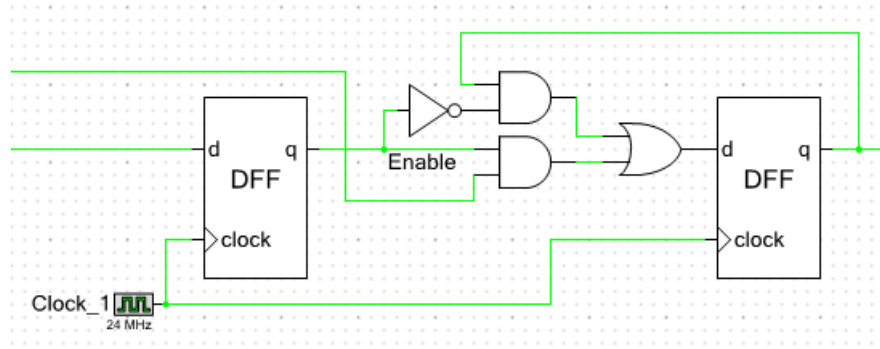
## Gated Clocks

Global clocks should not be used for anything other than directly clocking a circuit. If a global clock is used for logic functionality, the signal is routed using an entirely different path without guaranteed timing. A circuit such as the following should be avoided since timing analysis cannot be performed.



This circuit is implemented with a routed clock, has no timing analysis support, and is prone to the generation of glitches on the clock signal when the clock is enabled and disabled.

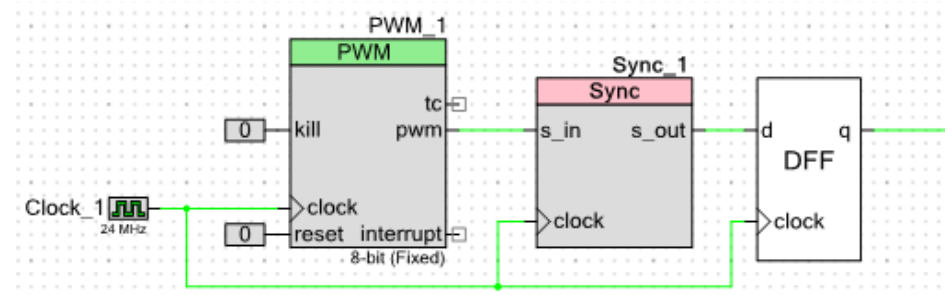
The following circuit implements the equivalent function and is supported by timing analysis, only uses global clocks, and has no reliability issues. This circuit does not gate the clock, but instead logically enables the clocking of new data or maintains the current data.



If access to a clock is needed, for example to generate a clock to send to a pin, then a 2x clock should be used to clock a toggle flip-flop. The output of that flip-flop can then be used with the associated timing analysis available.

### Fixed-Function Clocking

On the schematic, the clock signals sent to fixed-function peripherals and to UDB-based peripherals appear to be the same clock. However, the timing relationship between the clock signals as they arrive at these different peripheral types is not guaranteed. Additionally the routing delay for the data signals is not guaranteed. Therefore when fixed-function peripherals are connected to signals in the UDB array, the signals must be synchronized as shown in the following example. No timing assumptions should be made about signals coming from fixed-function peripherals.



### UDB-Based Clocking

If the component allows asynchronous clocks, you may use any clock input frequency within the device's frequency range. If the component requires synchronization to the SYSCLK, then when using a routed clock for the component, the frequency of the routed clock cannot exceed one half the routed clock's source clock frequency.

- If the routed clock is synchronous to the SYSCLK, then it is one half the SYSCLK.
- If the routed clock is synchronous to one of the clock dividers, its maximum is one half of that clock rate.

## Changing Clocks in Run-time

### *Impact on Components Operation*

The components with internal clocks are directly impacted by the change of the system clock frequencies or sources. The components clock frequencies obtained using design-time dividers. The run-time change of components clock source will correspondingly change the internal component clock. Refer to the component datasheet for the details.

### *CyDelay APIs*

The CyDelay APIs implement simple software-based delay loops. The loops compensate for system clock frequency. The CyDelayFreq() function must be called in order to adjust CyDelay(), CyDelayUs() and CyDelayCycles() functions to the new system clock value.

### *Cache Configuration*

If the CPU clock frequency increases during device operation, the number of clock cycles cache will wait before sampling data coming back from Flash should be adjusted. If the CPU clock frequency decreases, the number of clock cycles can be also adjusted to improve CPU performance. See "CySysFlashSetWaitCycles()" for PSoC 4 for more information.

## APIs

### High Frequency Clocks

#### ***void CySysClkImoStart(void)***

**Description:** Enables the IMO.

For PSoC 4100M / PSoC 4200M / PSoC 4000S / PSoC 4100S / PSoC 4500 / PSoC Analog Coprocessor devices, this function will also enable the WCO lock if "Trim with WCO" is selected on the Configure System Clocks dialog.

For PSoC 4200L devices, this function will also enable the USB lock feature if selected in the Design Wide Resources Clock Editor.

#### ***void CySysClkImoStop(void)***

**Description:** Disables the IMO.

For PSoC 4100M / PSoC 4200M / PSoC 4000S / PSoC 4100S / PSoC 4500 / PSoC Analog Coprocessor devices, this function will also disable the WCO lock if "Trim with WCO" is selected on the Configure System Clocks dialog.

For PSoC 4200L device families, this function will also enable the USB lock feature if selected in the Design Wide Resources Clock Editor.

**void CySysClkWriteHfclkDirect (uint32 clkSelect)**

**Description:** Selects the direct source for the HFCLK.

**Parameters:** clkSelect: One of the available HFCLK direct sources.

| Define                  | Source  |
|-------------------------|---|
| CY_SYS_CLK_HFCLK_IMO    | IMO   |
| CY_SYS_CLK_HFCLK_EXTCLK | External clock pin  |
| CY_SYS_CLK_HFCLK_ECO    | External crystal oscillator (applicable only for PSoC BLE / PSoC BLE / PSoC 4200L / PSoC 4100S / PSoC 4500 with ECO devices). |
| CY_SYS_CLK_HFCLK_PLL0   | PLL0 (applicable only for PSoC 4200L / PSoC 4100S / PSoC 4500 with PLL devices)   |
| CY_SYS_CLK_HFCLK_PLL1   | PLL1 (applicable only for PSoC 4200L)   |

**Side Effects and Restrictions:** The new source must be running and stable before calling this function.

If the SYSCLK frequency increases during device operation, call CySysFlashSetWaitCycles() with the appropriate parameter to adjust the number of clock cycles the cache will wait before sampling data comes back from Flash. If the SYSCLK frequency decreases, call CySysFlashSetWaitCycles() to improve CPU performance. See CySysFlashSetWaitCycles() description for more information.

- **PSoC 4000:** The SYSCLK has a maximum speed of 16 MHz, so HFCLK and SYSCLK dividers should be selected in a way to not to exceed 16 MHz for the System clock.

**void CySysClkWriteSysclkDiv (uint32 divider)**

**Description:** Selects the prescaler divide amount for SYSCLK from HFCLK.

**Parameters:** divider: Power of 2 prescaler selection.

| Define                   | Divider |
|--------------------------|---------|
| CY_SYS_CLK_SYSCLK_DIV1   | 1       |
| CY_SYS_CLK_SYSCLK_DIV2   | 2       |
| CY_SYS_CLK_SYSCLK_DIV4   | 4       |
| CY_SYS_CLK_SYSCLK_DIV8   | 8       |
| CY_SYS_CLK_SYSCLK_DIV16  | 16      |
| CY_SYS_CLK_SYSCLK_DIV32  | 32      |
| CY_SYS_CLK_SYSCLK_DIV64  | 64      |
| CY_SYS_CLK_SYSCLK_DIV128 | 128     |

**Note** The dividers above CY\_SYS\_CLK\_SYSCLK\_DIV8 are not available for the PSoC 4000 family.

**Side Effects and Restrictions:** If the SYSCLK frequency increases during device operation, call CySysFlashSetWaitCycles() with the appropriate parameter to adjust the number of clock cycles the cache will wait before sampling data comes back from Flash. If the SYSCLK clock frequency decreases, call CySysFlashSetWaitCycles() to improve CPU performance. See CySysFlashSetWaitCycles() description for more information.

- **PSoC 4000:** The SYSCLK has a maximum speed of 16 MHz, so HFCLK and SYSCLK dividers should be selected in a way to not to exceed 16 MHz for the System clock.

### ***void CySysClkWritelmoFreq (uint32 freq)***

**Description:** Sets the frequency of the IMO.

If IMO is currently driving the HFCLK, and if the HFCLK frequency decreases, call `CySysFlashSetWaitCycles ()` to improve CPU performance. See `CySysFlashSetWaitCycles ()` for more information.

For PSoC 4000 family of devices, maximum HFCLK frequency is 16 MHz. If IMO is configured to frequencies above 16 MHz, ensure to set the appropriate HFCLK pre-divider value first.

For PSoC 4200M / PSoC 4200L / PSoC 4000S / PSoC 4100S / PSoC Analog Coprocessor device families, if WCO lock feature is enabled then this API will disable the lock, write the new IMO frequency and then re-enable the lock.

For PSoC 4200L device families, this function enables the USB lock when 24 or 48 MHz passed as a parameter if the USB lock option is enabled in Design Wide Resources tab or `CySysClkWEnableUsbLock()` was called before. Note the USB lock is disabled during IMO frequency change.

**Parameters:** All PSoC 4 families excluding PSoC 4000: Valid range [3-48] with step size equals 1.  
 PSoC 4000: Valid range [24-48] with step size equals 4.

**Note** The CPU is halted if new frequency is invalid and project is compiled in debug mode.

**Side Effects and Restrictions:** If the SYSCLK frequency increases during device operation, call `CySysFlashSetWaitCycles()` with the appropriate parameter to adjust the number of clock cycles the cache will wait before sampling data comes back from Flash. If the SYSCLK clock frequency decreases, call `CySysFlashSetWaitCycles()` to improve CPU performance. See `CySysFlashSetWaitCycles()` description for more information.

PSoC 4000: The SYSCLK has maximum speed of 16 MHz, so HFCLK and SYSCLK dividers should be selected in a way, to not to exceed 16 MHz for the System clock.

### ***void CySysClkWEnableWcoLock(void)***

**Description:** Enables the IMO to WCO lock feature.

This function works only if the WCO is already enabled. If the WCO is not enabled then this function returns without enabling the lock feature.

This is applicable for PSoC 4100M / PSoC 4200M / PSoC 4000S / PSoC 4100S / PSoC 4500 / PSoC Analog Coprocessor / PSoC 4200L family of devices only.

For PSoC 4200L devices, note that the IMO can lock to either WCO or USB but not both.

***void CySysClkImoDisableWcoLock(void)***

**Description:** Disables the IMO to WCO lock feature.

This is applicable for PSoC 4100M / PSoC 4200M / PSoC 4000S / PSoC 4100S / PSoC 4500 / PSoC Analog Coprocessor / PSoC 4200L devices only.

***uint32 CySysClkImoGetWcoLock(void)***

**Description:** Reports the IMO to WCO lock enable state.

This is applicable for PSoC 4100M / PSoC 4200M / PSoC 4000S / PSoC 4100S / PSoC 4500 / PSoC Analog Coprocessor / PSoC 4200L devices only.

**Parameters:** 0 – Lock is disabled  
1 – Lock is enabled

***void CySysClkImoEnableUsbLock(void)***

**Description:** Enables the IMO to USB lock feature.

This function must be called before `CySysClkWriteImoFreq()`.

This function is called from `CySysClkImoStart()` function if USB lock selected in the Design Wide Resources tab. This is applicable for PSoC 4200L family of devices only.

For PSoC 4200L devices, note that the IMO can lock to either WCO or USB but not both.

***void CySysClkImoDisableUsbLock(void)***

**Description:** Disables the IMO to USB lock feature.

This function is called from `CySysClkImoStop()` function if USB lock selected in the Design Wide Resources tab.

This is applicable for PSoC 4200L family of devices only.

***uint32 CySysClkImoGetUsbLock(void)***

**Description:** Reports the IMO to USB lock enable state.

This is applicable for PSoC 4200L family of devices only.

**Parameters:** 0 – Lock is disabled.  
1 – Lock is enabled.

## Low Frequency Clocks

For PSoC 4 devices, the `CyLFCIk` (low-frequency clock) APIs are located in separate files (`CyLFCIk.h/CyLFCIk.c`). See the `CyLFCIk` Component Datasheet available from the System Reference Guides item of the PSoC Creator Help menu.



## External Crystal Oscillator (ECO) APIs

### *cystatus* **CySysClkEcoStart(uint32 timeoutUs)**

**Description:** Starts the External Crystal Oscillator (ECO). Refer to the device datasheet for the ECO startup time.

The timeout interval is measured based on the system frequency defined by PSoC Creator at build time. If System clock frequency is changed in runtime, the CyDelayFreq() with the appropriate parameter should be called.

**Parameters:**     **timeoutUs:** Timeout in microseconds. If zero is specified, the function starts the crystal and returns CYRET\_SUCCESS. If non-zero value is passed, the CYRET\_SUCCESS is returned once crystal is oscillating and amplitude reached 60% and it does not mean 24 MHz crystal is within 50 ppm. If it is not oscillating or amplitude didn't reach 60% after specified amount of time, the CYRET\_TIMEOUT is returned.

**Return Value:** CYRET\_SUCCESS - Completed successfully. The ECO is oscillating and amplitude reached 60% and it does not mean 24 MHz crystal is within 50 ppm.  
CYRET\_TIMEOUT - Timeout occurred

### *void* **CySysClkEcoStop(void)**

**Description:** Stops the megahertz crystal.

### *uint32* **CySysClkEcoReadStatus(void)**

**Description:** Read status bit for the megahertz crystal.

**Return Value:** Non-zero indicates that ECO output reached 50 ppm.

### *void* **CySysClkWriteEcoDiv(uint32 divider)**

**Description:** Selects value for the ECO divider.

The ECO must not be the HFCLK clock source when this function is called. The HFCLK source can be changed to the other clock source by call to the CySysClkWriteHfclkDirect() function. If the ECO sources the HFCLK this function will not have any effect if compiler in release mode, and halt the CPU when compiler in debug mode.

**Parameters:** divider: Power of 2 divider selection.

| Define              | Divider         |
|---------------------|-----------------|
| CY_SYS_CLK_ECO_DIV1 | HFCLK = ECO / 1 |
| CY_SYS_CLK_ECO_DIV2 | HFCLK = ECO / 2 |
| CY_SYS_CLK_ECO_DIV4 | HFCLK = ECO / 4 |
| CY_SYS_CLK_ECO_DIV8 | HFCLK = ECO / 8 |

**Return Value:** If the SYSCLK clock frequency increases during the device operation, call CySysFlashSetWaitCycles() with the appropriate parameter to adjust the number of clock cycles the cache will wait before sampling data comes back from Flash. If the SYSCLK clock frequency decreases, you can call CySysFlashSetWaitCycles() to improve the CPU performance. See CySysFlashSetWaitCycles() description for more information.

**void CySysClkConfigureEcoTrim(uint32 wDTrim, uint32 aTrim, uint32 fTrim, uint32 rTrim, uint32 gTrim)**

**Description:** Selects trim setting values for ECO.

**This API is available only for PSoC 4200L / PSoC 4100S / PSoC 4500 with ECO devices only.**

The following parameters can be trimmed for ECO. The affected registers are ECO\_TRIM0 and ECO\_TRIM1.

- Watchdog trim - This bit field sets the error threshold below the steady state amplitude level.
- Amplitude trim - This bit field is to set the crystal drive level when ECO\_CONFIG.AGC\_EN = 1.  
**WARNING** Use care when setting this field because driving a crystal beyond its rated limit can permanently damage the crystal.
- Filter frequency trim - This bit field sets LPF frequency trim and affects the 3<sup>rd</sup> harmonic content.
- Feedback resistor trim - This bit field sets the feedback resistor trim and impacts the oscillation amplitude.
- Amplifier gain trim - This bit field sets the amplifier gain trim and affects the startup time of the crystal.

**Parameters:** wDTrim: Watchdog trim

| Parameter Value        | Description               |
|------------------------|---------------------------|
| CY_SYS_CLK_ECO_WDTRIM0 | Error threshold is 0.05 V |
| CY_SYS_CLK_ECO_WDTRIM1 | Error threshold is 0.10 V |
| CY_SYS_CLK_ECO_WDTRIM2 | Error threshold is 0.15 V |
| CY_SYS_CLK_ECO_WDTRIM3 | Error threshold is 0.20 V |

aTrim: Amplitude trim

| Parameter Value       | Description                      |
|-----------------------|----------------------------------|
| CY_SYS_CLK_ECO_ATRIM0 | Amplitude is 0.3 V <sub>pp</sub> |
| CY_SYS_CLK_ECO_ATRIM1 | Amplitude is 0.4 V <sub>pp</sub> |
| CY_SYS_CLK_ECO_ATRIM2 | Amplitude is 0.5 V <sub>pp</sub> |
| CY_SYS_CLK_ECO_ATRIM3 | Amplitude is 0.6 V <sub>pp</sub> |
| CY_SYS_CLK_ECO_ATRIM4 | Amplitude is 0.7 V <sub>pp</sub> |
| CY_SYS_CLK_ECO_ATRIM5 | Amplitude is 0.8 V <sub>pp</sub> |
| CY_SYS_CLK_ECO_ATRIM6 | Amplitude is 0.9 V <sub>pp</sub> |
| CY_SYS_CLK_ECO_ATRIM7 | Amplitude is 1.0 V <sub>pp</sub> |

fTrim: Filter frequency trim

| Parameter Value       | Description                          |
|-----------------------|--------------------------------------|
| CY_SYS_CLK_ECO_FTRIM0 | Crystal frequency > 30 MHz           |
| CY_SYS_CLK_ECO_FTRIM1 | 24 MHz < Crystal frequency <= 30 MHz |
| CY_SYS_CLK_ECO_FTRIM2 | 17 MHz < Crystal frequency <= 24 MHz |
| CY_SYS_CLK_ECO_FTRIM3 | Crystal frequency <= 17 MHz          |

**Parameters (cont.):** rTrim: Feedback resistor trim

| Parameter Value       | Description                          |
|-----------------------|--------------------------------------|
| CY_SYS_CLK_ECO_RTRIM0 | Crystal frequency > 30 MHz           |
| CY_SYS_CLK_ECO_RTRIM1 | 24 MHz < Crystal frequency <= 30 MHz |
| CY_SYS_CLK_ECO_RTRIM2 | 17 MHz < Crystal frequency <= 24 MHz |
| CY_SYS_CLK_ECO_RTRIM3 | Crystal frequency <= 17 MHz          |

gTrim: Amplifier gain trim

Calculate the minimum required  $g_m$  (trans-conductance value). Divide the calculated  $g_m$  value by 4.5 to obtain an integer value 'result'. For more information please refer to the device TRM.

| Parameter Value       | Description   |
|-----------------------|---------------|
| CY_SYS_CLK_ECO_GTRIM0 | If result = 1 |
| CY_SYS_CLK_ECO_GTRIM1 | If result = 0 |
| CY_SYS_CLK_ECO_GTRIM2 | If result = 2 |
| CY_SYS_CLK_ECO_GTRIM2 | If result = 3 |

***cystatus CySysClkConfigureEcoDrive(uint32 freq, uint32 cLoad, uint32 esr, uint32 maxAmplitude)***

**Description:** Selects trim setting values for ECO based on crystal parameters. Use care when setting the maximum amplitude level because driving a crystal beyond its rated limit can permanently damage the crystal.

This API is available only for PSoC 4200L / PSoC 4100S / PSoC 4500 with ECO devices only.

**Parameters:** freq: frequency of the crystal in kHz.

cLoad: crystal load capacitance in pF.

esr: equivalent series resistance of the crystal in ohm.

maxAmplitude: maximum amplitude level in mV. Calculate as below:

$$maxAmplitude = \frac{\sqrt{\frac{driveLevel \text{ in } \mu W}{(2 \times esr)}}}{3.14 \times freq \times cLoad} \times 10^9$$

**Return Value:**

| Parameter Value | Description                               |
|-----------------|---|
| CYRET_SUCCESS   | ECO configuration completed successfully. |
| CYRET_BAD_PARAM | One or more invalid parameters            |

## Phase-Locked Loop(PLL) APIs (PSoC 4200L / PSoC 4100S Plus / PSoC 4500)

### *cystatus CySysClkPllStart(uint32 pll, uint32 wait)*

**Description:** Enables the PLL. Optionally waits for it to become stable. Waits at least 250 us or until it is detected that the PLL is stable.

This API is available only for PSoC 4200L/ PSoC 4100S / PSoC 4500 with PLL devices.

**Parameters:** pll:

| Parameter Value | Description                           |
|-----------------|---------------------------------------|
| 0               | PLL#0                                 |
| 1               | PLL#1 (available only for PSoC 4200L) |

wait:

| Parameter Value | Description                             |
|-----------------|---|
| 0               | Return immediately after configuration. |
| 1               | Wait for PLL lock or timeout.           |

**Return Value:** status:

| Parameter Value | Description   |
|-----------------|---|
| CYRET_SUCCESS   | Completed successfully.   |
| CYRET_TIMEOUT   | Timeout occurred without detecting a stable clock. If the clock input source is jittery, then the lock indication may not occur. However, after the timeout has expired, the generated PLL clock can still be used. |
| CYRET_BAD_PARAM | Either the pll or wait parameter is invalid   |

**Side Effects:** If wait is enabled, this API uses the CyDelayUs() function to implement the timeout feature.

### *void CySysClkPllStop(uint32 pll)*

**Description:** Disables the PLL. Ensure that either PLL is not the source of HFCLK before it is disabled.

This API is available only for PSoC 4200L / PSoC 4100S / PSoC 4500 with PLL devices.

**Parameters:** pll:

| Parameter Value | Description                           |
|-----------------|---------------------------------------|
| 0               | PLL#0                                 |
| 1               | PLL#1 (available only for PSoC 4200L) |

**Side Effects:** If either PLL is disabled when it is sourcing HFCLK, the CPU will halt.

***cystatus CySysClkPIISetFrequency(uint32 pll, uint32 inputFreq, uint32 pllFreq, uint32 divider, uint32 freqTol)***

**Description:** Configures either PLL#0 or PLL#1 for the requested input/output frequencies. The input frequency is the frequency of the source to the PLL. The source is set using the CySysClkPIISetSource() function. Consider using CySysClkPIISetPQ if the PLL configuration parameters are pre-calculated.

The input frequency is in the range of 1 MHz to 49152 kHz and is the frequency of the source to the PLL. The source is set using the CySysClkPIISetSource() API. The output frequency is in the range of 22.5 MHz to 49152 kHz. The additional tolerance specified in ppm is added to the accuracy of the PLL input clock.

The PLL must not be the system clock source when calling this function. The PLL output will glitch during this function call.

This API is available only for PSoC 4200L / PSoC 4100S / PSoC 4500 with PLL devices.

**Parameters:** pll:

| Parameter Value | Description                           |
|-----------------|---------------------------------------|
| 0               | PLL#0                                 |
| 1               | PLL#1 (available only for PSoC 4200L) |

inputFreq – The reference frequency in KHz. The valid range is from 1000 to 49152 KHz

pllFreq – The target frequency in KHz. The valid range is from 22500 to 49152 KHz.

freqTol – The tolerance in ppm, 10 ppm is equal to 0.001%.

divider:

| Parameter Value           | Description  |
|---------------------------|--------------|
| CY_SYS_PLL_OUTPUT_DIVPASS | Pass Through |
| CY_SYS_PLL_OUTPUT_DIV2    | Divide by 2  |
| CY_SYS_PLL_OUTPUT_DIV4    | Divide by 4  |
| CY_SYS_PLL_OUTPUT_DIV8    | Divide by 8  |

**Return Value:** CYRET\_SUCCESS – if the API was successfully able to configure the PLL for the requested frequencies.

CYRET\_BAD\_PARAM – if the input parameters are out of range or if the API was not able to successfully configure the PLL for the requested frequencies.

***cystatus CySysClkPIISetPQ(uint32 pll, uint32 feedback, uint32 reference, uint32 current)***

**Description:** Sets feedback (P) and reference (Q) divider value. This API also sets the programmable charge pump current value. Note that the PLL has to be disabled before calling this API. Calling this function while any PLL is sourcing the SYSClk will return an error.

The PLL must not be the system clock source when calling this function. The PLL output will glitch during this function call.

This API is available only for PSoC 4200L / 4100S with PLL devices.

**Parameters:** pll:

| Parameter Value | Description                           |
|-----------------|---------------------------------------|
| 0               | PLL#0                                 |
| 1               | PLL#1 (available only for PSoC 4200L) |

feedback: P divider

| Parameter Value | Description                       |
|-----------------|-----------------------------------|
| Range 4 - 259   | Control bits for feedback divider |

reference: Q divider

| Parameter Value | Description          |
|-----------------|----------------------|
| Range 1 – 64    | Divide by reference. |

current: charge pump current in  $\mu\text{A}$ . 2  $\mu\text{A}$  for output frequencies of 67 MHz or less, and 3  $\mu\text{A}$  for higher output frequencies. The default value is 2  $\mu\text{A}$ .

**Return Value:** status:

| Parameter Value | Description   |
|-----------------|---|
| CYRET_SUCCESS   | Completed successfully.   |
| CYRET_BAD_PARAM | The parameters are out of range or the specified PLL sources the system clock |

***void CySysClkPllSetSource(uint32 pll, uint32 source)***

**Description:** Sets the input clock source to the PLL. The PLL must not be the system clock source when calling this function. The PLL output will glitch during this function call.

This API is available only for PSoC 4200L / PSoC 4100S / PSoC 4500 with PLL devices.

**Parameters:** pll:

| Parameter Value | Description                           |
|-----------------|---------------------------------------|
| 0               | PLL#0                                 |
| 1               | PLL#1 (available only for PSoC 4200L) |

source:

| Parameter Value          | Description   |
|--------------------------|---|
| CY_SYS_PLL_SOURCE_IMO    | IMO   |
| CY_SYS_PLL_SOURCE_EXTCLK | External Clock (available only for PSoC 4200L and PSoC 4500 with PLL devices) |
| CY_SYS_PLL_SOURCE_ECO    | ECO   |
| CY_SYS_PLL_SOURCE_DSI0   | DSI_OUT[0] (available only for PSoC 4200L)                                    |
| CY_SYS_PLL_SOURCE_DSI1   | DSI_OUT[1] (available only for PSoC 4200L)                                    |
| CY_SYS_PLL_SOURCE_DSI2   | DSI_OUT[2] (available only for PSoC 4200L)                                    |
| CY_SYS_PLL_SOURCE_DSI3   | DSI_OUT[3] (available only for PSoC 4200L)                                    |

***cystatus CySysClkPllSetOutputDivider(uint32 pll, uint32 divider)***

**Description:** Sets the output clock divider for the PLL. The PLL must not be the system clock source when calling this function. The PLL output will glitch during this function call.

This API is available only for PSoC 4200L / PSoC 4100S / PSoC 4500 with PLL devices.

**Parameters:** pll:

| Parameter Value | Description                           |
|-----------------|---------------------------------------|
| 0               | PLL#0                                 |
| 1               | PLL#1 (available only for PSoC 4200L) |

divider:

| Parameter Value           | Description  |
|---------------------------|--------------|
| CY_SYS_PLL_OUTPUT_DIVPASS | Pass Through |
| CY_SYS_PLL_OUTPUT_DIV2    | Divide by 2  |
| CY_SYS_PLL_OUTPUT_DIV4    | Divide by 4  |
| CY_SYS_PLL_OUTPUT_DIV8    | Divide by 8  |

**Return Value:** status:

| Parameter Value | Description   |
|-----------------|---|
| CYRET_SUCCESS   | Completed successfully.   |
| CYRET_BAD_PARAM | The parameters are out of range or the specified PLL sources the system clock |

***void CySysClkPllSetBypassMode(uint32 pll, uint32 bypass)***

**Description:** Sets the bypass mode for the specified PLL. The PLL must not be the system clock source when calling this function. The PLL output will glitch during this function call.

This API is available only for PSoC 4200L / PSoC 4100S / PSoC 4500 with PLL devices.

**Parameters:** pll:

| Parameter Value | Description                           |
|-----------------|---------------------------------------|
| 0               | PLL#0                                 |
| 1               | PLL#1 (available only for PSoC 4200L) |

bypass:

| Parameter Value           | Description   |
|---------------------------|---|
| CY_SYS_PLL_BYPASS_AUTO    | 0 or 1  |
| CY_SYS_PLL_BYPASS_PLL_REF | Select PLL reference input as the output. Ignores lock indicator. |
| CY_SYS_PLL_BYPASS_PLL_OUT | Select PLL output. Ignores lock indicator.                        |



### ***uint32 CySysClkPllGetUnlockStatus(uint32 pll)***

**Description:** Returns non-zero value if the specified PLL output was unlocked. The unlock status is an indicator that the PLL has lost lock at least once during its operation. The unlock status is cleared once it is read using this API.

This API is available only for PSoC 4200L / PSoC 4100S / PSoC 4500 with PLL devices.

**Parameters:** pll:

| Parameter Value | Description                           |
|-----------------|---------------------------------------|
| 0               | PLL#0                                 |
| 1               | PLL#1 (available only for PSoC 4200L) |

**Return Value:** Non-zero value if the specified PLL output was unlocked.

### ***uint32 CySysClkPllGetLockStatus(uint32 pll)***

**Description:** Returns non-zero if the output of the specified PLL output is locked.

This API is available only for PSoC 4200L / PSoC 4100S / PSoC 4500 with PLL devices.

**Return Value:** Non-zero value if the specified PLL output was unlocked.

### ***uint32 CySysClkPllGetInterruptCauseMasked(void)***

**Description:** Returns a non-zero value that reflects a bit-wise AND between interrupt request and mask registers. The API allows firmware to read the status of all mask enabled interrupt causes with a single load operation.

This API is available only for PSoC 4-MC devices.

**Parameters:** None

**Return Value:** Bit position:

| Parameter Value            | Description |
|----------------------------|-------------|
| CY_SYS_PLL_INTR_PLL_LOCK   | 1           |
| CY_SYS_PLL_INTR_WD_ERR     | 2           |
| CY_SYS_PLL_INTR_CSV_CLK_SW | 4           |

A set bit indicates the source of the interrupt.

***uint32 CySysClkPllGetInterruptCause(void)***

**Description:** Returns a non-zero value that reflects the interrupt request registers.

This API is available only for PSoC 4-MC devices.

**Parameters:** None

**Return Value:** Bit position:

| Parameter Value            | Description |
|----------------------------|-------------|
| CY_SYS_PLL_INTR_PLL_LOCK   | 1           |
| CY_SYS_PLL_INTR_WD_ERR     | 2           |
| CY_SYS_PLL_INTR_CSV_CLK_SW | 4           |

A set bit indicates the source of the interrupt.

***void CySysClkPllClearPendingInterrupt(uint32 interrupt)***

**Description:** Clears the pending interrupt.

This API is available only for PSoC 4-MC devices.

**Parameters:** Bit position:

| Parameter Value            | Description |
|----------------------------|-------------|
| CY_SYS_PLL_INTR_PLL_LOCK   | 1           |
| CY_SYS_PLL_INTR_WD_ERR     | 2           |
| CY_SYS_PLL_INTR_CSV_CLK_SW | 4           |

A logical OR of above can be used as input parameter.

***void CySysClkPllSetInterruptMask(uint32 intrMask)***

**Description:** This API sets the interrupt mask bit for the corresponding interrupts.

This API is available only for PSoC 4-MC devices.

**Parameters:** intrMask Bit position:

| Parameter Value            | Description |
|----------------------------|-------------|
| CY_SYS_PLL_INTR_PLL_LOCK   | 1           |
| CY_SYS_PLL_INTR_WD_ERR     | 2           |
| CY_SYS_PLL_INTR_CSV_CLK_SW | 4           |

A logical OR of above can be used as input parameter.

***uint32 CySysClkPllGetInterruptMask(void)***

**Description:** This API returns the current interrupt mask register value.

This API is available only for PSoC 4-MC devices.

**Parameters:** None

**Return Value:** Bit position:

| Parameter Value            | Description |
|----------------------------|-------------|
| CY_SYS_PLL_INTR_PLL_LOCK   | 1           |
| CY_SYS_PLL_INTR_WD_ERR     | 2           |
| CY_SYS_PLL_INTR_CSV_CLK_SW | 4           |

If the corresponding bit is reset (0) then the interrupt is masked.

***void CySysClkPllSetInterrupt(uint32 interrupt)***

**Description:** This API asserts an interrupt. This can be used for firmware debugging.

This API is available only for PSoC 4-MC devices.

**Parameters:** Bit position:

| Parameter Value            | Description |
|----------------------------|-------------|
| CY_SYS_PLL_INTR_PLL_LOCK   | 1           |
| CY_SYS_PLL_INTR_WD_ERR     | 2           |
| CY_SYS_PLL_INTR_CSV_CLK_SW | 4           |

A logical OR of the above can be used.

***void CySysClkPllCsvEnable(void)***

**Description:** This API enables clock supervision on PLL frequency lock and loss.

This API is available only for PSoC 4-MC devices.

***void CySysClkPllCsvDisable(void)***

**Description:** This API disables clock supervision on PLL.

This API is available only for PSoC 4-MC devices.

***void CySysClkPllCsvSetSpvrCtl(uint32 startupDelay, uint32 csvSwitch)***

**Description:** This API enables sets the clock supervision parameters.

This API is available only for PSoC 4-MC devices.

**Parameters:** startupDelay: startup delay time -1 in reference clock cycles after enable or deep sleep wake up from reference clock start to monitored clock start

csvSwitch:

| Parameter Value          | Description   |
|--------------------------|---|
| CY_SYS_PLL_CSV_INT_EN    | Enable INTR.CSV_CLK_SW if a clock switch occurs to IMO                |
| CY_SYS_PLL_CSV_TRIG_EN   | Enable CSV to cause trigger if a clock switch occurs to IMO           |
| CY_SYS_PLL_CSV_CLK_SW_EN | Enable CSV to cause clock switch IMO (enabled by default in hardware) |

***void CySysClkPllCsvSetRefLimits(uint32 lower, uint32 upper)***

**Description:** This API sets the cycle time lower and upper limits.

This API is available only for PSoC 4-MC devices.

**Parameters:** lower: Sets the lower limit -1, in reference clock cycles, before the next monitored clock event is allowed to happen. If a monitored clock event happens before this limit is reached a CSV error is detected.

upper: Sets the upper limit -1, in reference clock cycles, before (or same time) the next monitored clock event must happen. If a monitored clock event does not happen before this limit is reached, or does not happen at all (clock loss), a CSV error is detected.

***uint32 CySysClkPllCsvGetRefLimits(void)***

**Description:** This API gets the cycle time lower and upper limits.

This API is available only for PSoC 4-MC devices.

**Parameters:** None

**Return Value:** Bits 31:16 – upper limit  
 Bits 15:0 – lower limit

***void CySysClkPllCsvSetPeriod(uint32 period)***

**Description:** This API sets the csv period time.

This API is available only for PSoC 4-MC devices.

**Parameters:** period: Set the Period -1, in monitored clock cycles, before the next monitored clock event happens.

$PERIOD \leq (UPPER+1) / \text{FREQ\_RATIO} - 1$ , with  $\text{FREQ\_RATIO} = (\text{Reference frequency} / \text{Monitored frequency})$

In case the clocks are asynchronous:  $PERIOD \leq UPPER / \text{FREQ\_RATIO} - 1$

***uint32 CySysClkPllCsvGetPeriod(void)***

**Description:** This API returns the CSV period time.

This API is available only for PSoC 4-MC devices.

**Return Value:** Period time

***void CySysClkPllCsvEnableReset()***

**Description:** This API enables the system reset feature when the clock supervisor switches the clock source to IMO. A programmable delay counter starts at delay count value (see CySysClkPllCsvReloadPgmDlyCounter API) and counts down.

The CSV block will assert system reset when the counter reaches zero unless firmware intervenes and reloads the counter using CySysClkPllCsvReloadPgmDlyCounter() API.

This API is available only for PSoC 4-MC devices.

**Side Effects:** If a clock switch occurs, CSV block will reset the device when the delay counter reaches zero unless firmware reloads the counter using CySysClkPllCsvReloadPgmDlyCounter() API.

***void CySysClkPllCsvDisableReset()***

**Description:** This API disables the system reset feature when the clock supervisor switches the clock source to IMO.

This API is available only for PSoC 4-MC devices.

***void CySysClkPllCsvReloadPgmDlyCounter(uint32 delayCount)***

**Description:** This API reloads the programmable delay counter with the delay count value.

This API is available only for PSoC 4-MC devices.

**Parameters:** delayCount: Valid range 0-65535, device default value is 256

Sets the number of counts of IMO clock before system reset is asserted.

## Low Voltage Analog Boost Clocks

When the operating voltage ( $V_{dda}$ ) of a PSoC device drops below 4.0 V, the analog pumps for the analog routing switches must be enabled by calling the [SetAnalogRoutingPumps\(\)](#) function with the corresponding parameter. On PSoC 4 devices the pumps may be left on at all voltages, but it is recommended to disable them above 4.0 V so as to reduce current draw. It is the user's responsibility to monitor the  $V_{dda}$  level at run-time and enable/disable the pumps as appropriate.

The analog pumps for the analog routing switches are configured on device startup based on the **Vdda** and **Variable Vdda** design-time options. The **Variable Vdda** option in the **System** tab of the PSoC Creator Design-Wide Resources (DWR) file is added to allow for designs in which the value of **Vdda** is expected to vary at runtime. If **Variable Vdda** is enabled, the `SetAnalogRoutingPumps()` function described above will be generated. If **Vdda** < 4.0 V, the routing pumps will be automatically enabled on reset.

On PSoC 4 devices, the IMO must be enabled if **Variable Vdda** is enabled or **Vdda** < 4.0 V. This is because the clock for the analog switch pump is driven from the IMO.

### ***void SetAnalogRoutingPumps(uint8 enabled)***

**Description:** Enables or disables the analog pumps feeding analog routing switches. Intended to be called at startup, based on the  $V_{dda}$  system configuration; may be called during operation when the user informs us that the  $V_{dda}$  voltage crossed the pump threshold.

**Parameters:** enabled:

- 1: Enable the pumps.
- 0: Disable the pumps.

# 4 Power Management



There is a full range of power modes supported by PSoC devices to control power consumption and the amount of available resources. See the following table for the supported power modes.

| Mode       | PSoC 4000 / PSoC 4000S / PSoC 4100S / PSoC Analog Coprocessor | Other devices |
|------------|---|---------------|
| Active     | ✓   | ✓             |
| Sleep      | ✓   | ✓             |
| Deep Sleep | ✓   | ✓             |
| Hibernate  |   | ✓             |
| Stop       |   | ✓             |

PSoC 4 devices support the following power modes (in order of high to low power consumption): Active, Sleep, Deep Sleep, Hibernate, and Stop. Active, Sleep and Deep-Sleep are standard ARM defined power modes, supported by the ARM CPUs. Hibernate/Stop are even lower power modes that are entered from firmware just like Deep-Sleep, but on wakeup the CPU (and all peripherals) goes through a full reset.

For the ARM-based devices (PSoC 4), an interrupt is required for the CPU to wake up. The Power Management implementation assumes that wakeup time is configured with a separate component (component-based wakeup time configuration) for an interrupt to be issued on terminal count.

All pending interrupts should be cleared before the device is put into low power mode, even if they are masked.

The Power Management API is provided in the *CyPm.c* and *CyPm.h* files.

## Implementation

For **PSoC 4100 and PSoC 4200** devices, the software should set EXT\_VCCD bit in the PWR\_CONTROL register when Vccd is shorted to Vddd on the board. This impacts the chip internal state transitions where it is necessary to know whether Vccd is connected or floating to achieve minimum current in low power modes. **Note** Setting this bit turns off the active regulator and will lead to a system reset unless both Vddd and Vccd pins are supplied externally. Refer to the device TRM for more information.

It is safe to call PM APIs from the ISR. The wakeup conditions for Sleep and DeepSleep low power modes are illustrated in the following table.

| Interrupts State | Condition                    | Wakeup | ISR Execution |
|------------------|------------------------------|--------|---------------|
| Unmasked         | IRQ priority > current level | Yes    | Yes           |
|                  | IRQ priority ≤ current level | No     | No            |
| Masked           | IRQ priority > current level | Yes    | No            |
|                  | IRQ priority ≤ current level | No     | No            |

## Clock Configuration (PSoC 4100 BLE / PSoC 4200 BLE / PProC BLE)

For **PSoC 4100 BLE**, **PSoC 4200 BLE** and **PProC BLE** devices, the HFCLK source should be set to IMO before switching the device into low power mode. The IMO should be enabled (by calling `CySysClkImoStart()`, if it is not) and HFCLK source should be changed to IMO by calling `CySysClkWriteHfclkDirect(CY_SYS_CLK_HFCLK_IMO)`.

If the System clock frequency is increased by switching to the IMO, the `CySysFlashSetWaitCycles()` function with an appropriate parameter should be called beforehand. Also, it can optionally be called after lowering the System clock frequency in order to improve CPU performance. See `CySysFlashSetWaitCycles()` description for the details.

## Power Management APIs

### *void CySysPmSleep(void)*

**Description:** Puts the part into the Sleep state. This is a CPU-centric power mode. It means that the CPU has indicated that it is in “sleep” mode and its main clock can be removed. It is identical to Active from a peripheral point of view. Any enabled interrupts can cause wakeup from a Sleep mode.

### *void CySysPmDeepSleep(void)*

**Description:** Puts the part into the Deep Sleep state.

If firmware attempts to enter this mode before the system is ready (that is, when `PWR_CONTROL.LPM_READY = 0`), then the device will go into Sleep mode instead and automatically enter the originally intended mode when the hold-off expires. The wakeup occurs when an interrupt is received from a DeepSleep or Hibernate peripheral. For more details, see corresponding peripheral’s datasheet.

### *void CySysPmHibernate(void)*

**Description:** It puts the part into the Hibernate state. Only SRAM and UDBs are retained; most internal supplies are off. Wakeup is possible from a pin or a hibernate comparator only.

**Side Effects and Restrictions:** This function does not apply to the PSoC 4000 family.

It is expected that the firmware has already frozen the IO-Cells using `CySysPmFreezeIo()` function before the call to this function. If this is omitted the IO-cells will be frozen in the same way as they are in the Active to Deep Sleep transition, but will lose their state on wake up (because of the reset occurring at that time).

Because all CPU state is lost, the CPU will start up at the reset vector. To save firmware state through Hibernate low power mode, corresponding variable should be defined with `CY_NOINIT` attribute. It prevents data from being initialized to zero on startup. The interrupt cause of the hibernate peripheral is retained, such that it can be either read by the firmware or cause an interrupt after the firmware has booted and enabled the corresponding interrupt. To distinguish the wakeup from the Hibernate mode and the general Reset event, the `CySysPmGetResetReason()` function could be used.



### ***void CySysPmStop(void)***

**Description:** Puts the part into the Stop state. All internal supplies are off; no state is retained.

Wakeup from Stop is performed by toggling the wakeup pin (PSoC 4100 / PSoC 4200 / PSoC 4200M – P0.7, PSoC 4100 BLE / PSoC 4200 BLE / PRoC BLE – P2.2), causing a normal boot procedure to occur.

- To configure the wakeup pin, the Digital Input Pin component should be placed on the schematic, assigned to the appropriate wakeup pin, and resistively pulled up or down to the inverse state of the wakeup polarity.
- To distinguish the wakeup from the Stop mode and the general Reset event, CySysPmGetResetReason() function could be used. The wakeup pin is active low by default. The wakeup pin polarity could be changed with the CySysPmSetWakeupPolarity() function.

**Side Effects and Restrictions:** This function does not apply to the PSoC 4000 family.

This function freezes IO cells implicitly. It is not possible to enter STOP mode before freezing the IO cells. The IO cells remain frozen after awake from the Stop mode until the firmware unfreezes them after booting explicitly with CySysPmUnfreezelo() function call.

### ***void CySysPmSetWakeupPolarity(uint32 polarity)***

**Description:** Wake up from stop mode is performed by toggling the wakeup pin (P0.7), causing a normal boot procedure to occur. This function assigns the wakeup pin active level. Setting the wakeup pin to this level will cause the wakeup from stop mode. The wakeup pin is active low by default.

**Parameters:** polarity: Wakeup pin active level

| Define                        | Description                        |
|-------------------------------|------------------------------------|
| CY_PM_STOP_WAKEUP_ACTIVE_LOW  | Logical zero will wake up the chip |
| CY_PM_STOP_WAKEUP_ACTIVE_HIGH | Logical one will wake up the chip  |

### ***uint32 CySysPmGetResetReason(void)***

**Description:** Retrieves last reset reason - transition from OFF/XRES/STOP/HIBERNATE to RESET state. Note that waking up from STOP using XRES will be perceived as general RESET.

**Return Value:** Reset reason

| Define                         | Reset reason                              |
|--------------------------------|---|
| CY_PM_RESET_REASON_UNKN        | Unknown                                   |
| CY_PM_RESET_REASON_XRES        | Transition from OFF/XRES to RESET         |
| CY_PM_RESET_REASON_WAKEUP_HIB  | Transition/wakeup from HIBERNATE to RESET |
| CY_PM_RESET_REASON_WAKEUP_STOP | Transition/wakeup from STOP to RESET      |

***void CySysPmFreezelo(void)***

**Description:** Freezes IO-Cells directly to save IO-Cell state on wake up from Hibernate or Stop mode. It is not required to call this function before entering Stop mode, since the CySysPmStop() function freezes IO-Cells implicitly.

This API is not available for PSoC 4000 family of devices.

***void CySysPmUnfreezelo(void)***

**Description:** The IO-Cells remain frozen after awake from Hibernate or Stop mode until the firmware unfreezes them after booting. The call of this function unfreezes IO-Cells explicitly.

If the firmware intent is to retain the data value on the port, then the value must be read and re-written to the data register before calling this API. Furthermore, the drive mode must be re-programmed. If this is not done, the pin state will change to default state the moment the freeze is removed.

This API is not available for PSoC 4000 family of devices.

***void CySysPmSetWakeupHoldoff(uint32 hfclkFrequencyMhz)***

**Description:** Sets the Deep Sleep wakeup time by scaling the hold-off to the HFCLK frequency. This function must be called before increasing HFCLK clock frequency. It can optionally be called after lowering HFCLK clock frequency in order to improve Deep Sleep wakeup time.

It is functionally acceptable to leave the default hold-off setting, but Deep Sleep wakeup time may exceed the specification.

This function is applicable only for the PSoC 4000 family.

**Parameters:** uint32 hfclkFrequencyMhz: The HFCLK frequency in MHz. For example, if IMO frequency is 24 MHz, and HFCLK divider is 2, the function should be called with parameter 12 (the SYSCLK divider value should not be taken into account).

# 5 Interrupts



The APIs in this chapter apply to all architectures except as noted. The Interrupts API is provided in the *CyLib.c* and *CyLib.h* files. Refer also to the Interrupt component datasheet for more information about interrupts.

## APIs

### CyGlobalIntEnable

**Description:** Macro statement that allows interrupts execution by clearing the PRIMASK register. Refer to the ARM Cortex-M0 documentation for more details.

### CyGlobalIntDisable

**Description:** Macro statement that prevents interrupts execution by setting the PRIMASK register. Refer to the ARM Cortex-M0 documentation for more details.

### uint32 CyDisableInts()

**Description:** Disables all interrupts.

**Return Value:** 32-bit mask of interrupts previously enabled.

### void CyEnableInts(uint32 mask)

**Description:** Enables all interrupts specified in the 32-bit mask.

**Parameters:** mask: 32-bit mask of interrupts to enable.

### void CyIntEnable(uint8 number)

**Description:** Enables the specified interrupt number.

**Parameters:** number: Interrupt number. Valid range: [0-31]

**void CyIntDisable(uint8 number)**

**Description:** Disables the specified interrupt number.

**Parameters:** number: Interrupt number. Valid range: [0-31]

**uint8 CyIntGetState(uint8 number)**

**Description:** Gets the enable state of the specified interrupt number.

**Parameters:** number: Interrupt number. Valid range: [0-31].

**Return Value:** Enable status: 1 if enabled, 0 if disabled.

**cyisraddress CyIntSetVector(uint8 number, cyisraddress address)**

**Description:** Sets the interrupt vector of the specified interrupt number.

**Parameters:** number: Interrupt number. Valid range: [0-31].

address: Pointer to an interrupt service routine.

**Return Value:** Previous interrupt vector value.

**cyisraddress CyIntGetVector(uint8 number)**

**Description:** Gets the interrupt vector of the specified interrupt number.

**Parameters:** number: Interrupt number. Valid range: [0-31].

**Return Value:** Interrupt vector value.

### cyisraddress CyIntSetSysVector(uint8 number, cyisraddress address)

**Description:** This function applies to ARM based processors only. It sets the interrupt vector of the specified exception. These exceptions in the ARM architecture operate similar to user interrupts, but are specified by the system architecture of the processor. The number of each exception is fixed. Note that the numbering of these exceptions is separate from the numbering used for user interrupts.

**Parameters:** number: Exception number. Valid range: [0-15].

| Define                    | Exception Number  |
|---------------------------|---|
| CY_INT_NMI_IRQN           | Non Maskable Interrupt.                                   |
| CY_INT_HARD_FAULT_IRQN    | Hard Fault Interrupt.                                     |
| CY_INT_MEM_MANAGE_IRQN    | Memory Management Interrupt.<br>Not available for PSoC 4. |
| CY_INT_BUS_FAULT_IRQN     | Bus Fault Interrupt.<br>Not available for PSoC 4.         |
| CY_INT_USAGE_FAULT_IRQN   | Usage Fault Interrupt,<br>Not available for PSoC 4.       |
| CY_INT_SVCALL_IRQN        | SV Call Interrupt.  |
| CY_INT_DEBUG_MONITOR_IRQN | Debug Monitor Interrupt.<br>Not available for PSoC 4.     |
| CY_INT_PEND_SV_IRQN       | Pend SV Interrupt.  |
| CY_INT_SYSTICK_IRQN       | System Tick Interrupt.                                    |

address: Pointer to an interrupt service routine

**Return Value:** Previous interrupt vector value

### cyisraddress CyIntGetSysVector(uint8 number)

**Description:** This function applies to ARM based processors only. It gets the interrupt vector of the specified exception. These exceptions in the ARM architecture operate similar to user interrupts, but are specified by the system architecture of the processor. The number of each exception is fixed. Note that the numbering of these exceptions is separate from the numbering used for user interrupts.

**Parameters:** number: Exception number. Valid range: [0-15].

**Return Value:** Interrupt vector value

### void CyIntSetPriority(uint8 number, uint8 priority)

**Description:** Sets the priority of the specified interrupt number.

**Parameters:** number: Interrupt number. Valid range: [0-31]

priority: Interrupt priority. 0 is the highest priority. Valid range: [0-3].

**uint8 CyIntGetPriority(uint8 number)**

**Description:** Gets the priority of the specified interrupt number.

**Parameters:** number: Interrupt number. Valid range: [0-31]

**Return Value:** Interrupt priority

**void CyIntSetPending(uint8 number)**

**Description:** Forces the specified interrupt number to be pending.

**Parameters:** number: Interrupt number. Valid range: [0-31]

**void CyIntClearPending(uint8 number)**

**Description:** Clears any pending interrupt for the specified interrupt number.

**Parameters:** number: Interrupt number. Valid range: [0-31]

# 6 Pins



For PSoC 4, there are status registers, data output registers, and port configuration registers only, so the macro takes two arguments: port register and pin number. Each port has these registers addresses defined:

```
CYREG_PRTx_DR
CYREG_PRTx_PS
CYREG_PRTx_PC
```

The x is the port number, and the second argument is the pin number.

## PSoC 4 APIs

### CY\_SYS\_PINS\_READ\_PIN(portPS, pin)

**Description:** Reads the current value on the pin (pin state, PS).

**Parameters:** portPS: Address of port pin status register (uint32). Definitions for each port are provided in the *cydevice\_trm.h* file in the form: CYREG\_PRTx\_PS, where x is a port number 0 - 4.  
pin: pin number 0 – 7.

**Return Value:** Pin state:  
0: Logic low value  
Non-0: Logic high value

### CY\_SYS\_PINS\_SET\_PIN(portDR, pin)

**Description:** Set the output value for the pin (data register, DR) to a logic high.  
Note that this only has an effect for pins configured as software pins that are not driven by hardware.  
The macro operation is not atomic. It is not guaranteed that the shared register will remain uncorrupted during simultaneous read/modify/write operations performed by two threads (main and interrupt threads). To guarantee data integrity in such cases, the macro should be invoked while the specific interrupt is disabled or within the critical section (all interrupts are disabled).

**Parameters:** portDR: Address of port output pin data register (uint32). Definitions for each port are provided in the *cydevice\_trm.h* file in the form: CYREG\_PRTx\_DR, where x is a port number 0 - 4.  
pin: pin number 0 - 7.

### CY\_SYS\_PINS\_CLEAR\_PIN(portDR, pin)

- Description:** This macro sets the state of the specified pin to zero. The macro operation is not atomic. It is not guaranteed that the shared register will remain uncorrupted during simultaneous read/modify/write operations performed by two threads (main and interrupt threads). To guarantee data integrity in such cases, the macro should be invoked while the specific interrupt is disabled or within the critical section (all interrupts are disabled).
- Parameters:** portDR: Address of port output pin data register (uint32). Definitions for each port are provided in the *cydevice\_trm.h* file in the form: CYREG\_PRTx\_DR, where x is a port number 0 - 4.  
pin: pin number 0 – 7.

### CY\_SYS\_PINS\_SET\_DRIVE\_MODE(portPC, pin, mode)

- Description:** Sets the drive mode for the pin (DM). The macro operation is not atomic. It is not guaranteed that the shared register will remain uncorrupted during simultaneous read/modify/write operations performed by two threads (main and interrupt threads). To guarantee data integrity in such cases, the macro should be invoked while the specific interrupt is disabled or within the critical section (all interrupts are disabled).
- Parameters:** portPC: Address of port configuration register (uint32). Definitions for each port are provided in the *cydevice\_trm.h* file in the form: CYREG\_PRTx\_PC, where x is a port number 0 - 4.  
pin: pin number 0 – 7.  
mode: Desired drive mode

| Define                   | Source                  |
|--------------------------|-------------------------|
| CY_SYS_PINS_DM_ALG_HIZ   | Analog HiZ              |
| CY_SYS_PINS_DM_DIG_HIZ   | Digital HiZ             |
| CY_SYS_PINS_DM_RES_UP    | Resistive pull up       |
| CY_SYS_PINS_DM_RES_DWN   | Resistive pull down     |
| CY_SYS_PINS_DM_OD_LO     | Open drain - drive low  |
| CY_SYS_PINS_DM_OD_HI     | Open drain - drive high |
| CY_SYS_PINS_DM_STRONG    | Strong CMOS Output      |
| CY_SYS_PINS_DM_RES_UPDWN | Resistive pull up/down  |



## CY\_SYS\_PINS\_READ\_DRIVE\_MODE(portPC, pin)

**Description:** Reads the drive mode for the pin (DM).

**Parameters:** portPC: Address of port configuration register (uint32). Definitions for each port are provided in the *cydevice\_tm.h* file in the form: CYREG\_PRTx\_PC, where x is a port number 0 - 4.

pin: pin number 0 – 7.

**Return Value:** Current drive mode for the pin

| Define                    | Source                  |
|---------------------------|-------------------------|
| CY_SYS_PINS_DM_ALG_HIZ    | Analog HiZ              |
| CY_SYS_PINS_DM_DIG_HIZ    | Digital HiZ             |
| CY_SYS_PINS_DM_RES_UP     | Resistive pull up       |
| CY_SYS_PINS_DM_RES_DWN    | Resistive pull down     |
| CY_SYS_PINS_DM_OD_LO      | Open drain - drive low  |
| CY_SYS_PINS_DM_OD_HI      | Open drain - drive high |
| CY_SYS_PINS_DM_STRONG     | Strong CMOS Output      |
| CY_SYS_PINS_DM_RES_UPDOWN | Resistive pull up/down  |

# 7 Register Access



A library of macros provides read and write access to the registers of the device. These macros are used with the defined values made available in the generated *cydevice\_trm.h* and *cyfitter.h* files. Access to registers should be made using these macros and not the functions that are used to implement the macros. This allows for device independent code generation.

The PSoC 4 processor architecture use little endian ordering.

SRAM and Flash storage in all architectures is done using the endianness of the architecture and compilers. However, the registers in all these chips are laid out in little endian order. These macros allow register accesses to match this little endian ordering. If you perform operations on multi-byte registers without using these macros, you must consider the byte ordering of the specific architecture. Examples include usage of DMA to transfer between memory and registers, as well as function calls that are passed an array of bytes in memory.

The PSoC 4 requires these accesses to be aligned to the width of the transaction.

The PSoC 4 requires peripheral register accesses to match the hardware register size. Otherwise, the peripheral might ignore the transfer and Hard Fault exception will be generated.

## APIs

### **uint8 CY\_GET\_REG8(uint32 reg)**

**Description:** Reads the 8-bit value from the specified register.

**Parameters:** reg: Register address (

**Return Value:** Read value

### **void CY\_SET\_REG8(uint32 reg, uint8 value)**

**Description:** Writes the 8-bit value to the specified register.

**Parameters:** reg: Register address

value: Value to write

**uint16 CY\_GET\_REG16(uint32 reg)**

**Description:** Reads the 16-bit value from the specified register. This macro implements the byte swapping required for proper operation.

**Parameters:** reg: Register address

**Return Value:** Read value

**void CY\_SET\_REG16(uint32 reg, uint16 value)**

**Description:** Writes the 16-bit value to the specified register. This macro implements the byte swapping required for proper operation.

**Parameters:** reg: Register address

value: Value to write

**uint32 CY\_GET\_REG24(uint32 reg)**

**Description:** Reads the 24-bit value from the specified register. This macro implements the byte swapping required for proper operation.

**Parameters:** reg: Register address

**Return Value:** Read value

**void CY\_SET\_REG24(uint32 reg, uint32 value)**

**Description:** Writes the 24-bit value to the specified register. This macro implements the byte swapping required for proper operation.

**Parameters:** reg: Register address

value: Value to write

**uint32 CY\_GET\_REG32(uint32 reg)**

**Description:** Reads the 32-bit value from the specified register. This macro implements the byte swapping required for proper operation.

**Parameters:** reg: Register address

**Return Value:** Read value

**void CY\_SET\_REG32(uint32 reg, uint32 value)**

**Description:** Writes the 32-bit value to the specified register. This macro implements the byte swapping required for proper operation.

**Parameters:** reg: Register address

value: Value to write

**uint8 CY\_GET\_XTND\_REG8(uint32 reg)**

**Description:** Reads the 8-bit value from the specified register. Identical to CY\_GET\_REG8 for PSoC 4.

**Parameters:** reg: Register address

**Return Value:** Read value

**void CY\_SET\_XTND\_REG8(uint32 reg, uint8 value)**

**Description:** Writes the 8-bit value to the specified register. Identical to CY\_SET\_REG8 for PSoC 4.

**Parameters:** reg: Register address

value: Value to write

**uint16 CY\_GET\_XTND\_REG16(uint32 reg)**

**Description:** Reads the 16-bit value from the specified register. This macro implements the byte swapping required for proper operation. Identical to CY\_GET\_REG16 for PSoC 4.

**Parameters:** reg: Register address

**Return Value:** Read value

**void CY\_SET\_XTND\_REG16(uint32 reg, uint16 value)**

**Description:** Writes the 16-bit value to the specified register. This macro implements the byte swapping required for proper operation. Identical to CY\_SET\_REG16 for PSoC 4.

**Parameters:** reg: Register address

value: Value to write

**uint32 CY\_GET\_XTND\_REG24(uint32 reg)**

**Description:** Reads the 24-bit value from the specified register. This macro implements the byte swapping required for proper operation. Identical to CY\_GET\_REG24 for PSoC 4.

**Parameters:** reg: Register address

**Return Value:** Read value

**void CY\_SET\_XTND\_REG24(uint32 reg, uint32 value)**

**Description:** Writes the 24-bit value to the specified register. This macro implements the byte swapping required for proper operation. Identical to CY\_SET\_REG24 for PSoC 4.

**Parameters:** reg: Register address

Value to write

### uint32 CY\_GET\_XTND\_REG32(uint32 reg)

**Description:** Reads the 32-bit value from the specified register. This macro implements the byte swapping required for proper operation. Identical to CY\_GET\_REG32 for PSoC 4.

**Parameters:** reg: Register address

**Return Value:** Read value

### void CY\_SET\_XTND\_REG32(uint32 reg, uint32 value)

**Description:** Writes the 32-bit value to the specified register. This macro implements the byte swapping required for proper operation. Identical to CY\_SET\_REG32 for PSoC 4.

**Parameters:** reg: Register address

value: Value to write

## Bit Field Manipulation

The following macros shall provide bit field manipulation functionality.

| Macro                | Description  |
|----------------------|--|
| CY_GET_REG8_FIELD    | Reads the specified bit field value from the specified 8-bit register.                     |
| CY_SET_REG8_FIELD    | Sets the specified bit field value of the specified 8-bit register to the required value.  |
| CY_CLEAR_REG8_FIELD  | Clears the specified bit field of the specified 8-bit register.                            |
| CY_GET_REG16_FIELD   | Reads the specified bit field value from the specified 16-bit register.                    |
| CY_SET_REG16_FIELD   | Sets the specified bit field value of the specified 16-bit register to the required value. |
| CY_CLEAR_REG16_FIELD | Clears the specified bit field of the specified 16-bit register.                           |
| CY_GET_REG32_FIELD   | Reads the specified bit field value from the specified 32-bit register.                    |
| CY_SET_REG32_FIELD   | Sets the specified bit field value of the specified 32-bit register to the required value. |
| CY_CLEAR_REG32_FIELD | Clears the specified bit field of the specified 32-bit register.                           |
| CY_GET_FIELD         | Reads the specified bit field value from the given 32-bit value.                           |
| CY_SET_FIELD         | Sets the specified bit field value within a given 32-bit value.                            |

## **CY\_GET\_REG8\_FIELD(registerName, bitFieldName)**

**Description:** Reads the specified bit field value from the specified 8-bit register.  
The macro operation is not atomic. It is not guaranteed that shared register will remain uncorrupted during simultaneous read-modify-write operations performed by two threads (main and interrupt threads). To guarantee data integrity in such cases, the macro should be invoked while the specific interrupt is disabled or within critical section (all interrupts are disabled).

Using this macro on registers of 32-bit and 16-bit width will generate a hard fault exception. Examples of 8-bit registers are the UDB registers.

**Parameters:** registerName: fully qualified name of the PSoC 4 device register  
bitFieldName: fully qualified name of the bit field. The bitFieldName is automatically appended with `__OFFSET` and `__SIZE` by the macro for usage.  
For fully qualified names of register and bit field, please refer to the respective PSoC family register TRM.

**Return Value:** Zero if specified bit field equals zero, and non-zero value, otherwise. The return value is of type `uint32`.

## **CY\_SET\_REG8\_FIELD(registerName, bitFieldName, value)**

**Description:** Sets the specified bit field value of the specified 8-bit register to the required value.

The macro operation is not atomic. It is not guaranteed that shared register will remain uncorrupted during simultaneous read-modify-write operations performed by two threads (main and interrupt threads). To guarantee data integrity in such cases, the macro should be invoked while the specific interrupt is disabled or within critical section (all interrupts are disabled).

Using this macro on registers of 32-bit and 16-bit width will generate a hard fault exception. Examples of 8-bit registers are the UDB registers.

**Parameters:** registerName: fully qualified name of the PSoC 4 device register  
bitFieldName: fully qualified name of the bit field. The bitFieldName is automatically appended with `__OFFSET` and `__SIZE` by the macro for usage.

value: value that the field must be configured for

For fully qualified names of register and bit field and the possible values the field can take, please refer to the respective PSoC family register TRM.

## **CY\_CLEAR\_REG8\_FIELD(registerName, bitFieldName)**

**Description:** Clears the specified bit field of the specified 8-bit register.

The macro operation is not atomic. It is not guaranteed that shared register will remain uncorrupted during simultaneous read-modify-write operations performed by two threads (main and interrupt threads). To guarantee data integrity in such cases, the macro should be invoked while the specific interrupt is disabled or within critical section (all interrupts are disabled). Using this macro on registers of 32-bit and 16-bit width will generate a hard fault exception. Examples of 8-bit registers are the UDB registers.

**Parameters:** registerName: fully qualified name of the PSoC 4 device register  
bitFieldName: fully qualified name of the bit field. The bitFieldName is automatically appended with \_\_OFFSET and \_\_SIZE by the macro for usage.  
For fully qualified names of register and bit field and the possible values the field can take, please refer to the respective PSoC family register TRM.

## **CY\_GET\_REG16\_FIELD(registerName, bitFieldName)**

**Description:** Reads the specified bit field value from the specified 16-bit register.  
The macro operation is not atomic. It is not guaranteed that shared register will remain uncorrupted during simultaneous read-modify-write operations performed by two threads (main and interrupt threads). To guarantee data integrity in such cases, the macro should be invoked while the specific interrupt is disabled or within critical section (all interrupts are disabled). Using this macro on registers of 32-bit and 8-bit width will generate a hard fault exception. Examples of 16-bit registers are the UDB registers.

**Parameters:** registerName: fully qualified name of the PSoC 4 device register  
bitFieldName: fully qualified name of the bit field. The bitFieldName is automatically appended with \_\_OFFSET and \_\_SIZE by the macro for usage.  
For fully qualified names of register and bit field, please refer to the respective PSoC family register TRM.

**Return Value:** Zero if specified bit field equals zero, and non-zero value, otherwise. The return value is of type uint32.

## **CY\_SET\_REG16\_FIELD(registerName, bitFieldName, value)**

**Description:** Sets the specified bit field value of the specified 16-bit register to the required value.

The macro operation is not atomic. It is not guaranteed that shared register will remain uncorrupted during simultaneous read-modify-write operations performed by two threads (main and interrupt threads). To guarantee data integrity in such cases, the macro should be invoked while the specific interrupt is disabled or within critical section (all interrupts are disabled). Using this macro on registers of 32-bit and 8-bit width will generate a hard fault exception. Examples of 16-bit registers are the UDB registers.

**Parameters:** registerName: fully qualified name of the PSoC 4 device register  
bitFieldName: fully qualified name of the bit field. The bitFieldName is automatically appended with \_\_OFFSET and \_\_SIZE by the macro for usage.  
value: value that the field must be configured for  
For fully qualified names of register and bit field and the possible values the field can take, please refer to the respective PSoC family register TRM.

## **CY\_CLEAR\_REG16\_FIELD(registerName, bitFieldName)**

**Description:** Clears the specified bit field of the specified 16-bit register.

The macro operation is not atomic. It is not guaranteed that shared register will remain uncorrupted during simultaneous read-modify-write operations performed by two threads (main and interrupt threads). To guarantee data integrity in such cases, the macro should be invoked while the specific interrupt is disabled or within critical section (all interrupts are disabled). Using this macro on registers of 32-bit and 8-bit width will generate a hard fault exception. Examples of 16-bit registers are the UDB registers.

**Parameters:** registerName: fully qualified name of the PSoC 4 device register  
bitFieldName: fully qualified name of the bit field. The bitFieldName is automatically appended with \_\_OFFSET and \_\_SIZE by the macro for usage.  
For fully qualified names of register and bit field and the possible values the field can take, please refer to the respective PSoC family register TRM.



### **CY\_GET\_REG32\_FIELD(registerName, bitFieldName)**

**Description:** Reads the specified bit field value from the specified 32-bit register. The macro operation is not atomic. It is not guaranteed that shared register will remain uncorrupted during simultaneous read-modify-write operations performed by two threads (main and interrupt threads). To guarantee data integrity in such cases, the macro should be invoked while the specific interrupt is disabled or within critical section (all interrupts are disabled). Using this macro on registers of 16-bit and 8-bit width will generate a hard fault exception.

**Parameters:** registerName: fully qualified name of the PSoC 4 device register  
bitFieldName: fully qualified name of the bit field. The bitFieldName is automatically appended with \_\_OFFSET and \_\_SIZE by the macro for usage.  
For fully qualified names of register and bit field, please refer to the respective PSoC family register TRM.

**Return Value:** Zero if specified bit field equals zero, and non-zero value, otherwise. The return value is of type uint32.

### **CY\_SET\_REG32\_FIELD(registerName, bitFieldName, value)**

**Description:** Sets the specified bit field value of the specified 32-bit register to the required value.

The macro operation is not atomic. It is not guaranteed that shared register will remain uncorrupted during simultaneous read-modify-write operations performed by two threads (main and interrupt threads). To guarantee data integrity in such cases, the macro should be invoked while the specific interrupt is disabled or within critical section (all interrupts are disabled). Using this macro on registers of 16-bit and 8-bit width will generate a hard fault exception.

**Parameters:** registerName: fully qualified name of the PSoC 4 device register  
bitFieldName: fully qualified name of the bit field. The bitFieldName is automatically appended with \_\_OFFSET and \_\_SIZE by the macro for usage.  
value: value that the field must be configured for  
For fully qualified names of register and bit field and the possible values the field can take, please refer to the respective PSoC family register TRM.

## **CY\_CLEAR\_REG32\_FIELD(registerName, bitFieldName)**

**Description:** Clears the specified bit field of the specified 32-bit register.

The macro operation is not atomic. It is not guaranteed that shared register will remain uncorrupted during simultaneous read-modify-write operations performed by two threads (main and interrupt threads). To guarantee data integrity in such cases, the macro should be invoked while the specific interrupt is disabled or within critical section (all interrupts are disabled). Using this macro on registers of 16-bit and 8-bit width will generate a hard fault exception.

**Parameters:** registerName: fully qualified name of the PSoC 4 device register  
bitFieldName: fully qualified name of the bit field. The bitFieldName is automatically appended with `__OFFSET` and `__SIZE` by the macro for usage.  
For fully qualified names of register and bit field and the possible values the field can take, please refer to the respective PSoC family register TRM.

## **CY\_GET\_FIELD(regValue, bitFieldName)**

**Description:** Reads the specified bit field value from the given 32-bit value.

The macro operation is not atomic. It is not guaranteed that shared register will remain uncorrupted during simultaneous read-modify-write operations performed by two threads (main and interrupt threads). To guarantee data integrity in such cases, the macro should be invoked while the specific interrupt is disabled or within critical section (all interrupts are disabled). This macro has to be used in conjunction with `CY_GET_REG32` for atomic reads.

**Parameters:** regValue: value as read by `CY_GET_REG32`  
bitFieldName: fully qualified name of the bit field. The bitFieldName is automatically appended with `__OFFSET` and `__SIZE` by the macro for usage.  
For fully qualified names of bit field and the possible values the field can take, please refer to the respective PSoC family register TRM.

**Return Value:** Zero if specified bit field equals zero, and non-zero value, otherwise. The return value is of type `uint32`.

**CY\_SET\_FIELD(regValue, bitFieldName, value)**

**Description:** Sets the specified bit field value within a given 32-bit value. The macro operation is not atomic. It is not guaranteed that shared register will remain uncorrupted during simultaneous read-modify-write operations performed by two threads (main and interrupt threads). To guarantee data integrity in such cases, the macro should be invoked while the specific interrupt is disabled or within critical section (all interrupts are disabled). This macro has to be used in conjunction with CY\_GET\_REG32 for atomic reads and CY\_SET\_REG32 for atomic writes.

**Parameters:** regValue: value as read by CY\_GET\_REG32  
bitFieldName: fully qualified name of the bit field. The bitFieldName is automatically appended with \_\_OFFSET and \_\_SIZE by the macro for usage.  
value: value that the field must be configured for  
For fully qualified names of bit field and the possible values the field can take, please refer to the respective PSoC family register TRM.

# 8 Flash



## Memory Architecture

Flash memory in PSoC devices provides nonvolatile storage for user firmware, user configuration data, and bulk data storage. The main flash memory area contains up to 256 KB of user program space, depending on the device type.

See the device datasheet and TRM for more information on Flash architecture.

The API provides following device-specific definitions:

| Value                     | Description                                 |
|---------------------------|---|
| CY_FLASH_BASE             | The base pointer of the Flash memory.       |
| CY_FLASH_SIZE             | The size of the Flash memory.               |
| CY_FLASH_SIZEOF_ARRAY     | The size of Flash array.                    |
| CY_FLASH_SIZEOF_ROW       | The size of the Flash row.                  |
| CY_FLASH_NUMBER_ROWS      | The number of Flash row.                    |
| CY_FLASH_NUMBER_ARRAYS    | The number of Flash arrays.                 |
| CY_SFLASH_USERBASE        | The base pointer of the user SFlash memory. |
| CY_SFLASH_SIZE            | The size of the SFlash memory.              |
| CY_SFLASH_SIZEOF_USERROW  | The size of the SFlash row.                 |
| CY_SFLASH_NUMBER_USERROWS | The number of SFlash row.                   |

PSoC devices include a flexible flash-protection model that prevents access and visibility to on-chip flash memory. The device offers the ability to assign one of four protection levels to each row of flash:

- Unprotected
- Full Protection

The required protection level can be selected using the **Flash Security** tab of the PSoC Creator DWR file. Flash protection levels can only be changed by performing a complete flash erase. The Flash programming APIs will fail to write a row with Full Protection level. For more information on protection model, refer to the *Flash Security Editor* section in the PSoC Creator Help.

## Working with Flash

Flash programming operations are implemented as system calls. System calls are executed out of SROM in the privileged mode of operation. Users have no access to read or modify the SROM code. The CPU requests the system call by writing the function opcode and parameters to the System Performance Controller (SPC) input registers, and then requesting the SROM to execute the function. Based on the function opcode, the SPC executes the corresponding system call from SROM and updates the SPC status register. The CPU should read this status register for the pass/fail result of the function execution.

As part of function execution, the code in SROM interacts with the SPC interface to do the actual flash programming operations.

It can take as many as 20 milliseconds to write to flash. During this time, the device should not be reset, or unexpected changes may be made to portions of the flash. Reset sources include XRES pin, software reset, and watchdog. Make sure that these are not inadvertently activated. Also, the low voltage detect circuits should be configured to generate an interrupt instead of a reset.

The flash can be read either by the cache controller or the SPC. Flash write can be performed only by the SPC. Both the SPC and cache cannot simultaneously access flash memory. If the cache controller tries to access flash at the same time as the SPC, then it must wait until the SPC completes its flash access operation. The CPU, which accesses the flash memory through the cache controller, is therefore also stalled in this circumstance. If a CPU code fetch has to be done from flash memory due to a cache miss condition, then the cache would have to wait until the SPC completes the flash write operation. Thus the CPU code execution will also be halted till the flash write is complete. Flash is directly mapped into memory space and can be read directly.

**Note** Flash write operations on PSoC 4000 devices modify the clock settings of the device during the period of the write operation. Refer to the `CySysFlashWriteRow()` API documentation for details.

## APIs

### uint32 CySysFlashWriteRow(uint32 rowNum, const uint8 rowData[])

**Description:** Erases a row of Flash and programs it with the new data

**Parameters:** uint32 rowNum: The flash row number. The number of the flash rows is defined by the CY\_FLASH\_NUMBER\_ROWS macro for the selected device. Refer to the device datasheet for the details.

**Note** The target flash array is calculated based on the specified flash row.

uint8\* rowData: Array of bytes to write. The size of the array must be equal to the flash row size. The flash row size for the selected device is defined by the CY\_FLASH\_SIZEOF\_ROW macro. Refer to the device datasheet for the details.

**Return Value:** Status:

| Value                     | Description                            |
|---------------------------|--|
| CY_SYS_FLASH_SUCCESS      | Successful                             |
| CY_SYS_FLASH_INVALID_ADDR | Specified flash row address is invalid |
| CY_SYS_FLASH_PROTECTED    | Specified flash row is protected       |
| Other non-zero            | Failure                                |

**Side Effects and Restrictions:** The IMO must be enabled before calling this function. The operation of the flash writing hardware is dependent on the IMO.

For PSoC 4000, PSoC 4100 BLE, PSoC 4200 BLE devices (PSoC 4100 BLE, PSoC 4200 BLE devices with 256K of Flash memory are not affected), this API will automatically modify the clock settings for the device. Writing to flash requires that changes be made to the IMO and HFCLK settings. The configuration is restored before returning. This will impact the operation of most of the hardware in the device.

For PSoC 4000 devices, the HFCLK will have several frequency changes during the operation of this API between a minimum frequency of the current IMO frequency divided by 4 and a maximum frequency of 12 MHz.

For PSoC 4100 BLE, PSoC 4200 BLE, the IMO frequency is set to 48 MHz.

### void CySysFlashSetWaitCycles(uint32 freq)

**Description:** Sets the number of clock cycles the cache will wait before it samples data coming back from Flash. This function must be called before increasing SYSCLK clock frequency. It can optionally be called after lowering SYSCLK clock frequency in order to improve CPU performance.

**Parameters:** freq: Valid range [3-48]. Frequency for operation of the SYSCLK  
 Note: Invalid frequency will be ignored.

## uint32 CySysSFlashWriteUserRow(uint32 rowNum, uint8 \*rowData)

**Description:** Writes data to a row of SFlash user configurable area.

This API is applicable for PSoC 4100 BLE/PRoC BLE/PSoC 4200 BLE/PSoC 4200M/PSoC 4200L/PSoC 4000S/PSoC4100S/ PSoC Analog Coprocessor family of devices.

**Parameters:** rowNum: The flash row number. The number of the flash rows is defined by the CY\_SFLASH\_NUMBER\_USERROWS macro for the selected device. Refer to the device TRM for details. Valid range is 0-3.

rowData: Array of bytes to write. The size of the array must be equal to the flash row size. The flash row size for the selected device is defined by the CY\_SFLASH\_SIZEOF\_USERROW macro. Refer to the device TRM for the details.

**Return Value:** Status:

| Value                      | Description                             |
|----------------------------|---|
| CY_SYS_SFLASH_SUCCESS      | Successful                              |
| CY_SYS_SFLASH_INVALID_ADDR | Specified sflash row address is invalid |
| CY_SYS_SFLASH_PROTECTED    | Specified sflash row is protected       |
| Other non-zero             | Failure                                 |

## uint32 CySysFlashStartWriteRow(uint32 rowNum, const uint8 rowData[])

**Description:** Initiates a write to a row of Flash. A call to this API is non-blocking. Use CySysFlashResumeWriteRow() to resume flash writes and CySysFlashGetWriteRowStatus() to ascertain status of the write operation.

This API is applicable only for CCG3/PSoC 4 BLII device families. For CCG3 devices, parallel code execution and programming of flash is supported since 128k flash is available as two banks of 64k. Please refer to the device TRM for more details.

For PSoC 4 BLII devices, parallel code execution and programming of flash is supported since 256k flash is available as two banks of 128k. Please refer to the device TRM for more details.

**Parameters:** uint32 rowNum: The flash row number. The number of the flash rows is defined by the CY\_FLASH\_NUMBER\_ROWS macro for the selected device. Refer to the device datasheet for the details.

**Note** The target flash array is calculated based on the specified flash row.

For CCG3/PSoC 4 BLII, the target flash bank is calculated based on the specified flash row.

uint8\* rowData: Array of bytes to write. The size of the array must be equal to the flash row size. The flash row size for the selected device is defined by the CY\_FLASH\_SIZEOF\_ROW macro. Refer to the device datasheet for the details.

**Return Value:** Status:

| Value                     | Description                            |
|---------------------------|--|
| CY_SYS_FLASH_SUCCESS      | Successful                             |
| CY_SYS_FLASH_INVALID_ADDR | Specified flash row address is invalid |
| CY_SYS_FLASH_PROTECTED    | Specified flash row is protected       |
| CY_SYS_FLASH_BUSY         | Specified flash row is being written.  |
| Other non-zero            | Failure                                |

**Side Effects and Restrictions:** CCG3 devices require HFCLK to be sourced by 48 MHz IMO during flash write. This API will modify IMO configuration; it can be later restored to original configuration by calling CySysFlashGetWriteRowStatus().



### uint32 CySysFlashGetWriteRowStatus(void)

| <b>Description:</b>       | Returns the current status of the flash write operation.   |       |             |                      |            |                           |  |                        |                                  |                   |                                       |                |         |
|---------------------------|--|-------|-------------|----------------------|------------|---------------------------|--|------------------------|----------------------------------|-------------------|---------------------------------------|----------------|---------|
|                           | This API is applicable only for CCG3/PSoC 4 BLII device families.  |       |             |                      |            |                           |  |                        |                                  |                   |                                       |                |         |
|                           | For CCG3 devices, parallel code execution and programming of flash is supported since 128k flash is available as two banks of 64k. Please refer to the device TRM for more details.  |       |             |                      |            |                           |  |                        |                                  |                   |                                       |                |         |
|                           | CCG3 devices require HFCLK to be sourced by 48 MHz IMO during flash write. This API will restore original IMO configuration; that has been earlier modified by CySysFlashStartWriteRow().  |       |             |                      |            |                           |  |                        |                                  |                   |                                       |                |         |
|                           | For PSoC BLII devices, parallel code execution and programming of flash is supported since 256k flash is available as two banks of 128k. Please refer to the device TRM for more details.  |       |             |                      |            |                           |  |                        |                                  |                   |                                       |                |         |
| <b>Return Value:</b>      | <p>Status:</p> <table border="1"> <thead> <tr> <th>Value</th> <th>Description</th> </tr> </thead> <tbody> <tr> <td>CY_SYS_FLASH_SUCCESS</td> <td>Successful</td> </tr> <tr> <td>CY_SYS_FLASH_INVALID_ADDR</td> <td>Specified flash row address is invalid</td> </tr> <tr> <td>CY_SYS_FLASH_PROTECTED</td> <td>Specified flash row is protected</td> </tr> <tr> <td>CY_SYS_FLASH_BUSY</td> <td>Specified flash row is being written.</td> </tr> <tr> <td>Other non-zero</td> <td>Failure</td> </tr> </tbody> </table> | Value | Description | CY_SYS_FLASH_SUCCESS | Successful | CY_SYS_FLASH_INVALID_ADDR | Specified flash row address is invalid | CY_SYS_FLASH_PROTECTED | Specified flash row is protected | CY_SYS_FLASH_BUSY | Specified flash row is being written. | Other non-zero | Failure |
| Value                     | Description  |       |             |                      |            |                           |  |                        |                                  |                   |                                       |                |         |
| CY_SYS_FLASH_SUCCESS      | Successful   |       |             |                      |            |                           |  |                        |                                  |                   |                                       |                |         |
| CY_SYS_FLASH_INVALID_ADDR | Specified flash row address is invalid   |       |             |                      |            |                           |  |                        |                                  |                   |                                       |                |         |
| CY_SYS_FLASH_PROTECTED    | Specified flash row is protected   |       |             |                      |            |                           |  |                        |                                  |                   |                                       |                |         |
| CY_SYS_FLASH_BUSY         | Specified flash row is being written.  |       |             |                      |            |                           |  |                        |                                  |                   |                                       |                |         |
| Other non-zero            | Failure  |       |             |                      |            |                           |  |                        |                                  |                   |                                       |                |         |

### void CySysFlashResumeWriteRow(void)

|                     |   |
|---------------------|---|
| <b>Description:</b> | This API must be called, once the SPC interrupt is triggered to complete the non-blocking operation. It is advised not to prolong calling this API for more than 25 ms.   |
|                     | The non-blocking write row API CySysFlashStartWriteRow() requires that this API be called 3 times to complete the write. This can be done by configuring SPCIF interrupt and placing a call to this API.  |
|                     | For CM0 based device, a non-blocking call to program a row of macro 0 requires the user to set the CPUSS_CONFIG.VECS_IN_RAM bit so that the interrupt vector for the SPC is fetched from the SRAM rather than the FLASH.  |
|                     | For CM0+ based device, if the user wants to keep the vector table in flash when performing non-blocking flash write then they need to make sure the vector table is placed in the flash macro which is not getting programmed by configuring the VTOR register. |
|                     | This API is applicable only for CCG3/PSoC 4 BLII device families.   |
|                     | <b>Note</b> Please consult the example project NonBlockingFlashWrite_Example for an implementation.   |

## 9 System Functions



These functions apply to all architectures.

### General APIs

#### uint8 CyEnterCriticalSection(void)

**Description:** The function prevents interrupts being executed by setting PRIMASK register and returns previous state to be used for critical section exit using CyExitCriticalSection() function. Please refer to the ARM Cortex-M0 documentation for the more details.

**Note** To avoid corrupting the processor state, it must be the policy that all interrupt routines restore the interrupt enable bits as they were found on entry.

**Return Value:** Returns 0 if interrupts were previously enabled or 1 if interrupts were previously disabled.

#### void CyExitCriticalSection(uint8 savedIntrStatus)

**Description:** The function restores the interrupt state as it was before CyEnterCriticalSection() function call. If interrupts were allowed before CyEnterCriticalSection() function call, the CyExitCriticalSection() clears the PRIMASK register. Please refer to the ARM Cortex-M0 documentation for the more details.

If an interrupt was already in the pending state, the processor accepts the interrupt after CyExitCriticalSection() function was executed. However, processor can execute up to one additional instruction before entering the interrupt service routine.

**Parameters:** uint8 savedIntrStatus: Saved interrupt status returned by the CyEnterCriticalSection() function.

#### void CYASSERT(uint32 expr)

**Description:** Macro that evaluates the expression and if it is false (evaluates to 0) then the processor is halted. This macro is evaluated unless NDEBUG is defined. If NDEBUG is defined, then no code is generated for this macro. NDEBUG is defined by default for a Release build setting and not defined for a Debug build setting.

**Parameters:** expr: Logical expression. Asserts if false.

### void CyHalt(uint8 reason)

**Description:** Halts the CPU.

**Parameters:** reason: Value to be passed for debugging. This value may be useful to know the reason why CyHalt() was invoked.

### void CySoftwareReset(void)

**Description:** Forces a software reset of the device.

### void CyGetUniqueld(uint32\* uniqueld)

**Description:** Returns the 64-bit unique id of the device

**Parameters:** uniqueld: Pointer to a two element 32-bit unsigned integer array.

**Return Value:** Returns the 64-bit unique id of the device by loading them into the integer array pointed to by uniqueld.

### void CySysSetRamAccessArbPriority (uint32 source)

**Description:** Sets RAM access priority between CPU and DMA. The RAM\_CTL register is configured to set the priority. Please refer to the device TRM for more details.  
This API is applicable for PSoC 4200M / PSoC 4200L / PSoC 4100S with DMA devices only.

**Parameters:** source:

| Value                            | Description                 |
|----------------------------------|-----------------------------|
| CY_SYS_ARB_PRIORITY_CPU          | CPU has priority (Default). |
| CY_SYS_ARB_PRIORITY_DMA          | DMA has priority            |
| CY_SYS_ARB_PRIORITY_ROUND        | Round robin                 |
| CY_SYS_ARB_PRIORITY_ROUND_STICKY | Round robin sticky          |

### void CySysSetFlashAccessArbPriority(uint32 source)

**Description:** Sets flash access priority between CPU and DMA. The FLASH\_CTL register is configured to set the priority. Please refer to the device TRM for more details.  
This API is applicable for PSoC 4200M / PSoC 4200L / PSoC 4100S with DMA devices only.

**Parameters:** source:

| Value                            | Description                 |
|----------------------------------|-----------------------------|
| CY_SYS_ARB_PRIORITY_CPU          | CPU has priority (Default). |
| CY_SYS_ARB_PRIORITY_DMA          | DMA has priority            |
| CY_SYS_ARB_PRIORITY_ROUND        | Round robin                 |
| CY_SYS_ARB_PRIORITY_ROUND_STICKY | Round robin sticky          |

### void CySysSetDmacAccessArbPriority(uint32 source)

**Description:** Sets DMAC slave interface access priority between CPU and DMA. The DMAC\_CTL register is configured to set the priority. Please refer to the device TRM for more details. This API is applicable for PSoC 4200M / PSoC 4200L / PSoC 4100S with DMA devices only.

**Parameters:** source:

| Value                            | Description                 |
|----------------------------------|-----------------------------|
| CY_SYS_ARB_PRIORITY_CPU          | CPU has priority (Default). |
| CY_SYS_ARB_PRIORITY_DMA          | DMA has priority            |
| CY_SYS_ARB_PRIORITY_ROUND        | Round robin                 |
| CY_SYS_ARB_PRIORITY_ROUND_STICKY | Round robin sticky          |

### void CySysSetPeripheralAccessArbPriority(uint32 source)

**Description:** Sets slave peripheral interface access priority between CPU and DMA. The DMAC\_CTL register is configured to set the priority. Please refer to the device TRM for more details. This API is applicable for PSoC 4200M / PSoC 4200L / PSoC 4100S with DMA devices only.

**Parameters:** source:

| Value                            | Description                 |
|----------------------------------|-----------------------------|
| CY_SYS_ARB_PRIORITY_CPU          | CPU has priority (Default). |
| CY_SYS_ARB_PRIORITY_DMA          | DMA has priority            |
| CY_SYS_ARB_PRIORITY_ROUND        | Round robin                 |
| CY_SYS_ARB_PRIORITY_ROUND_STICKY | Round robin sticky          |

### void CySysEnablePumpClock (uint32 enable)

**Description:** Enables/disables the pump clock

**Parameters:** enable:

| Value                   | Description   |
|-------------------------|---|
| CY_SYS_CLK_PUMP_DISABLE | Disables pump clock                                 |
| CY_SYS_CLK_PUMP_ENABLE  | Enables and restores operating source of pump clock |

**Side Effects:** Enabling/disabling the pump clock does not guarantee glitch free operation when changing IMO parameters or clock divider settings.

## CyDelay APIs

There are four CyDelay APIs that implement simple software-based delay loops. The loops compensate for SYSCLK frequency.

The CyDelay functions provide a minimum delay. If the processor is interrupted, the length of the loop will be extended by as long as it takes to implement the interrupt. Other overhead factors, including function entry and exit, may also affect the total length of time spent executing the function. This will be especially apparent when the nominal delay time is small.

### void CyDelay(uint32 milliseconds)

**Description:** Delay by the specified number of milliseconds. By default the number of cycles to delay is calculated based on the clock configuration entered in PSoC Creator. If the clock configuration is changed at run-time, then the function CyDelayFreq is used to indicate the new SYSCLK frequency. CyDelay is used by several components, so changing the clock frequency without updating the frequency setting for the delay can cause those components to fail.

**Parameters:** milliseconds: Number of milliseconds to delay.

**Side Effects and Restrictions:** CyDelay has been implemented with the instruction cache assumed enabled.

### void CyDelayUs(uint16 microseconds)

**Description:** Delay by the specified number of microseconds. By default the number of cycles to delay is calculated based on the clock configuration entered in PSoC Creator. If the clock configuration is changed at run-time, then the function CyDelayFreq is used to indicate the new SYSCLK frequency. CyDelayUs is used by several components, so changing the clock frequency without updating the frequency setting for the delay can cause those components to fail.

**Parameters:** microseconds: Number of microseconds to delay.

**Return Value:** Void

**Side Effects and Restrictions:** CyDelayUS has been implemented with the instruction cache assumed enabled. If the SYSCLK frequency is a small non-integer number, the actual delay can be up to twice as long as the nominal value. The actual delay cannot be shorter than the nominal one.

### void CyDelayFreq(uint32 freq)

**Description:** Sets the SYSCLK frequency used to calculate the number of cycles needed to implement a delay with CyDelay. By default the frequency used is based on the value determined by PSoC Creator at build time.

**Parameters:** freq: SYSCLK frequency in Hz.  
0: Use the default value  
non-0: Set frequency value

### void CyDelayCycles(uint32 cycles)

**Description:** Delay by the specified number of cycles using a software delay loop.

The execution overhead is in range of 16-23 cycles depending on the number of the delay cycles and device family. The 16-cycle overhead means that CyDelayCycles(100), will be executed for 116 cycles.

**Parameters:** cycles: Number of cycles to delay. Valid range is from 0 to the maximum uint32 type value.

## Voltage Detect APIs

Applies to all devices except PSoC 4000 / PSoC 4000S / PSoC 4100S / PSoC Analog Coprocessor.

### void CySysLvdEnable(uint32 threshold)

**Description:** Sets the voltage trip level, enables the output of the digital low-voltage monitor, and unmask the associated interrupt in the LVD block.

**Note** The associated global interrupt enable/disable state is not changed by the function. The Interrupt component's API should be used to register the interrupt service routine and to enable/disable associated interrupt.

**Parameters:** threshold: Threshold selection for Low Voltage Detect circuit. Threshold variation is +/- 2.5% from these typical voltage choices.

| Define                  | Voltage threshold |
|-------------------------|-------------------|
| CY_LVD_THRESHOLD_1_75_V | 1.75 V            |
| CY_LVD_THRESHOLD_1_80_V | 1.80 V            |
| CY_LVD_THRESHOLD_1_90_V | 1.90 V            |
| CY_LVD_THRESHOLD_2_00_V | 2.00 V            |
| CY_LVD_THRESHOLD_2_10_V | 2.10 V            |
| CY_LVD_THRESHOLD_2_20_V | 2.20 V            |
| CY_LVD_THRESHOLD_2_30_V | 2.30 V            |
| CY_LVD_THRESHOLD_2_40_V | 2.40 V            |
| CY_LVD_THRESHOLD_2_50_V | 2.50 V            |
| CY_LVD_THRESHOLD_2_60_V | 2.60 V            |
| CY_LVD_THRESHOLD_2_70_V | 2.70 V            |
| CY_LVD_THRESHOLD_2_80_V | 2.80 V            |
| CY_LVD_THRESHOLD_2_90_V | 2.90 V            |
| CY_LVD_THRESHOLD_3_00_V | 3.00 V            |
| CY_LVD_THRESHOLD_3_20_V | 3.20 V            |
| CY_LVD_THRESHOLD_4_50_V | 4.50 V            |

### void CySysLvdDisable(void)

**Description:** Disables the low voltage detection. Low voltage interrupt is masked in LVD block.

**Note** The associated global interrupt enable/disable state is not changed by the function. The Interrupt component's API should be used to enable/disable associated interrupt.

### uint32 CySysLvdGetInterruptSource(void)

**Description:** Gets the low voltage detection interrupt status (without clearing).

**Return Value:** Interrupt request value:

- CY\_SYS\_LVD\_INT - Indicates an Low Voltage Detect interrupt

### void CySysLvdClearInterrupt(void)

**Description:** Clears the low voltage detection interrupt status.

## Programmable Voltage Reference (All PSoC 4 devices with PRB)

### void CySysPrbSetGlobalVrefSource (uint32 source)

**Description:** Selects the source of the global voltage reference. Note that the global voltage reference uses one of the available programmable voltage reference lines.

This API is applicable for PSoC 4 devices that support the programmable reference block. Please refer to the device TRM for more details.

**Parameters:** source:

| Define                  | Description   |
|-------------------------|---|
| CY_SYS_VREF_SOURCE_BG   | Sets bandgap as the source of the global voltage reference. |
| CY_SYS_VREF_SOURCE_VDDA | Sets VDDA as the source of the global voltage reference.    |

**Side Effects:** This API affects the voltage values available in CySysSetGlobalVrefVoltage() API.

### void CySysPrbSetBgGain (uint32 gain)

**Description:** Selects the gain of bandgap reference buffer. Note that this API is effective only when the bandgap is set as the source of global voltage reference.

This API is applicable for PSoC 4 devices that support the programmable reference block. Please refer to the device TRM for more details.

**Parameters:** source:

| Define                | Description |
|-----------------------|-------------|
| CY_SYS_VREF_BG_GAINx1 | Gain is 1   |
| CY_SYS_VREF_BG_GAINx2 | Gain is 2   |

**Side Effects:** This API affects the voltage values available in CySysSetGlobalVrefVoltage() API and also any component instantiated voltage references that have the bandgap as source.

### void CySysPrbSetGlobalVrefVoltage (uint32 voltageTap)

**Description:** Selects the value of global voltage reference. Set the source of the global voltage reference and bandgap buffer gain (if applicable) before calling this API.

This API is applicable for PSoC 4 devices that support the programmable reference block. Please refer to the device TRM for more details.

**Parameters:** voltageTap:

Range: 1 – 16, voltage value is:

0.08 V to 1.20 V in steps of 0.07 V approximately, if source is bandgap (x1).

0.16 V to 2.40 V in steps of 0.14 V approximately, if source is bandgap (x2).

0.21 V to 3.30 in steps of 0.21 V approximately, if source is Vdda and Vdda is equal to 3.3 V. Voltage value will change according to value of Vdda.

| voltageTap | Voltage Value |              |              |
|------------|---------------|--------------|--------------|
|            | bandgap (x1)  | bandgap (x2) | Vdda (3.3 V) |
| 1          | 0.08V         | 0.16V        | 0.21V        |
| 2          | 0.15V         | 0.30V        | 0.41V        |
| 3          | 0.23V         | 0.46V        | 0.62V        |
| 4          | 0.30V         | 0.60V        | 0.83V        |
| 5          | 0.38V         | 0.76V        | 1.03V        |
| 6          | 0.45V         | 0.90V        | 1.24V        |
| 7          | 0.53V         | 1.06V        | 1.44V        |
| 8          | 0.60V         | 1.20V        | 1.65V        |
| 9          | 0.68V         | 1.36V        | 1.86V        |
| 10         | 0.75V         | 1.50V        | 2.06V        |
| 11         | 0.83V         | 1.66V        | 2.27V        |
| 12         | 0.90V         | 1.80V        | 2.48V        |
| 13         | 0.98V         | 1.96V        | 2.68V        |
| 14         | 1.05V         | 2.10V        | 2.89V        |
| 15         | 1.13V         | 2.26V        | 3.09V        |
| 16         | 1.20V         | 2.40V        | 3.30V        |

### void CySysPrbEnableDeepsleepVddaRef (void)

**Description:** Enables the Vdda reference in deep sleep mode. The Vdda reference is by default disabled when entering deep sleep mode.

This API is applicable for PSoC 4 devices that support the programmable reference block. Please refer to the device TRM for more details.



### void CySysPrbDisableDeepSleepVddaRef (void)

**Description:** Disables the Vdda reference in deep sleep mode. The Vdda reference is by default disabled when entering deep sleep mode.

This API is applicable for PSoC 4 devices that support the programmable reference block. Please refer to the device TRM for more details.

### void CySysPrbEnableVddaRef (void)

**Description:** Enables the Vdda reference. The Vdda reference is by default not enabled.

This API is applicable for PSoC 4 devices that support the programmable reference block. Please refer to the device TRM for more details.

### void CySysPrbDisableVddaRef (void)

**Description:** Disables the Vdda reference. The Vdda reference is by default not enabled.

This API is applicable for PSoC 4 devices that support the programmable reference block. Please refer to the device TRM for more details.

### void CySysPrbSetBgBufferTrim(int32 bgTrim)

**Description:** Sets the trim for the bandgap reference buffer.

This API is applicable for PSoC 4 devices that support the programmable reference block. Please refer to the device TRM for more details.

**Parameters:** source:

| Parameter Value | Description   |
|-----------------|---------------|
| Range -32 to 31 | ~1mV per step |

**Side Effects:** Affects all bandgap sourced references.

### int32 CySysPrbGetBgBufferTrim (void)

**Description:** Returns the current trim of the bandgap reference buffer.

This API is applicable for PSoC 4 devices that support the programmable reference block. Please refer to the device TRM for more details.

**Parameters:** source:

| Parameter Value | Description   |
|-----------------|---------------|
| Range -32 to 31 | ~1mV per step |

## Macro Callbacks

Macro callbacks allow users to execute code from the API files that are automatically generated by PSoC Creator. Refer to the PSoC Creator Help and *Component Author Guide* for the more details.

In order to add code to the macro callback present in the component's generated source files, perform the following:

- Define a macro to signal the presence of a callback (in *cyapicallbacks.h*). This will “uncomment” the function call from the component's source code.
- Write the function declaration (in *cyapicallbacks.h*). This will make this function visible by all the project files.
- Write the function implementation (in any user file).

| Macro Callback <sup>[1]</sup>                    | Associated Macro                                     | Description  |
|--|--|--|
| CyBoot_IntDefaultHandler_Exception_EntryCallback | CY_BOOT_INT_DEFAULT_HANDLER_EXCEPTION_ENTRY_CALLBACK | Used at the beginning of the IntDefaultHandler() interrupt handler to perform additional application-specific actions in unhandled exceptions on PSoC 4 devices. |
| CyBoot_Start_c_Callback                          | CY_BOOT_START_C_CALLBACK                             | Used in Start_c() to execute custom pre-main initialization code. This callback function replaces Cypress provided initialization routines.                      |

## Watchdog Timer (WDT) APIs

For PSoC 4 devices, the Watchdog Timer (WDT) APIs have been moved into separate files (*CyLFCIk.h/CyLFCIk.c*). Refer to the CyLFCIk Component Datasheet available from the System Reference Guides item in the PSoC Creator Help menu.

---

<sup>1</sup> The macro callback name is formed by component function name optionally appended by short explanation and “Callback” suffix.

# 10 Startup and Linking



The `cy_boot` component is responsible for the startup of the system. The following functionality has been implemented:

- Provide the reset vector
- Setup processor for execution
- Setup interrupts
- Setup the stack
- Configure the device
- Initialize static and global variables with initialization values
- Clear all remaining static and global variables
- Integrate with the bootloader functionality
- Preserve the reset status
- Call `main()` C entry point

The device startup procedure configures the device to meet datasheet and PSoC Creator project specifications. Startup begins after the release of a reset source, or after the end of a power supply ramp. There are two main portions of startup: hardware startup and firmware startup. During hardware startup, the CPU is halted, and other resources configure the device. During firmware startup, the CPU runs code generated by PSoC Creator to configure the device. When startup ends, the device is fully configured, and its CPU begins execution of user-authored `main()` code.

The hardware startup configures the device to meet the general performance specifications given in the datasheet. The hardware startup phase begins after a power supply ramp or reset event. There are two phases of hardware startup: reset and boot. After hardware startup ends, code execution from Flash begins.

Firmware startup configures the PSoC device to behave as described in the PSoC Creator project. It begins at the end of hardware startup. The PSoC device's CPU begins executing user-authored `main()` code after the completion of firmware startup. The main task of firmware startup is to populate configuration registers such that the PSoC device behaves as designed in the PSoC Creator project. This includes configuring analog and digital peripherals, as well as system resources such as clocks and routing.

The startup procedure may be altered to better fit a specific application's needs. There are two ways to modify device startup: using the PSoC Creator design-wide resources (DWR) interface, and modifying the device startup code.

The startup and linker scripts have been custom developed by Cypress, but both of the toolchain vendors that we currently support provide example linker implementations and complete libraries that solve many of the issues that have been created by our custom implementations.

For the more information on the PSoC 4's CPU architecture, refer to the [Cortex™-M0 Technical Reference Manual on infocenter.arm.com](http://infocenter.arm.com).

## GCC Implementation

PSoC Creator integrates the GCC ARM Embedded compiler including making the Newlib-nano and newlib libraries. Refer to the [Red Hat newlib C Library](#) for the C library reference manual.

The newlib-nano is configured by default. To choose newlib library, open the Build Settings dialog > ARM GCC 4.8.4 > Linker > General, and set the "Use newlib-nano" option to False.

By default, with the GNU ARM compiler, the string formatting functions in the C run-time library return empty strings for floating-point conversions. The newlib-nano library is a stripped-down version of the full C newlib. It does not include support for floating point formatting and other memory-intensive features.

There are two solutions to this problem: enable floating-point formatting support in newlib-nano, or change the library to the full newlib.

To enable floating-point formatting, open the Build Settings dialog, go to the Linker page, and add the string `-u _printf_float` to the command line options. This change will result in an increase in Flash and RAM usage in your application.

**Note** If you also wish to use the scanf functions with floating-point numbers you should add the string `-u _scanf_float` as well, with another increase in Flash and RAM usage.

## Realview Implementation (applicable for MDK)

Use all the standard libraries (C standardlib, C microlib, fplib, mathlib). All of these libraries are linked in by default.

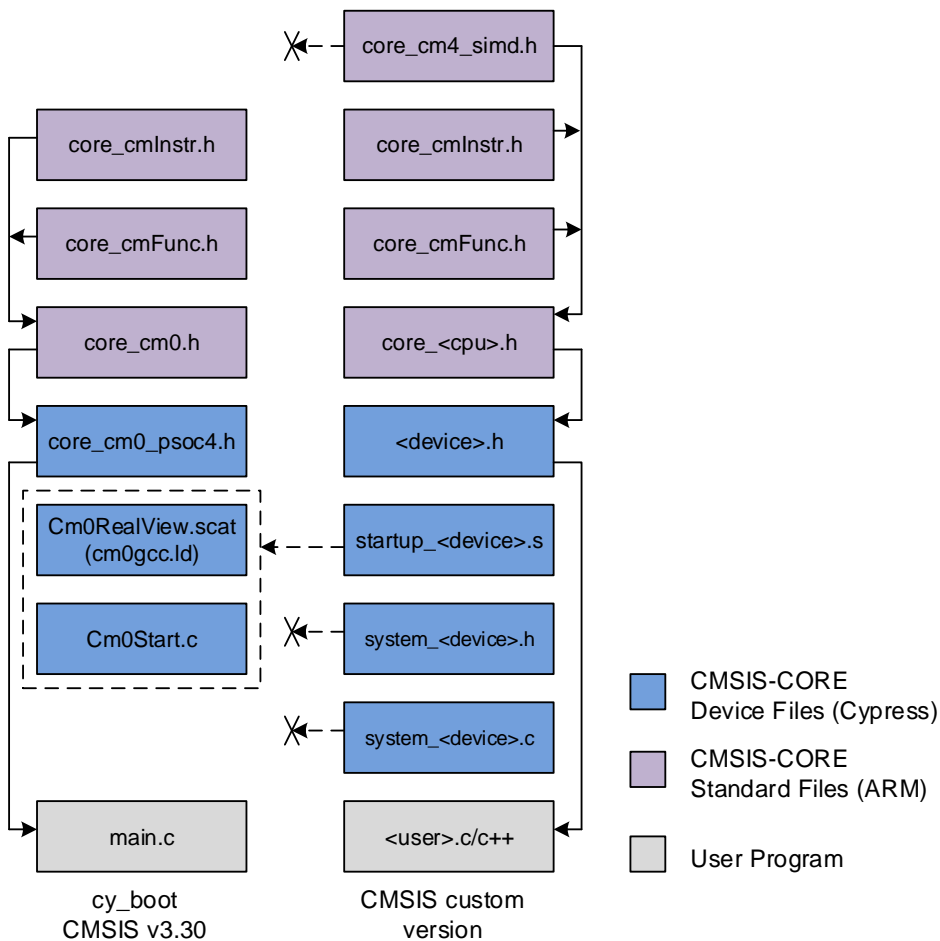
- Support for RTOS and user replacement of routines. This is possible because the library routines are denoted as "weak" allowing their replacement if another implementation is provided.
- A mechanism is provided that allows for the replacement of the provided linker/scatter file with a user version. This is implemented by allowing the user to create the file local to their project and having a build setting that allows the specification of this file as the linker/scatter file instead of the file provided automatically.
- Currently the heap and stack size are specified as a fixed quantity (4 K Stack, 1 K Heap). If possible the requirement to specify Heap and Stack sizes should be removed entirely. If that is not possible, then these values should be the defaults with the option to choose other values in the Design-Wide Resources GUI.
- All the code in the Generated Source tree is compiled into a single library as part of the build process. Then that compiled library is linked in with the user code in the final link.

## CMSIS Support

Cortex Microcontroller Software Interface Standard (CMSIS) is a standard from ARM for interacting with Cortex M-series processors. There are multiple levels of support. The Core Peripheral Access Layer (CMSIS Core) support is provided. For the more information refer to [CMSIS - Cortex Microcontroller Software Interface Standard](http://www.arm.com) on [www.arm.com](http://www.arm.com).

PSoC Creator 3.2 provides support for CMSIS Core version 4.0. Also, PSoC Creator 3.2 provides the ability to use a custom version of the CMSIS Core.

The following diagram shows how CMSIS Core version 4.0 files are integrated into the `cy_boot` component and how custom version of CMSIS Core files can be integrated.



The following describe each file from the diagram:

- The `Cm0Start.c` and `cm0gcc.ld` files (part of the `cy_boot` component) contain Cortex-M0 device startup code and interrupt vector tables and completely substitute CMSIS `startup_<device>.s` template file.
- Vendor-specific device file `<device>.h` that includes CMSIS Core standard files is represented in `cy_boot` component by `core_cm0_psoc4.h`.

- The `core_cmInstr.h` file defines intrinsic functions to access special Cortex-M instructions and `core_cmFunc.h` file provides functions to access the Cortex-M core peripherals. These files were added since CMSIS Core version 2.0.
- The `core_cm4_simd.h` file added to the CMSIS SIMD Instruction Access is relevant for Cortex-M4 only.
- `system_<device>.h`, `system_<device>.c` – Generic files for system configuration (i.e. processor clock and memory bus system), are partially covered by `Cm0Start.c`.

### Manual addition of the CMSIS Core files

Beginning with PSoC Creator 2.2, the “Include CMSIS Core Peripheral Library Files” option is added to the System tab of the DWR file. By default, this option is enabled and CMSIS Core version 4.0 files are added to the project. This option should be disabled if you wish to manually add CMSIS Core files.

Un-check “Include CMSIS Core Peripheral Library Files” option on the System tab of the DWR file to detach CMSIS 4.0 files from the `cy_boot` component.

Add the following CMSIS Core files to the project:

- `core_cmInstr.h`
- `core_cmFunc.h`
- `core_cm0.h`

Based on the CMSIS vendor-specific template file (`<device>.h`), create device header file, copy device specific definitions from `core_cm0_psoc4.h` file and add following definitions at the top of the file:

```
#include <cytypes.h>

#define __CHECK_DEVICE_DEFINES

#define __CM0_REV                0x0000
#define __NVIC_PRIO_BITS        2
#define __Vendor_SysTickConfig  0
```

Include the previously created vendor-specific device header file to the application.

## High-Level I/O Functions

To use high-level input/output functions, like `printf()` or `scanf()`, the application must implement the base I/O functions. The base I/O API depends on compiler and used C library:

- GCC - [Red Hat newlib C Library on sourceware.org/newlib](http://sourceware.org/newlib).
- MDK - [The ARM C and C++ Libraries on infocenter.arm.com](http://infocenter.arm.com).
- MDK - [The ARM C Micro-library on infocenter.arm.com](http://infocenter.arm.com).

### The `printf()` Usage Model

The `printf()` function formats a series of strings and numeric values and builds a string to write to the output stream. Its implementation relies on the following low-level library functions:

- Keil compiler uses the [putchar\(\)](#)
- GCC uses [\\_write\(\)](#)

- MDK uses `_sys_write()` or `fputc()`. The micro-library uses `fputc()`.

The application should implement these functions and call the communication component API to send data via selected interface.

## Preservation of Reset Status

### uint32 CySysGetResetReason(uint32 reason)

**Description:** The function returns the cause for the latest reset(s) that occurred in the system and clears those that are defined with the parameter.

All bits in the RES\_CAUSE register assert when the corresponding reset cause occurs and must be cleared by firmware. These bits are cleared by hardware only during XRES, POR, or a detected brown-out.

**Parameters:** reason: bits in the RES\_CAUSE register to clear.

| Define                 | Source           |
|------------------------|------------------|
| CY_SYS_RESET_WDT       | WDT              |
| CY_SYS_RESET_PROTFAULT | Protection Fault |
| CY_SYS_RESET_SW        | Software reset   |

**Return Value:** Status. Same enumerated bit values as used for the reason parameter.

## API Memory Usage

API memory usage varies significantly depending on the compiler, device, design-wide resource configuration, and component configuration used in the design. The following tables provide the memory usage for the entire empty project with the default design-wide resource configuration options.

The measurements have been done with an associated compiler configured in Release mode with optimization set for Size. For a specific design, the map file generated by the compiler can be analyzed to determine the memory usage.

The following data is provided for a blank design with default settings. Resource usage may increase if any of unused by default `cy_boot` APIs are used in some particular project.

### PSoC 4000 (GCC)

| Configuration | PSoC 4000   |            |       |
|---------------|-------------|------------|-------|
|               | Flash Bytes | SRAM Bytes | Stack |
| Default       | 992         | 240        | 30    |

### PSoC 4100/PSoC 4200 (GCC)

| Configuration | PSoC 4100 / PSoC 4200 |            |       |
|---------------|-----------------------|------------|-------|
|               | Flash Bytes           | SRAM Bytes | Stack |
| Default       | 1560                  | 388        | 48    |

### PSoC 4100 BLE/PRoC BLE/PSoC 4200 BLE (GCC)

| Configuration | PSoC 4100 BLE / PSoC 4200 BLE |            |       |
|---------------|-------------------------------|------------|-------|
|               | Flash Bytes                   | SRAM Bytes | Stack |
| Default       | 1688                          | 404        | 30    |

### PSoC 4100M /PSoC 4200M (GCC)

| Configuration | PSoC 4100M / PSoC 4200M |            |       |
|---------------|-------------------------|------------|-------|
|               | Flash Bytes             | SRAM Bytes | Stack |
| Default       | 1784                    | 400        | 30    |

### PSoC 4200L (GCC)

| Configuration | PSoC 4200L  |            |       |
|---------------|-------------|------------|-------|
|               | Flash Bytes | SRAM Bytes | Stack |
| Default       | 2432        | 432        | 30    |

### PSoC Analog Coprocessor (GCC)

| Configuration | PSoC Analog Coprocessor |            |       |
|---------------|-------------------------|------------|-------|
|               | Flash Bytes             | SRAM Bytes | Stack |
| Default       | 1768                    | 352        | 30    |

### PSoC 4000S (GCC)

| Configuration | PSoC 4000S  |            |       |
|---------------|-------------|------------|-------|
|               | Flash Bytes | SRAM Bytes | Stack |
| Default       | 1408        | 292        | 30    |

### PSoC 4100S (GCC)

| Configuration | PSoC 4100S  |            |       |
|---------------|-------------|------------|-------|
|               | Flash Bytes | SRAM Bytes | Stack |
| Default       | 1744        | 328        | 30    |

### PSoC 4100S Plus (GCC)

| Configuration | PSoC 4100S Plus |            |       |
|---------------|-----------------|------------|-------|
|               | Flash Bytes     | SRAM Bytes | Stack |
| Default       | 1800            | 360        | 30    |



## PSoC 4500 (GCC)

| Configuration | PSoC 4500   |            |       |
|---------------|-------------|------------|-------|
|               | Flash Bytes | SRAM Bytes | Stack |
| Default       | 1800        | 364        | 30    |

## Performance

### Functions Execution Time

The API execution time varies depending on the compiler, device, and design-wide resource configuration.

The measurements have been done with the default compiler (GCC) configured in Release mode with optimization set for Size. The project uses default design-wide resource configuration for the measurements.

The following table provides the numbers for the functions whose execution time is considered to have significant impact.

#### PSoC 4<sup>[2]</sup>

| Description   | Min | Typ  | Max | Units |
|---|-----|------|-----|-------|
| Device initialization time (from reset to the main() entry) | -   | 4.2  | -   | ms    |
| The CySysFlashWriteRow() function execution time            | -   | 12.3 | -   | ms    |

### Critical Sections Duration

The duration of critical sections (code sections with disabled interrupts) varies depending on the compiler, device and, design-wide resource configuration.

The measurements have been done with the default compiler (GCC) configured in Release mode with optimization set for Size. The project used default design-wide resource configuration for the measurements.

The following table provides the numbers for the functions whose critical section duration might have meaningful impact.

#### PSoC 4

| Description   | Conditions | Min | Typ | Max | Units  |
|---|------------|-----|-----|-----|--------|
| The CySysClkWritelmoFreq() function critical section time   | Default    | -   | 302 | -   | cycles |
| The CySysWdtClearInterrupt() function critical section time | Default    | -   | 78  | -   | cycles |

<sup>2</sup> The measurements were performed on PSoC 4200 BLE devices.

# 11 MISRA Compliance



This chapter describes the MISRA-C:2004 compliance and deviations for the PSoC Creator `cy_boot` component and code generated by PSoC Creator.

MISRA stands for Motor Industry Software Reliability Association. The MISRA specification covers a set of 122 mandatory rules and 20 advisory rules that apply to firmware design and has been put together by the Automotive Industry to enhance the quality and robustness of the firmware code embedded in automotive devices.

There are two types of deviations defined:

- project deviations – deviations that are applicable for all PSoC Creator components
- specific deviations – deviations that are applicable for the specific component

This section provides information on the following items:

- [Verification Environment](#)
- [Project Deviations](#)
- [Documentation Related Rules](#)
- [PSoC Creator Generated Sources Deviations](#)
- [cy\\_boot Component-Specific Deviations](#)

## Verification Environment

This section provides MISRA compliance analysis environment description.

| Component           | Name   | Version      |
|---------------------|--|--------------|
| Test Specification  | MISRA-C:2004 Guidelines for the use of the C language in critical systems. | October 2004 |
| Target Device       | PSoC 4   | Production   |
| Target Compiler     | PK51   | 9.51         |
|                     | GCC  | 4.8.4        |
|                     | MDK  | 4.1          |
|                     | PSoC Creator   | 3.1          |
| Generation Tool     | Programming Research QA C source code analyzer for Windows                 | 8.1-R        |
| MISRA Checking Tool | Programming Research QA C MISRA-C:2004 Compliance Module (M2CM)            | 3.2          |
|                     |  |              |

The MISRA rules 1.5, 2.4, 3.3, and 5.7 are not enforced by Programming Research QA C. The compliance with these rules was verified manually by code review.

## Project Deviations

A Project Deviations are defined as a permitted relaxation of the MISRA rules requirements that are applied for source code that is shipped with PSoC Creator. The list of deviated rules is provided in the table below.

| MISRA-C: 2004 Rule | Rule Class (R/A) <sup>[3]</sup> | Rule Description  | Description of Deviation(s)  |
|--------------------|---------------------------------|---|--|
| 1.1                | R                               | This rule states that code shall conform to C ISO/IEC 9899:1990 standard.   | Some C language extensions (like interrupt keyword) relate to device hardware functionality and cannot be practically avoided.<br>In the main.c file that is generate by PSoC Creator the non-standard main() declaration is used: "void main()". The standard declaration is "int main()"<br>The number of macro definitions exceeds 1024 - program does not conform strictly to ISO:C90. |
| 5.1                | R                               | This rule says that both internal and external identifiers shall not rely on the significance of more than 31 characters.   | The length of names based on user-defined names depends on the length of the user-define names.  |
| 5.6                | A                               | Verify that no identifier in one name space have the same spelling as an identifier in another name space, with the exception of structure member and union member names. | A name of the structure field may appear as variable.  |
| 5.7                | A                               | Verify that no identifier name should be reused.  | Local variables with the same name may appear in different functions. Aside from commonly used names such as 'i', generated API functions for multiple instances of the same component will have identical local variable names.   |
| 8.7                | R                               | Objects shall be defined at block scope if they are only accessed from within a single function.  | The object 'InstanceName_initVar' is only referenced by function 'InstanceName_Start', in the translation unit where it is defined. The intention of this publicly available global variable is to be used by user application.  |
| 8.10               | R                               | All declarations and definitions of objects or functions at file scope shall have internal linkage unless external linkage is required.                                   | Components API are designed to be used in user application and might not be used in component API.   |
| 11.3               | A                               | This rule states that cast should not be performed between a pointer type and an integral type.   | The cast from unsigned int to pointer does not have any unintended effect, as it is a consequence of the definition of a structure based on hardware registers.  |

<sup>3</sup> Required / Advisory

| MISRA-C: 2004 Rule | Rule Class (R/A) <sup>[3]</sup> | Rule Description  | Description of Deviation(s)   |
|--------------------|---------------------------------|---|---|
| 14.1               | R                               | There shall be no unreachable code.   | Some functions that are part of the component API are not used within component API. Components API are designed to be used in user application and might not be used in component API. |
| 21.1               | R                               | Minimization of run-time failures shall be ensured by the use of at least one of:<br>a) static analysis tools/techniques;<br>b) dynamic analysis tools/techniques;<br>c) explicit coding of checks to handle run-time faults. | Some components in some specific configurations can contain redundant operations introduced because of generalized implementation approach.   |

## Documentation Related Rules

This section provides information on implementation-defined behavior of the toolchains supported by PSoC Creator. The list of deviated rules is provided in the table below.

| MISRA-C: 2004 Rule | Rule Class (R/A) <sup>[3]</sup> | Rule Description   | Description  |
|--------------------|---------------------------------|--|--|
| 1.3                | R                               | Multiple compilers and/or languages shall only be used if there is a common defined interface standard for object code to which the languages/compiler/assemblers conform. | No multiple compilers and languages can be used at a time for PSoC Creator projects. The PK51 linker produces OMF-51 object module format. The GCC linker produces EABI format files. The MDK linker produces files of ARM ELF format. |
| 1.4                | R                               | The compiler/linker shall be checked to ensure that 31 character significance and case sensitivity are supported for external identifiers.                                 | PK51 and GCC treat more than 31 characters of internal and external identifier length, and are case sensitive (e.g., Id and ID are not equal).   |
| 1.5                | A                               | Rule states that floating-point implementation should comply with a defined floating-point standard.   | Floating-point arithmetic implementation conforms to IEEE-754 standard.  |
| 3.1                | R                               | All usage of implementation-defined behavior shall be documented.  | For the documentation on PK51 and GCC compilers, refer to the Help menu, Documentation sub-menu, Keil and GCC commands respectively.   |
| 3.2                | R                               | The character set and the corresponding encoding shall be documented.  | The Windows-1252 (CP-1252) character set encoding is used. Some characters that are used for source code generation in PSoC Creator are not included in character set, defined by ISO-IEC 9899-1900 "Programming languages — C".       |
| 3.3                | A                               | This rule states that implementation of integer division should be documented.   | When dividing two signed integers, one of which is positive and one negative compiler rounds up with a negative remainder.   |
| 3.5                | R                               | This rules requires implementation defined behavior and packing of bit fields be documented.   | The use of bit-fields is avoided.  |

| MISRA-C: 2004 Rule | Rule Class (R/A) [3] | Rule Description  | Description  |
|--------------------|----------------------|---|--|
| 3.6                | R                    | All libraries used in production code shall be written to comply with the provisions of this document, and shall have been subject to appropriate validation. | The C standard libraries provided with C51, GCC, and RVCT have not been reviewed for compliance. Some code uses memset and memcpy. The compiler may also insert calls to its vendor-specific compiler support library. |

## PSoC Creator Generated Sources Deviations

This section provides the list of deviations that are applicable for the code that is generated by PSoC Creator. The list of deviated rules is provided in the table below.

| MISRA-C: 2004 Rule | Rule Class (R/A) [3] | Rule Description  | Description of Deviation(s)   |
|--------------------|----------------------|---|---|
| 3.4                | R                    | All uses of the <i>#pragma</i> directive shall be documented.   | The <i>#pragma</i> directive is required to ensure that the C51 compiler produces efficient code for generated functions related to the AMuxSeq component.  |
| 11.4               | A                    | This rule states that cast should not be performed between a pointer to object type and a different pointer to object type. | CYMEMZERO8 and CYCONFIGCPY8 use void * arguments for compatibility with memset/memcpy but must use a pointer to an actual type internally.  |
| 14.1               | R                    | Rule requires that there shall be no unreachable code.  | The CYMEMZERO, CYMEMZERO8, CYCONFIGCPY, CYCONFIGCPY8, CYCONFIGCPYCODE, and CYCONFIGCPYCODE8 are often but not always used.  |
| 15.2               | R                    | Switch cases must end with <i>break</i> statements.   | The code structure is required to ensure that the C51 compiler produces efficient code for generated functions related to the AMuxSeq component.  |
| 15.3               | R                    | <i>default</i> must be the last clause in a <i>switch</i> statement.  | The code structure is required to ensure that the C51 compiler produces efficient code for generated functions related to the AMuxSeq component.  |
| 17.4               | R                    | Array indexing shall be only allowed form of pointer arithmetic.  | The CYMEMZERO8 and CYCONFIGCPY8 have void * arguments for compatibility with memset/memcpy.   |
| 19.7               | A                    | The rule says that function shall be used instead of function-like macro.   | The CYMEMZERO, CYMEMZERO8, CYCONFIGCPY, CYCONFIGCPY8, CYCONFIGCPYCODE, and CYCONFIGCPYCODE8 macros are used to call cymemzero, cyconfigcpy, and cyconfigpycode in a device-independent way. The macros cannot be converted to functions without significantly increasing the time and memory required for each function call (this is a limitation of C51). The macros have been converted to functions for GCC/RVCT. |

## cy\_boot Component-Specific Deviations <sup>[4]</sup>

This section provides the list of cy\_boot component specific-deviations. The list of deviated rules is provided in the table below.

| MISRA-C: 2004 Rule | Rule Class (R/A) <sup>[3]</sup> | Rule Description  | Description of Deviation(s)   |
|--------------------|---------------------------------|---|---|
| 1.2                | R                               | No reliance shall be placed on undefined or unspecified behaviour.  | For PSoC 4, the __cy_byte_align8 type, __cy_region struct, __cy_region_num constant, _exit and _sbrk functions are defined.   |
| 5.3                | R                               | A typedef name shall be a unique identifier.  | For PSoC 4, the __cy_byte_align8 type is defined.   |
| 6.3                | A                               | typedefs that indicate size and signedness should be used in place of the basic types.  | For PSoC 4, the RealView C Library initialization function __main(void) in startup file (Cm0Start.c/Cm3Start.c) file returns value of basic type 'int'.   |
| 8.7                | R                               | Objects shall be defined at block scope if they are only accessed from within a single function.  | For PSoC 4, the cySysNolnitDataValid variable is intentionally declared as global in Cm0Start.c/Cm3Start.c files to prevent linker from CY_NOINIT section removal.                                    |
| 8.12               | R                               | When an array is declared with external linkage, its size shall be stated explicitly or defined implicitly by initialization.   | For PSoC 4 (Cm0Start.c/Cm3Start.c), the __cy_regions array of structures is declared with unknown size.   |
| 8.8                | R                               | An external object or function shall be declared in one and only one file.  | For the PSoC 4, some objects is being declared with external linkage in Cm3Start.c/Cm3Start.c file and this declaration is not in a header file.  |
| 10.1               | R                               | The value of an expression of integer type shall not be implicitly converted to a different underlying type under some circumstances.   | PSoC 4: CMSIS Core: An integer constant of 'essentially unsigned' type is being converted to signed type on assignment in CMSIS Core hardware abstraction layer.                                      |
| 10.3               | R                               | The value of a complex expression of integer type may only be cast to a type that is narrower and of the same signedness as the underlying type of the expression.                                      | The DMA API has a composite expression of 'essentially unsigned' type (unsigned char) is being cast to a wider unsigned type, 'unsigned long'. This deviation is not present for PSoC 4 cy_boot code. |
| 14.3               | R                               | Before preprocessing, a null statement shall only occur on a line by itself; it may be followed by a comment provided that the first character following the null statement is a white-space character. | The CYASSERT() macro has null statement is located close to other code.   |
| 11.4               | A                               | A cast should not be performed between a pointer to object type and a different pointer to object type.   | The DMA and Interrupt API use casts between a pointer to object type and a different pointer to object type.  |
| 11.5               | R                               | A cast shall not be performed that removes any const or volatile qualification from the type addressed by a pointer.  | The volatile qualification is lost during pointer cast to pointer to void before passing to the memcpy() function.  |

<sup>4</sup> The MISRA rules deviations of the CMSIS files are not documented here. Refer to the CMSIS documentation for the list of the deviated rules.

| MISRA-C: 2004 Rule | Rule Class (R/A) [3] | Rule Description   | Description of Deviation(s)  |
|--------------------|----------------------|--|--|
| 13.7               | R                    | Boolean operations whose results are invariant shall not be permitted.   | Different Macro of flash are used for the rows. The CY_FLASH_GET_MACRO_FROM_ROW defines the Macro number and it could return 0 for the specific rows.  |
| 17.4               | R                    | Array indexing shall be the only allowed form of pointer arithmetic.   | The DMA, Flash and Interrupt APIs use array indexing that are applied to an object of pointer type to access hardware registers, buffer allocated by user and vector tables correspondingly. |
| 19.4               | R                    | C macros shall only expand to a braced initializer, a constant, a parenthesized expression, a type qualifier, a storage class specifier, or a do-while-zero construct. | The CYASSERT(), INTERRUPT_DISABLE_IRQ, INTERRUPT_ENABLE_IRQ, CyGlobalIntEnable, and CyGlobalIntDisable macro defines a braced code statement block.  |
| 19.7               | A                    | A function should be used in preference to a function-like macro.  | Deviated since function-like macros are used to allow more efficient code.   |
| 19.12              | A                    | There shall be at most one occurrence of the # or ## preprocessor operator in a single macro definition.   | PSoC 4: Pins and Bit Field Manipulation APIs: Two preprocessor concatenation operations are required as PSoC 4 APIs have two arguments.  |
| 19.13              | A                    | The # and ## pre-processor operators should not be used.   | PSoC 4: Pins and Bit Field Manipulation APIs: The preprocessor concatenation method is used to allow existing PSoC 3 and PSoC 5LP per-pin APIs to be used in PSoC 4 designs.                 |
| 20.2               | R                    | The names of standard library macros, objects and functions shall not be reused.   | For PSoC 4, the __cy_byte_align8 type, __cy_region struct, __cy_region_num constant, _exit and _sbrk functions are defined.  |
| 20.5               | R                    | The error indicator errno shall not be used.   | Caused by use of the error indicator errno used by the sbrk() function. It is used to report errors to the malloc() function if no heap memory is available.                                 |

# 12 System Timer (SysTick)



## Functional Description

The SysTick timer is part of the Cortex M0 (PSoC 4) devices. The timer is a down counter with a 24-bit reload/tick value that is clocked by the System clock (or LF clock for the PSoC 4100 BLE and PSoC 4200 BLE devices). The timer has the capability to generate an interrupt when the set number of ticks expires and the counter is reloaded. This interrupt is available as part of the Nested Vectored Interrupt Controller (NVIC) for service by the CPU and can be used for general purpose timing control in user code.

There are components (LIN, CapSense Gesture) that rely on the default interval (1 ms). Changing the default interval value will impact the functionality of these components.

Changing the SysTick clock source and/or its frequency will change the interrupt interval and therefore `CySysTickSetReload()` should be called to compensate for this change.

Since the timer is independent of the CPU (except for the clock), this can be handy in applications requiring precise timing that don't have a dedicated timer/counter available for the job.

Refer to the SysTick section (Section 4.4) of the ARM reference guide for complete details on the registers and their usage.

## APIs

### Macro

| Macro                                     | Description                           |
|---|---------------------------------------|
| <code>CY_SYS_SYST_NUM_OF_CALLBACKS</code> | Number of the SysTick callback slots. |

### Functions

| Function                                 | Description  |
|--|--|
| <code>CySysTickStart()</code>            | Configures and starts the SysTick timer.                               |
| <code>CySysTickInit()</code>             | Configures the SysTick timer.  |
| <code>CySysTickEnable()</code>           | Enables the SysTick timer and its interrupt.                           |
| <code>CySysTickStop()</code>             | Stops the SysTick timer.   |
| <code>CySysTickEnableInterrupt()</code>  | Enables the SysTick interrupt.   |
| <code>CySysTickDisableInterrupt()</code> | Disables the SysTick interrupt.  |
| <code>CySysTickSetReload()</code>        | Sets value the counter is set to on startup and after it reaches zero. |
| <code>CySysTickGetReload()</code>        | Returns SysTick reload value.  |



| Function                  | Description   |
|---------------------------|---|
| CySysTickGetValue()       | Gets current SysTick counter value.   |
| CySysTickSetClockSource() | Sets the clock source for the SysTick counter.                                      |
| CySysTickGetClockSource() | Returns the current clock source of the SysTick counter.                            |
| CySysTickGetCountFlag()   | Returns the SysTick count flag value.   |
| CySysTickClear()          | Clears the SysTick counter for well-defined startup.                                |
| CySysTickSetCallback()    | Sets the address(es) to the function(s) that will be called on a SysTick interrupt. |
| CySysTickGetCallback()    | Gets the specified callback pointer.  |

### ***void CySysTickStart(void)***

**Description:** Starts the system timer (SysTick): configures SysTick to generate an interrupt every 1 ms and enables the interrupt.  
There are components (LIN, CapSense Gesture) that rely on the default interval (1 ms). Changing the interval will negatively impact their functionality.

**Side Effects and Restrictions:** Clears SysTick count flag if it was set.

### ***void CySysTickInit(void)***

**Description:** Initializes the callback addresses with pointers to NULL, associates the SysTick system vector with the function that is responsible for calling registered callback functions, configures SysTick timer to generate interrupt every 1 ms.

**Side Effects and Restrictions:** Clears SysTick count flag if it was set.

The 1 ms interrupt interval is configured based on the frequency determined by PSoC Creator at build time. If System clock frequency is changed in runtime, the CyDelayFreq() with the appropriate parameter should be called to ensure that actual frequency used for SysTick reload value calculation.

### ***void CySysTickEnable(void)***

**Description:** Enables the SysTick timer and its interrupt.

**Side Effects and Restrictions:** Clears SysTick count flag if it was set.

### ***void CySysTickStop(void)***

**Description:** Stops the system timer (SysTick).

**Side Effects and Restrictions:** Clears SysTick count flag if it was set.

***void CySysTickEnableInterrupt(void)***

**Description:** Enables the SysTick interrupt.

**Side Effects and** Clears SysTick count flag if it was set.

**Restrictions:**

***void CySysTickDisableInterrupt(void)***

**Description:** Disables the SysTick interrupt.

**Side Effects and** Clears SysTick count flag if it was set.

**Restrictions:**

***void CySysTickSetReload(uint32 value)***

**Description:** Sets value the counter is set to on startup and after it reaches zero.

**Parameters:** value: Counter reset value. Valid range [0x0-0x00FFFFFF].

For example, if the SysTick timer is configured to be clocked off the 48 MHz System Clock and interrupt every 100 us is desired, the function parameter should be 4,800 (48,000,000 Hz multiplied by 100/1,000,000 seconds).

***uint32 CySysTickGetReload(void)***

**Description:** Returns SysTick reload value.

**Side Effects and** Returns SysTick reload value.

**Restrictions:**

***uint32 CySysTickGetValue(void)***

**Description:** Gets current SysTick counter value.

**Return Value:** Returns SysTick counter value.

### ***void CySysTickSetClockSource(uint32 clockSource)***

**Description:** Sets the clock source for the SysTick counter.

The function is not available on PSoC 4000, PSoC 4100, and PSoC 4200 devices. The SysTick timer is clocked by the System clock on these devices.

Clears SysTick count flag if it was set. If the clock source is not ready, this function call will have no effect. After changing the clock source to the low frequency clock, the counter and reload register values will remain unchanged. So the time to the interrupt will be significantly bigger and vice versa.

Changing the SysTick clock source and/or its frequency will change the interrupt interval and therefore CySysTickSetReload() should be called to compensate for this change.

**Parameters:** uint32 clockSource:

| Constant                       | Description   |
|--------------------------------|---|
| CY_SYS_SYST_CSR_CLK_SRC_SYSClk | SysTick is clocked by the System clock.                           |
| CY_SYS_SYST_CSR_CLK_SRC_LFCLK  | SysTick is clocked by the low frequency clock (LFCLK for PSoC 4). |

### ***uint32 CySysTickGetClockSource(uint32 clockSource)***

**Description:** Returns the current clock source of the SysTick counter.

**Return Value:**

| Constant                       | Description   |
|--------------------------------|---|
| CY_SYS_SYST_CSR_CLK_SRC_SYSClk | SysTick is clocked by the System clock.                           |
| CY_SYS_SYST_CSR_CLK_SRC_LFCLK  | SysTick is clocked by the low frequency clock (LFCLK for PSoC 4). |

### ***uint32 CySysTickGetCountFlag(void)***

**Description:** The count flag is set once SysTick counter reaches zero. The flag is cleared on read.

**Return Value:** Returns non-zero value if the counter is set, otherwise zero is returned.

**Side Effects and Restrictions:** Clears SysTick count flag if it was set.

***void CySysTickClear(void)***

**Description:** Clears the SysTick counter for well-defined startup. This function should be called if SysTick configuration (reload value or timer clock source) is changed. The function is called as part of the CySysTickStart() execution.

***(void \*) CySysTickSetCallback(uint32 number, void(\*CallbackFunction)(void))***

**Description:** This function allows up to five user-defined interrupt service routine functions to be associated with the SysTick interrupt. These are specified through the use of pointers to the function.

To set a custom callback function without the overhead of the system provided one, use CyIntSetSysVector(CY\_INT\_SYSTICK\_IRQN, cyisraddress <address>), where <address> is address of the custom defined interrupt service routine.

Note: a custom callback function overrides the system defined callback functions.

**Parameters:** uint32 number: The number of the callback function addresses to be set. The valid range is from 0 to 4.

void(\*CallbackFunction)(void): A pointer to the function that will be associated with the SysTick ISR for the specified number.

**Return Value:** Returns the address of the previous callback function. NULL is returned if the specified function address is not initialized.

**Side Effects and Restrictions:** The registered callback functions will be executed in the interrupt.

***(void \*) CySysTickGetCallback(uint32 number)***

**Description:** The function get the specified callback pointer.

**Parameters:** uint32 number: The number of callback function address to get. The valid range is from 0 to 4.

**Return Value:** Returns the address of the specified callback function. The NULL is returned if the specified address is not initialized.

**Global Variables**

| Function                | Description   |
|-------------------------|---|
| uint32 cySysTickInitVar | Indicates whether or not the SysTick has been initialized. The variable is initialized to 0 and set to 1 the first time CySysTickStart() is called. This allows the component to restart without reinitialization after the first call to the CySysTickStart() routine. If reinitialization of the SysTick is required, call CySysTickInit() before calling CySysTickStart(). Alternatively, the SysTick can be reinitialized by calling the CySysTickInit() and CySysTickEnable() functions. |

# 13 cy\_boot Component Changes



## Version 5.90

This section lists and describes the major changes in the cy\_boot component version 5.90:

| Description of Version 5.90 Changes                           | Reason for Changes / Impact |
|---|-----------------------------|
| Updated API section.<br>Updated the API Memory Usage numbers. | Datasheet changes.          |
| Added support for PSoC 4500 family of devices.                | New device support.         |

## Version 5.80

This section lists and describes the major changes in the cy\_boot component version 5.80:

| Description of Version 5.80 Changes   | Reason for Changes / Impact   |
|---|---|
| Updated algorithm of the WCO lock/unlock functionality and its impact for the device Deep Sleep / Wakeup. | Improved the IMO frequency accuracy for WCO lock/unlock functions and Deep Sleep / Wakeup on PSoC 4 devices with WCO block support. |

## Version 5.70

This section lists and describes the major changes in the cy\_boot component version 5.70:

| Description of Version 5.70 Changes   | Reason for Changes / Impact       |
|---|-----------------------------------|
| Updated API section.<br>Updated MISRA section.<br>Updated the API Memory Usage numbers. | Datasheet changes.                |
| Updated algorithm of the USB lock/unlock functionality.                                 | Enhancement for PSoC 4200L device |
| Added support for PSoC 4100S family of devices with PLL/ECO/DMA functional blocks.      | New device support.               |

## Version 5.60

This section lists and describes the major changes in the cy\_boot component version 5.60:

| Description of Version 5.60 Changes   | Reason for Changes / Impact |
|---|-----------------------------|
| Added support for future PSoC 4 devices.  | New device support.         |
| Updated the API Memory Usage numbers  | Datasheet changes.          |
| Updated CMSIS-Core version from 4.30 to 5.0.<br>GCC compiler support updated to v5.4. |                             |

## Version 5.50

This section lists and describes the major changes in the cy\_boot component version 5.50:

| Description of Version 5.50 Changes  | Reason for Changes / Impact |
|--|-----------------------------|
| Added project deviation for the MISRA rule 5.6.  | Datasheet changes.          |
| Updated the API Memory Usage numbers   |                             |
| New APIs added: CySysTickGetClockSource, CySysEnablePumpClock.                                 |                             |
| Default interrupt handler for PSoC 4 is now updated to catch memory allocation failure errors. |                             |

## Version 5.40

This section lists and describes the major changes in the cy\_boot component version 5.40:

| Description of Version 5.40 Changes   | Reason for Changes / Impact                   |
|---|---|
| Added support for PSoC Analog Coprocessor, PSoC 4000S and PSoC 4100S family of devices. | New device support.                           |
| Updated CMSIS-Core version from 4.10 to 4.30.   |   |
| Added System Functions for Programmable Voltage Reference block support                 | Programmable Voltage Reference block support. |
| Updated CySysTickStart and CySysTickSetClockSource functions descriptions               | Datasheet changes.                            |
| Updated System Timer Functional Description   |   |

## Version 5.30

This section lists and describes the major changes in the cy\_boot component version 5.30:

| Description of Version 5.30 Changes   | Reason for Changes / Impact   |
|---|---|
| Added support for PSoC 4200L family of devices.   | New device support.   |
| Added CySysSFlashWriteUserRow() for PSoC 4 BLE/PSoC 4-M/PSoC 4-D/PSoC 4-L devices.  | This API can be used to write data to user configurable areas of SFLASH.  |
| Updated CySysClkWriteHfclkDirect() function with the PSoC 4200L device support.   | Added CY_SYS_CLK_HFCLK_PLL0 and CY_SYS_CLK_HFCLK_PLL1 parameters.   |
| Updated CMSIS-Core version from 4.00 to 4.10.   |   |
| The Start_c() function updated with the macro callback support.   | Used in Start_c() to execute custom pre-main initialization code. This callback function replaces Cypress provided initialization routines. |
| Added CySysSetRamAccessArbPriority(), CySysSetFlashAccessArbPriority(), CySysSetDmacAccessArbPriority(), CySysSetPeripheralAccessArbPriority() for the DMA-capable PSoC devices to configure access priority between CPU and DMA. | API for the RAM/flash/DMAC/peripheral access priority between CPU and DMA.  |
| Updated CySysTickSetClockSource() function description to state that the function is not available  |   |

| Description of Version 5.30 Changes   | Reason for Changes / Impact  |
|---|--|
| on PSoC 4000, PSoC 4100, and PSoC 4200 devices.   |  |
| Update CySysPmHibernate() function to disable input buffers for all ports before entering Hibernate low power mode for the all PSoC 4 devices but PSoC 4100 and PSoC 4200.  | The operation of the input buffer is not guaranteed if VCCD drops down to 1.0 V. |
| Updated CySysClkImoEnableWcoLock() to eliminate the IMO frequency excursion on the wakeup from Deep Sleep low power mode.   |  |
| Updated IAR linker file with the OTA upgradable stack support required for the Bootloader/Bootloadable components.  |  |
| Clock API: PSoC 4200L: Updated CySysClkImoStart(), CySysClkImoStop(), and CySysClkWritelmoFreq() function with the Trim to USB functionality. Added CySysClkImoEnableUsbLock(), CySysClkImoDisableUsbLock(), CySysClkImoGetUsbLock() functions. |  |

## Version 5.20

This section lists and describes the major changes in the cy\_boot component version 5.20:

| Description of Version 5.20 Changes   | Reason for Changes / Impact   |
|---|---|
| Updated linker scripts for adding checksum exclude section. See Bootloader/Bootloadable components datasheet for the details. | Provided method to store data in the flash section with the bootloadable application checksum not being computed over it. |
| Fixed CYSWAP_ENDIAN16() and CYSWAP_ENDIAN32() for signed parameters.  | Defect fix.   |
| Added information that Bit Field Manipulation API deviates the MISRA rules 19.12 and 19.13.                                   | Datasheet changes.  |
| Corrected CyIntSetPriority() priority parameter's valid range to be from 0 to 3.  | Datasheet changes.  |
| Datasheet update.   | Added Macro Callbacks section.  |

## Version 5.10

This section lists and describes the major changes in the cy\_boot component version 5.10:

| Description of Version 5.10 Changes | Reason for Changes / Impact  |
|-------------------------------------|--|
| Updated Flash API.                  | Added support for future devices.  |
| Datasheet changes.                  | Updated descriptions of the CySysClkImoStart(), CySysClkImoStop(), and CySysClkWritelmoFreq() functions with the Trim to WCO feature. Added descriptions of the CySysClkImoEnableWcoLock() and CySysClkImoDisableWcoLock(). Updated the API Memory Usage numbers for PSoC 4200M. |

## Version 5.0

This section lists and describes the major changes in the cy\_boot component version 5.0:

| Description of Version 5.0 Changes   | Reason for Changes / Impact  |
|--|--|
| Added support for PSoC 4200M / PSoC 4200M family of devices.   | New device support.  |
| Added support for PSoC 4100 BLE and PSoC 4200 BLE family of devices with 256 K flash memory.   | New device support.  |
| For PSoC 4 family of devices, the APIs related to LFCLK including ILO, WCO, WDT are now part of CyLFClk system wide resource.  | This change was done to streamline grouping of APIs with respect to functionality. Backward compatibility will not be affected.                                |
| New example projects for flash/EEPROM, voltage detection, interrupts, unique id have been added.   |  |
| System Reference Guide is now divided into:<br>System Reference Guide - PSoC 3/PSoC 5LP<br>System Reference Guide - PSoC 4<br>System Reference Guide - DMA (PSoC 4)<br>System Reference Guide - CyLFClk (PSoC 4) | This change was done for ease of use of content.   |
| New CyGetUniqueld() API support for all PSoC families.   | The new API assists users in identifying each PSoC device on the field using an unique identification number.  |
| New bit field manipulation APIs for PSoC 4 families.   | The new APIs can be used to set, reset and toggle individual bit(s) of registers by their field names.   |
| Voltage Detect API: Updated implementation of the CySysLvdEnable() functions to ensure that no false interrupts are generated.   |  |
| Voltage Detect API: Updated description of the CySysLvdEnable() function to clarify that it does not change state of the associated global interrupt.  |  |
| Updated CMSIS-Core version from 3.20 to 4.0.   |  |
| Removed the Bootloader Migration section.  | Section was for older versions of Creator and not applicable to v5.0.  |
| Added support for CMSIS-PACK.  | This feature supports exporting PSoC firmware projects to Keil $\mu$ Vision v5.  |
| Added attribute definitions CY_PACKED, CY_PACKED_ATTR and CY_INLINE.   | Better programming support.  |
| PSoC 4000 / PSoC 4100 / PSoC 4200: Optimized implementation of the CySysFlashWriteRow() to use less stack space.   |  |
| Clock API: optimized implementation of the CySysClkWritelmoFreq() to use less flash memory.  |  |
| SysTick API: Fixed incorrect mask being applied in the CySysTickGetValue().  | To ensure that correct values are returned.  |
| PSoC 4100 BLE/ PSoC 4200 BLE: updated implementation of the CySysClkWriteEcoDiv() to skip divider update when ECO sources.   | The ECO should not source HFCLK when ECO divider value is changed. If ECO divider should be changed: switch to IMO, change ECO divider and switch back to ECO. |
| PM API: Replaced 'asm' with '__asm'.   | To support -std GCC options.   |



| Description of Version 5.0 Changes   | Reason for Changes / Impact   |
|--|---|
| PM API: Updated description of the CySysPmFreezeLo() and CySysPmUnfreezeLo().  |   |
| Clock API: PSoC 4200M / PSoC 4200M: Updated CySysClkImoStart(), CySysClkImoStop(), and CySysClkWritelmoFreq() function with the Trim to WCO functionality. Added CySysClkImoEnableWcoLock() and CySysClkImoDisableWcoLock(). |   |
| Fixed the issue when device may jump to default interrupt handler when the Link-Time Optimization options is enabled.  | Ensured compiler will not inline functions executed before main().  |
| Flash API: Updated implementation for the PSoC 4200 BLE family of devices with 256 K flash memory. The CySysFlashWriteRow() does not modify device clock settings: the IMO and HFCLK settings are not changed.               |   |
| Flash API: Update CySysFlashWriteRow() function implementation to use less stack space.  |   |
| Bootloader: Fixed the issue when bootloadable application was not allowed to be placed in the first available flash row when the "Manual application image placement" option is enabled in the Bootloadable component.       |   |
| Updated IAR linker configuration file to ensure that maximum size for the ROM vectors block is not exceeded.   | Fix error that causes following message: "Error[Lp004]: actual size exceeds maximum size (0x100) for block "ROMVEC" |
| Bootloader: Added support for the combination project type. See Bootloader component datasheet for the details.  | Added support for a new functionality of the Bootloader component.  |
| Corrected references to #defines in CySysTickSetClockSource() function   |   |

## Version 4.20

This section lists and describes the major changes in the cy\_boot component version 4.20:

| Description of Version 4.20 Changes   | Reason for Changes / Impact |
|---|-----------------------------|
| Added support for the PSoC 4100 BLE and PSoC 4200 BLE families.   | New device support.         |
| Added CySysClkSetLfclkSource() function for the LFCLK clock source selection.   |                             |
| PSoC 3/PSoC5LP: Updated CyWriteRowFull() function implementation to return CYRET_BAD_PARAM if invalid parameters values are passed. |                             |
| PSoC 3: Fixed a defect that caused the CyResetStatus global variable to lose its value on bootloadable application entry.           |                             |

| Description of Version 4.20 Changes   | Reason for Changes / Impact   |
|---|---|
| PSoC 4: The implementation of the CY_SYS_PINS_READ_PIN macro was optimized in order to increase performance.  |   |
| PSoC 4100/PSoC 4200/PSoC 4100 BLE/ PSoC 4200 BLE: Updated implementation of the CySysClkIloStop() to ensure proper pulse length on LFCLK.   |   |
| PSoC 4100/PSoC 4200: WDT API: Fixed the defect in CySysWdtWriteClearOnMatch() that caused clear on match feature fails to be disabled.  |   |
| PSoC 4100/PSoC 4200/PSoC 4100 BLE/ PSoC 4200 BLE: Updated CySysPmStop() function implementation to match hardware requirements: the software delay was replaced with 2 register read-backs and corrected the procedure of the low power mode entry. |   |
| PSoC 4100/PSoC 4200/PSoC 4100 BLE/ PSoC 4200 BLE: Fixed the order of the Stop mode entry in the CySysPmStop() function to ensure that Stop mode token is set at the beginning of the low power mode entry.  | Omit the situation when GPIO pins remain frozen after the reset if reset occurred after IO pin freeze but before Stop mode entry.   |
| Added following attribute macros: CY_PACKED, CY_PACKED_ATTR and CY_INLINE.  |   |
| The declaration of the IntDefaultHandler created in CyLib.h.  | Previously, the IntDefaultHandler was declared in both interrupt source file and Cm0Start.c files.  |
| PSoC 4000: Corrected the lower bound of the HFCLK frequency change from the current IMO frequency divided by 8 to divided by 4 in the wside effects section of the CySysFlashWriteRow() function.   |   |
| PSoC 3/ PSoC 5LP: Updated implementation of the CySetTemp() function in order to improve execution time of the first call after Power-On-Reset (POR).   | Significantly improved the first Flash write after POR.   |
| PSoC 4/PSoC 5LP: Added sbrk() function, which is used by malloc() and other heap-utilizing functions to check for available memory.   | The fix ensures that malloc(), et al, now correctly handle heap overflow.<br>Note that some projects will now fail to execute due to a lack of available heap. The resolution is to increase the heap size in the Design-Wide Resources System Editor (<project>.cydwr file), and re-build the project. |
| PSoC 4/ PSoC 5LP: Added the following MISRA rule deviations: 20.5.  | Caused by use of the error indicator errno used by sbrk() function. It is used to report error to the malloc() function if no heap memory available.  |

| Description of Version 4.20 Changes   | Reason for Changes / Impact   |
|---|---|
| PSoC 4100/PSoC 4200/PSoC 4100 BLE/ PSoC 4200 BLE: <ul style="list-style-type: none"> <li>Updated CySysWdtEnable() function implementation to ensure that WDT is enabled upon function exit;</li> <li>Updated CySysWdtWriteMatch() function implementation to ensure that match value is updated properly: add delay before (ensures that last update applied properly) and after value change (ensures that match update synchronization started).</li> <li>Updated CySysWdtDisable() function implementation to ensure that WDT is disabled upon function exit.</li> </ul> |   |
| PSoC 4/PSoC 5LP: Updated IAR linker script file to eliminate warning generated by the IAR EW-ARM v7.10.   |   |
| PSoC 4: The CySysFlashWriteRow() function return type changed from cystatus to uint32.  | To follow hardware-defined error codes. The basic behavior remains the same: zero for success and non-zero for any type of failure. |
| PSoC 5LP: The CyFlash_SetWaitCycles() function is updated with 80 MHz parts support.  |   |
| PSoC 4/PSoC 5LP: Added System Timer (SysTick) API.  |   |
| PSoC 3/PSoC 5LP: Flash/EEPROM API: updated implementation to eliminate requirement to call CySetFlashEEBuffer() function, if the Flash ECC feature is disabled.   | No need to allocate buffer and pass it to CySetFlashEEBuffer() for both Flash and EEPROM programming.                               |
| PSoC 3/PSoC 5LP: Flash API: added CY_EEPROM_NUMBER_SECTORS and CY_EEPROM_SIZEOF_SECTOR.   | Defined macros for the number of EEPROM sectors and size of EEPROM sector.  |
| PSoC 4/PSoC 5LP: Interrupt API: added macros for the CyIntSetSysVector() and CyIntGetSysVector() functions exception type numbers.  |   |
| PSoC 3: The CyPmSleep() and CyPmHibernate() functions disable clock to the interrupt controller before Sleep and Hibernate mode entry and re-enable on wakeup.  | Satisfy interrupt controller usage model.   |
| PSoC 3/PSoC 5LP: Updated CyFlash_Start() and CyEEPROM_Start() functions implementation.   | To ensure that EEPROM and Flash are ready for operation on corresponding function exit.   |
| PSoC 5LP: Changed CyFlushCache() implementation.  | To use Instruction Synchronization Barrier (ISB) instruction instead of multiple no operation instructions.                         |
| PSoC 4: The CY_SYS_PINS_READ_PIN macro was optimized for the better performance.  |   |
| PSoC 4200/PSoC 4100: updated CySysClkWritelmoFreq() function for better performance.  |   |

| Description of Version 4.20 Changes   | Reason for Changes / Impact   |
|---|---|
| PSoC 4: Added the following MISRA rule deviations: 19.12 and 19.13.   | Added the possibility for existing PSoC 3 and PSoC 5LP per-pin APIs to be used in PSoC 4 designs.   |
| Updated the following MISRA rule deviations: 12.10, 12.13, 13.2, and 13.5.  |   |
| PSoC 4000: Update WDT API description to clarify that CySysWdtEnable() and CySysWdtDisable() correspondingly enables and disables the watchdog timer reset generation.  |   |
| PSoC 4000: Fixed the implementation of the CySysWdtReadIgnoreBits() to return correct number of the ignored bits in the WDT counter.                                    |   |
| PSoC 3/PSoC 5LP: removed LVI/HVI reset constants for the CyResetStatus global variable in section "Preservation of Reset Status".                                       | The LVI and HVI resets are not reported by CyResetStatus variable.  |
| PSoC 4100/PSoC 4200: Power Management API: Updated CySysPmDeepSleep() function to bypass the flash accelerator before Deep Sleep mode entry and restore it upon wakeup. | Cypress identified a defect with the Flash write functionality upon wakeup from deep-sleep in PSoC 4100 and PSoC 4200 devices. The corrupted data has the potential to be sent to the CPU on device wakeup. |

## Version 4.11

This section lists and describes the major changes in the cy\_boot component version 4.11:

| Description of Version 4.11 Changes   | Reason for Changes / Impact  |
|---|--|
| The CySysFlashWriteRow() function now checks the data to be written and, if necessary, modifies it to have a non-zero checksum. After writing to Flash, the modified data is replaced (Flash program) with the correct (original) data. | Cypress identified a defect with the Flash write functionality of the PSoC 4000, PSoC 4100, and PSoC 4200 devices. The CySysFlashWriteRow() function in the cy_boot [v4.0 and v4.10] component fails to write a row of flash memory if the data to be written has a zero in the lower 32-bits of the checksum. |

## Version 4.10

This section lists and describes the major changes in the cy\_boot component version 4.10:

| Description of Version 4.10 Changes  | Reason for Changes / Impact  |
|--|--|
| PSoC 4: Added CySysGetResetReason() function.  | Reports the cause for the latest reset(s) that occurred in the system. |
| Added support for the PSoC 4000 family.  | New device support.  |
| PSoC 3: Added reentrancy support for the CySpcLock() and CySpcUnlock() functions.  |  |
| PSoC 3/ PSoC 5LP: Fixed the defect in CyPmRestoreClocks() function, that can might to the device halt during the function execution, in some clock system configurations, when PLL is not sourced by IMO and IMO is manually stopped by user code. |  |

| Description of Version 4.10 Changes  | Reason for Changes / Impact   |
|--|---|
| PSoC 4: Added note that enabling or disabling a WDT requires three LFCLK cycles to come into effect, during that period the SYSCLK should be available.  | The device should not put into Deep Sleep mode during that period.  |
| PSoC 4: Added note that, after waking from Deep Sleep, the WDT internal timer value is set to zero until the ILO loads the register with the correct value.  | This led to an increase in low-power mode current consumption.<br><br>The work around is to wait for the first positive edge of the ILO clock before allowing the WDT_CTR_* registers to be read by CySysWdtReadCount() function. |
| Added note to the "Working with Flash and EEPROM" section with the information that CPU code execution can be halted till the flash write is complete.   |   |
| Added note to the "Working with Flash and EEPROM" section with the information that power manager will not put the device into a low power state if the system performance controller (SPC) is executing a command.        |   |
| PSoC 3 / PSoC 5LP: The CyPmRestoreClocks() implementation was enhanced by polling status and proceed as soon as PLL is locked. Added merge section to add ability of handling cases when predefined timeout is not enough. |   |
| PSoC 4: Fixed a defect in CySysWdtClearInterrupt() that caused unintentional clearing of the WDT interrupt status bit.   |   |

## Version 4.0

This section lists and describes the major changes in the cy\_boot component version 4.0:

| Description of Version 4.0 Changes   | Reason for Changes / Impact   |
|--|---|
| Added note to the <a href="#">Flash</a> section about unavailability of the Store Configuration Data in ECC Memory DWR option for the bootloader project type. |   |
| Added note to the Working with Flash and EEPROM section that when writing Flash, data in the instruction cache can become stale.                               | Call CyFlushCache() to invalidate the data in cache and force fresh information to be loaded from Flash.  |
| Fixed issue in the CyDmaChEnable() and CyDmaChDisable() functions.   | If DMA request occurred during these functions, the DMA channels configuration could be corrupted. The APIs were changed to address this problem. |
| Removed references to PSoC 5 device.   | PSoC 5 has been replaced by PSoC 5LP.   |
| PSoC Creator Generated Sources Deviations section was updated with the MISRA deviations related to the AMuxSeq component.                                      |   |
| The CY_IMO_FREQ_74MHZ parameter was added to the CyIMO_SetFreq() function.   | Support of the 80 MHz PSoC 5LP devices.   |

| Description of Version 4.0 Changes  | Reason for Changes / Impact   |
|---|---|
| PSoC 4: Added CyExitCriticalSection() function call after WFI instruction in the CySysPmHibernate() function. | If any interrupt occurred between CyEnterCriticalSection() and WFI instruction execution, the device could skip low power mode entry request and continue code execution with global interrupts disabled. |

## Version 3.40 and Older

### Version 3.40

This section lists and describes the major changes in the cy\_boot component version 3.40:

| Description of Version 3.40 Changes   | Reason for Changes / Impact  |
|---|--|
| Added PSoC 4 device support.  | New device support.  |
| PSoC 3: Updated CyPmSleep() function description with the information that hardware buzz must be disabled before sleep mode entry.<br><br>As hardware buzz is required for LVI, HVI, and Brown Out detect operations – they must be disabled before sleep mode entry and restored on wakeup. If LVI or HVI is enabled, CyPmSleep() will halt device if project is compiled in debug mode. | Using hardware buzz in conjunction with other device wakeup sources can cause the device to lockup, halting further code execution. Refer to the device errata for more information. |

### Version 3.30

This section lists and describes the major changes in the cy\_boot component version 3.30:

| Description of Version 3.30 Changes  | Reason for Changes / Impact  |
|--|--|
| Updates to support PSoC Creator 2.2.   |  |
| Added <a href="#">MISRA Compliance</a> section.  |  |
| Added <a href="#">Low Voltage Analog Boost Clocks</a> section.   | New feature for the SC-based (TIA, Mixer, PGA and PGA_Inv) components.   |
| Added requirement about interrupt configuration, when interrupt is sources from PICU and used as a wakeup event.   | For PSoC 5LP, the interrupt component connected to the wakeup source may not use the "RISING_EDGE" detect option. Use the "LEVEL" option instead.  |
| The delay between Bus clock and analog clocks configuration save/restore moved from CyPmSleep() and CyPmHibernate() functions to CyPmSaveClocks() / CyPmRestoreClocks(). | This modification decrease CyPmSleep() and CyPmHibernate() functions execution time. The components that use analog clock must not be used after CyPmSaveClocks() execution till the clocks configuration will be restored by CyPmRestoreClocks(). |
| Added float32 and float64 data types. The type float64 is not available for PSoC 3 devices.  |  |

## Version 3.20

This section lists and describes the major changes in the cy\_boot component version 3.20:

| Description of Version 3.20 Changes  | Reason for Changes / Impact                                    |
|--|--|
| Many minor edits throughout the document to distinguish features of PSoC 5 and PSoC 5LP devices.             | Improve PSoC 5 and PSoC 5LP documentation.                     |
| The interface of the CyIMO_SetFreq() function was updated for PSoC 5LP to support 62 and 72 MHz frequencies. | Added interface to configure IMO to 62 and 72 MHz on PSoC 5LP. |

## Version 3.10

This section lists and describes the major changes in the cy\_boot component version 3.10:

| Description of Version 3.10 Changes   | Reason for Changes / Impact   |
|---|---|
| The Bootloader system was redesigned in cy_boot version 3.0 to separate the Bootloader and Bootloadable components. The change is listed here as well for migrating from older versions.  | See Bootlader Migration section in cy_boot version 3.10 System Reference Guide. |
| A few edits were applied to the Voltage Detect APIs: fixed a typo in the register definition, added CyVdLvDigitEnable() function threshold parameter mask to protect from invalid parameter values, updated CyVdLvDigitEnable() and CyVdLvAnalogEnable() functions to use delay instead of while loop during hardware initialization. | To improve the overall implementation of these APIs.                            |
| Minor updates to the CyPmSleep() function.  | Better support of latest PSoC 3 devices.  |

## Version 3.0

This section lists and describes the major changes in the cy\_boot component version 3.0:

| Description of Version 3.0 Changes   | Reason for Changes / Impact  |
|--|--|
| The Bootloader system was redesigned to separate the Bootloader and Bootloadable components.   | See Bootlader Migration section in cy_boot version 3.0 System Reference Guide. |
| The CyPmSleep() function implementation was updated to preserve/restore PRES state before/after Sleep mode. The support of the HVI/LVI functionality added.  | New functionality support.   |
| Added following Voltage Detect APIs: CyVdLvDigitEnable(), CyVdLvAnalogEnable(), CyVdLvDigitDisable(), CyVdLvAnalogDisable(), CyVdHvAnalogEnable(), CyVdHvAnalogDisable(), CyVdStickyStatus() and CyVdRealTimeStatus(). | Added voltage monitoring APIs.   |
| The implementation of the Flash API was slightly modified as the SPC API used in Flash APIs was refactored.  | The implementation quality improvements.                                       |

| Description of Version 3.0 Changes   | Reason for Changes / Impact   |
|--|---|
| The implementation of the CyXTAL_32KHZ_Start(), CyXTAL_32KHZ_Stop(), CyXTAL_32KHZ_ReadStatus() and CyXTAL_32KHZ_SetPowerMode() APIs was updated.   | Added additional timeouts to ensure proper block start-up.  |
| The implementation of the CyXTAL_Start() function for PSoC 5 parts was changed. For more information on function see Clocking section.   | Changes were made to make sure that MHZ XTAL starts successfully on PSoC 5 parts.   |
| The following APIs were removed for PSoC 5 parts: CyXTAL_ReadStatus(), CyXTAL_EnableErrStatus(), CyXTAL_DisableErrStatus(), CyXTAL_EnableFaultRecovery(), CyXTAL_DisableFaultRecovery(). | The functionality provided within these APIs is not supported by the PSoC 5 part.   |
| The CyDmacConfigure() function is now called by the startup code only if DMA component is placed onto design schematic.  | Increase device startup time in case if DMA is not used within design. The CyDmacConfigure() function should be called manually if DMA functionality is used without DMA component. |
| The CyXTAL_32KHZ_ReadStatus() function implementation was changed by removing digital measurement status return.   | The analog status measurement is the only reliable source.  |
| Updated description of following APIs: CyFlash_SetWaitCycles().  | Changes were made to improve power mode configuration.  |
| The address of the top of reentrant stack was decremented from CYDEV_SRAM_SIZE to (CYDEV_SRAM_SIZE - 3) for PSoC 3.  | Prevent rewriting CyResetStatus variable with the parameters and/or local variables of the reentrant function during its execution.   |
| The CyIMO_SetFreq() function implementation was updated by removing support of 74 and 62 MHz parameters for PSoC 5 parts.  | Removal of the functionality that is not supported by device.   |
| The minimal P divider value for the CyPLL_OUT_SetPQ() was risen from 4 up to 8.  | To meet hardware requirements   |
| The CyXTAL_SetFbVoltage()/SetWdVoltage() were added for PSoC 5LP devices.  | The functionality provided by these APIs is available in PSoC 5LP.  |
| The description of the CyWdtStart() was updated.   | Added notes on WDT operation during low power modes for PSoC 5.   |
| The implementation of the CyPmSleep() for PSoC 5 was changed not to hold CTW in reset on wakeup.   | Not putting CTW in reset state on wakeup allows to combine CTW usage in both Active and low power modes for PSoC 5.   |
| The <i>Preservation of Reset Status</i> section was updated with more detailed information.  | The software reset behavior of other resets is explained. Explained how the reset status variable can be used.  |
| Updated description of following APIs: CyMasterClk_SetDivider(), CyWdtStart(), CyWdtStart().   | To reflect implementation better.   |
| The Startup and Linking section was updated. The information on using custom linker script was added.  | To provide more information on device operation.  |



| Description of Version 3.0 Changes  | Reason for Changes / Impact   |
|---|---|
| Following macros were removed: CYWDT_TICKS<br>CYWDT_CLEAR, CYWDT_ENABLE<br>CYWDT_DISABLE_AUTO_FEED. | The CyWdtStart() and CyWdtClear() should be used instead.   |
| The CyCpuClk_SetDivider() was removed for PSoC 5 devices.   | The hardware does not support this functionality.   |
| The cystrcpy(), cystrlen(), CyGetSwapReg16() and CySetSwapReg16() APIs were removed.                | The library functions should be used.   |
| The return value description for CyEnterCriticalSection() function was updated for PSoC 5.          | Function returns 0 if interrupts were previously enabled or 1 if interrupts were previously disabled.   |
| Added all APIs with the CYREENTRANT keyword when they are included in the .cyre file.               | Not all APIs are truly reentrant. Comments in the component API source files indicate which functions are candidates.<br>This change is required to eliminate compiler warnings for functions that are not reentrant used in a safe way: protected from concurrent calls by flags or Critical Sections. |
| Added PSoC 5LP support  |   |

## Version 2.40

This section lists and describes the major changes in the cy\_boot component version 2.40:

| Description of Version 2.40 Changes               | Reason for Changes / Impact                            |
|---|--|
| Updated the CyPmSleep() and CyPmHibernate() APIs. | Changes were made to improve power mode configuration. |

## Version 2.30 and Older

Version 2.30 and older are obsolete.