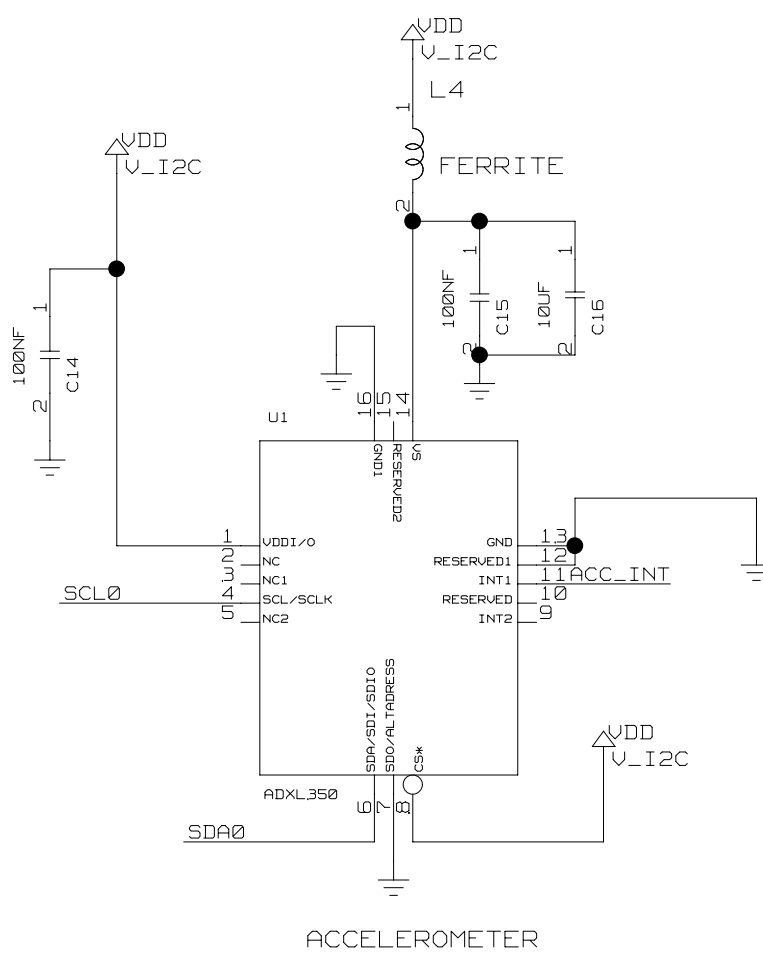
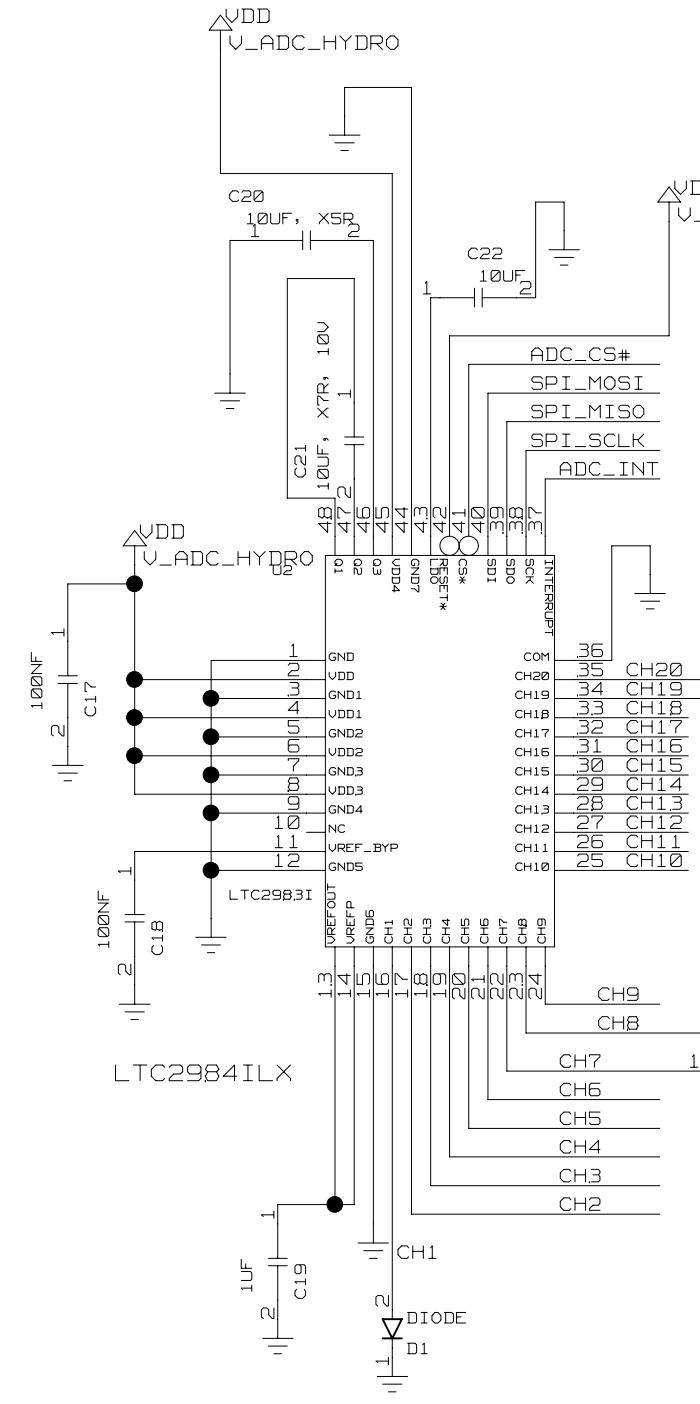


- CHANGES FOR REVISION 2.0 ON 2/3/2015
1. INH ENABLE INPUT OF U5, U6, U7 CONNECTED TO GND.
  2. VALUE OF C9 CHANGED TO 22PF.
  3. VALUE OF C8 CHANGED TO 100PF.
  4. VALUE OF L3 CHANGED TO 18UH.
  5. VALUE OF R6, R7, R9 CHANGED TO DNP.
  6. VALUE OF R4, R5, R8 CHANGED TO 1MOHM.
  7. FOUR 1MOHM PULL-DOWN RESISTORS ADDED TO JB.

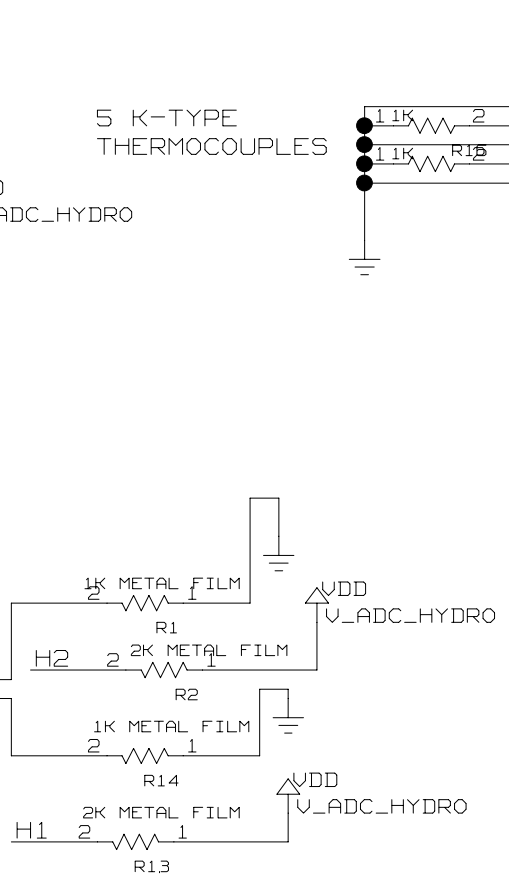
<b>ASTUS</b> s.a. ADVANCED SYSTEM TECHNOLOGIES & USER SERVICES			
PROJECT:	STRUCTURAL HEALTH MONITORING PLATFORM	REV.: 2.0	SIZE: B
TITLE:	CUT-WIRE SENSORS	DATE:	7/8/2015
DRAWN BY:	G. D. A. A	PAGE:	OF 1/7



ACCELEROMETER

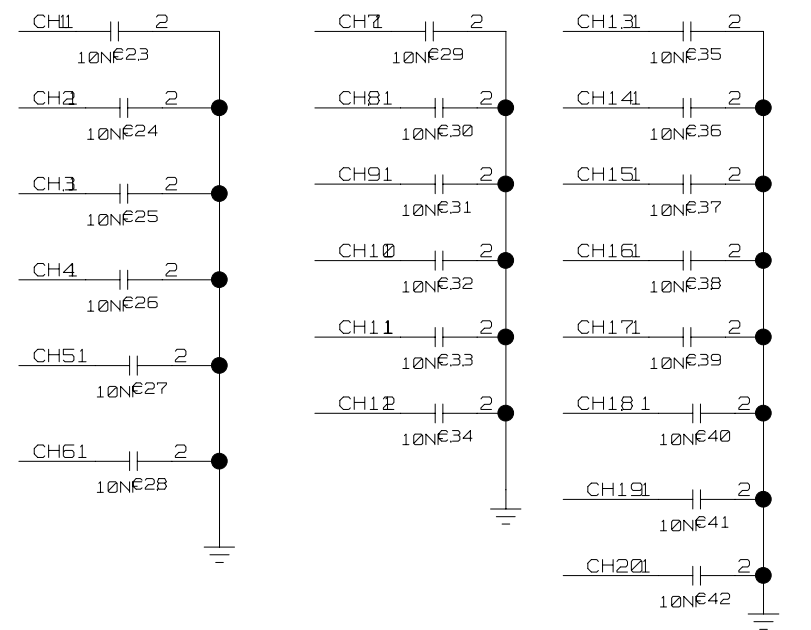


LTC2984ILX

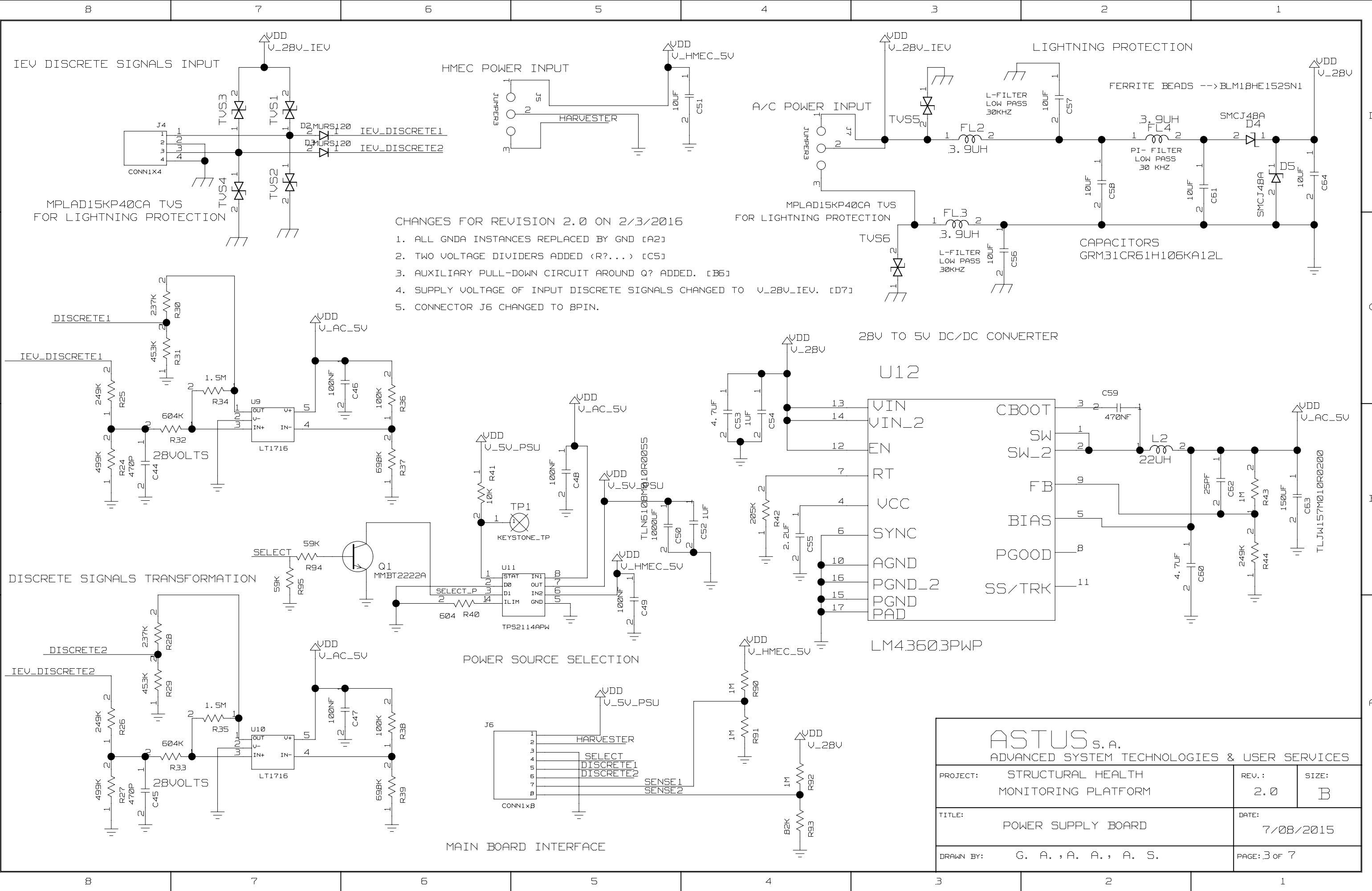


5 K-TYPE THERMOCOUPLES

CONN2X13	CONN2X13	CONN2X13	CONN2X13	CONN2X13	CONN2X13
P1	P2	P3	P4	P5	P6
P7	P8	P9	P10	P11	P12
P13	P14	P15	P16	P17	P18
P19	P20	P21	P22	P23	P24
P25	P26				

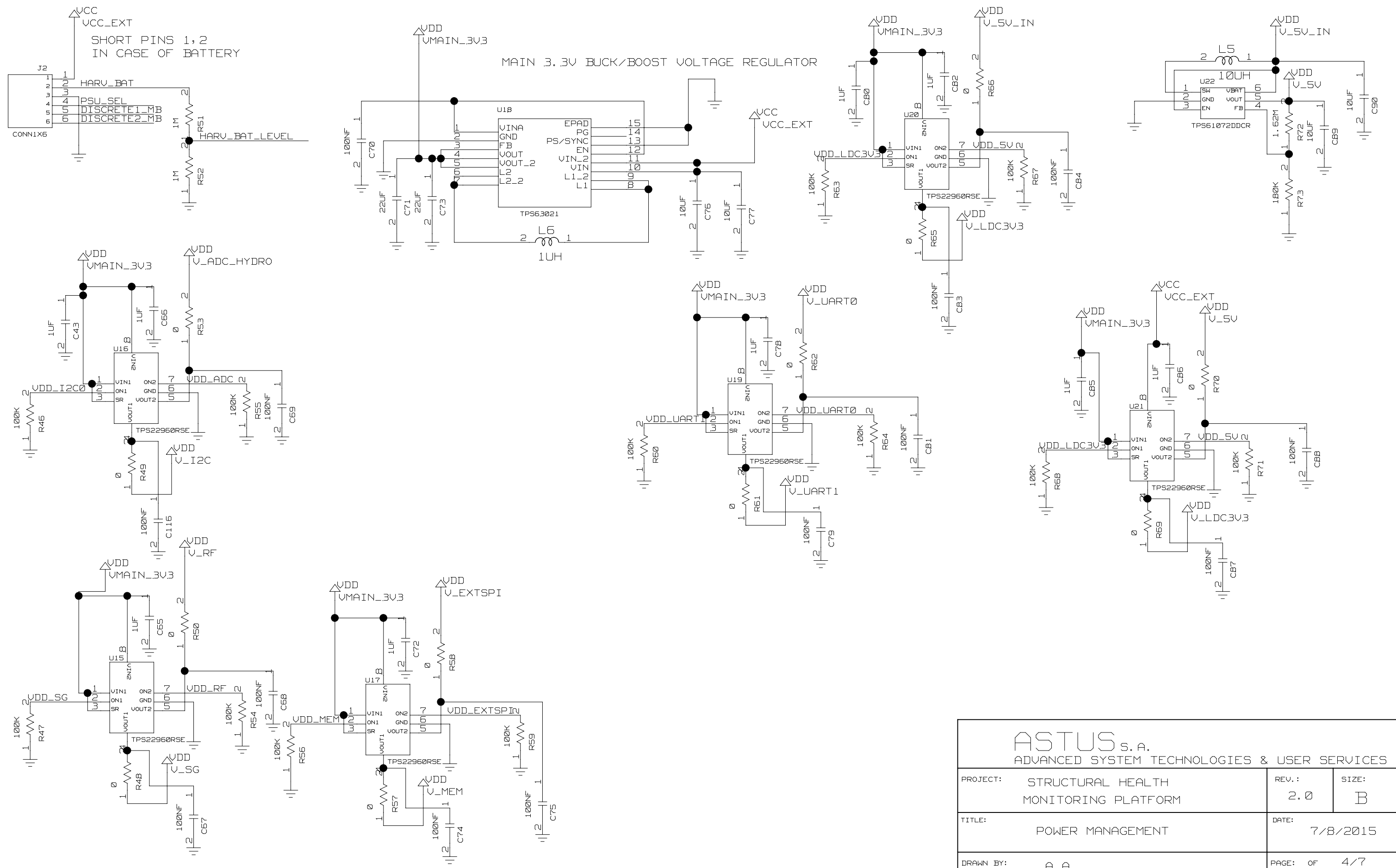


<b>ASTUS</b> S.A. ADVANCED SYSTEM TECHNOLOGIES & USER SERVICES		
PROJECT:	STRUCTURAL HEALTH MONITORING PLATFORM	REV. : 2.0
TITLE:	ACCEL, ADC	DATE: 7/8/2015
DRAWN BY:	G. D. A. A.	PAGE: OF 2/7

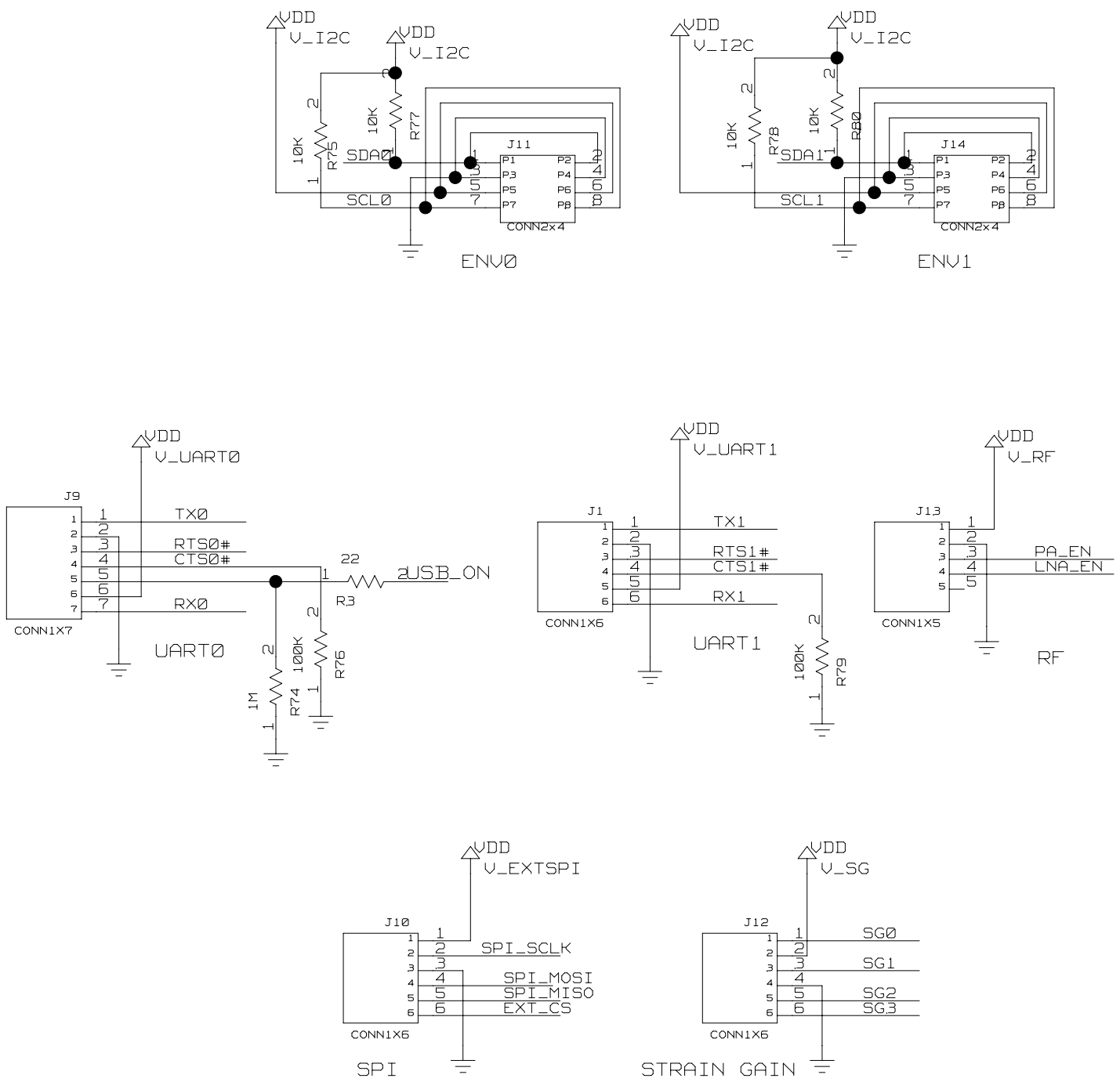


- CHANGES FOR REVISION 2.0 ON 2/3/2016
1. ALL GND\_A INSTANCES REPLACED BY GND [A2]
  2. TWO VOLTAGE DIVIDERS ADDED (R?... ) [C5]
  3. AUXILIARY PULL-DOWN CIRCUIT AROUND Q? ADDED. [B6]
  4. SUPPLY VOLTAGE OF INPUT DISCRETE SIGNALS CHANGED TO V\_28V\_IEV. [D7]
  5. CONNECTOR J6 CHANGED TO 6PIN.

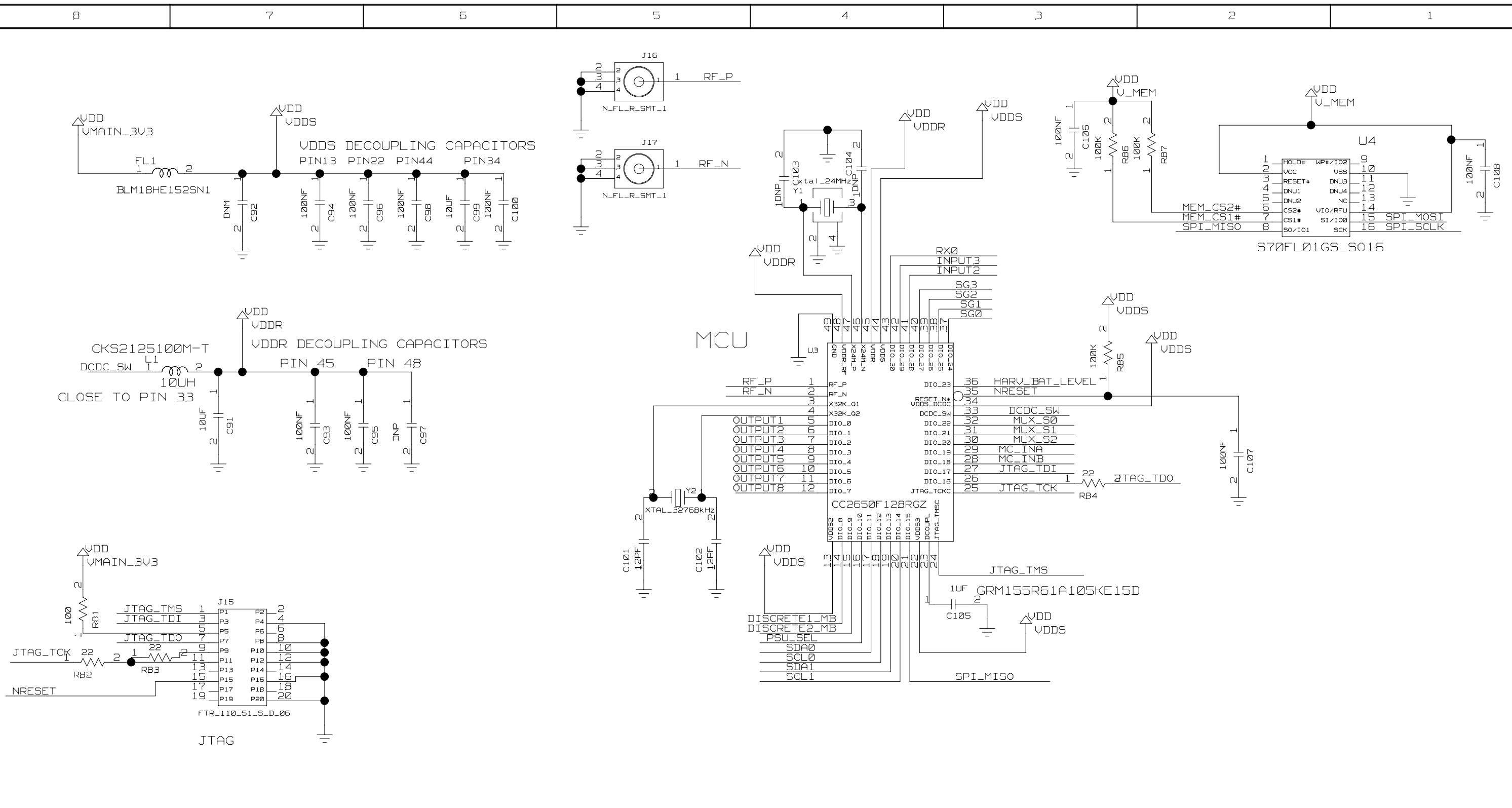
<b>ASTUS s.a.</b> ADVANCED SYSTEM TECHNOLOGIES & USER SERVICES		
PROJECT:	STRUCTURAL HEALTH MONITORING PLATFORM	REV. : 2.0
TITLE:	POWER SUPPLY BOARD	DATE: 7/08/2015
DRAWN BY:	G. A. , A. A. , A. S.	PAGE: 3 of 7



<b>ASTUS</b> S.A. ADVANCED SYSTEM TECHNOLOGIES & USER SERVICES		
PROJECT:	STRUCTURAL HEALTH MONITORING PLATFORM	REV.: 2.0
TITLE:	POWER MANAGEMENT	DATE: 7/8/2015
DRAWN BY:	A. A.	PAGE: OF 4/7

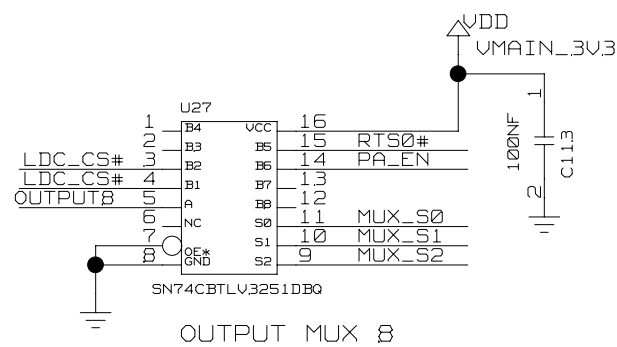
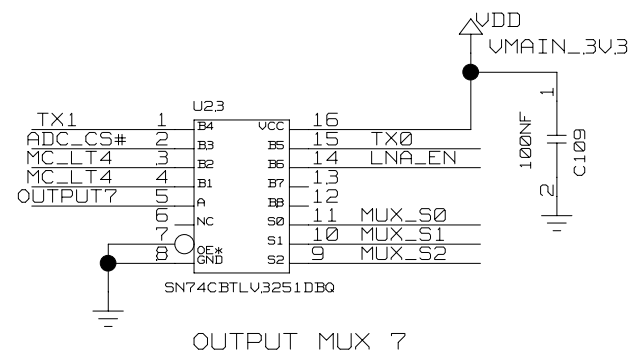
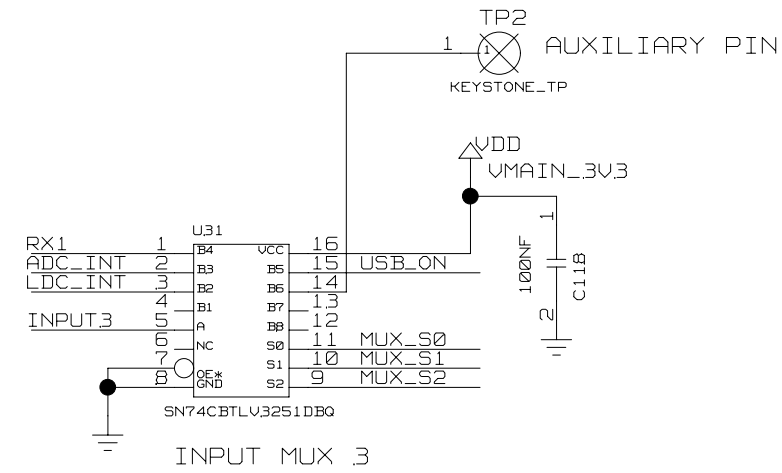
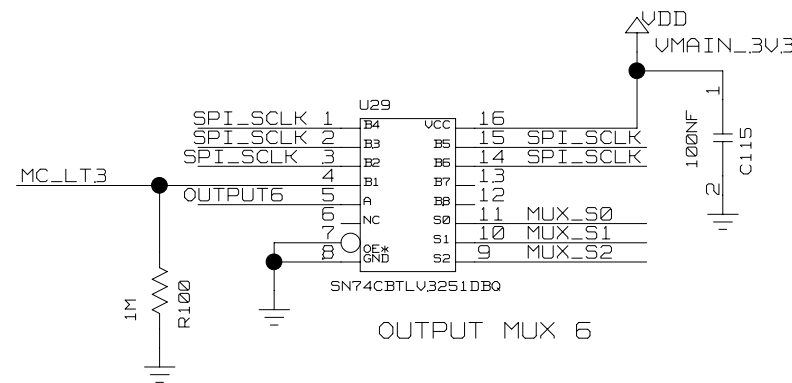
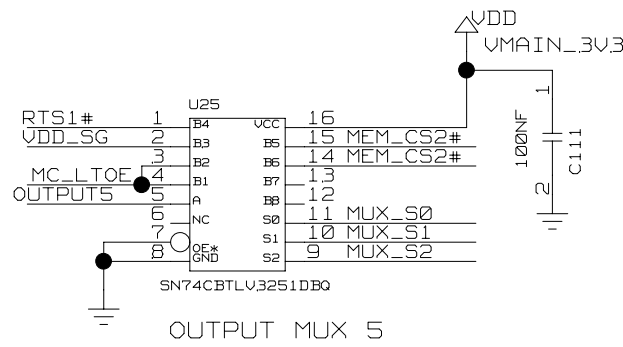
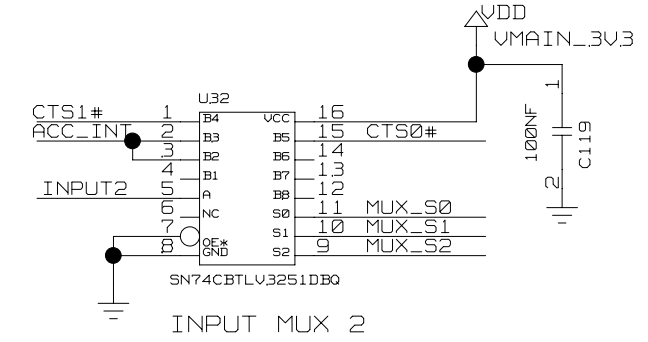
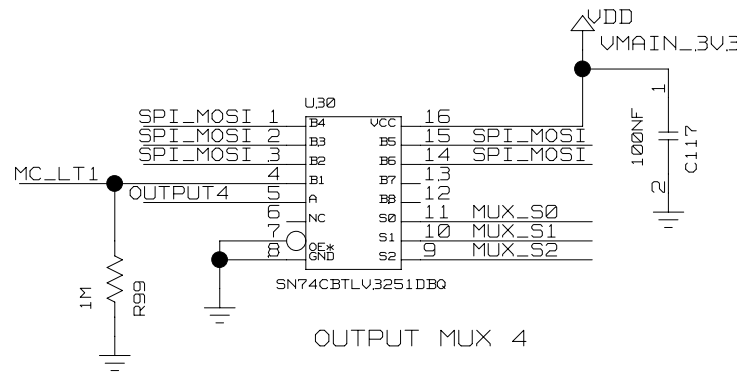
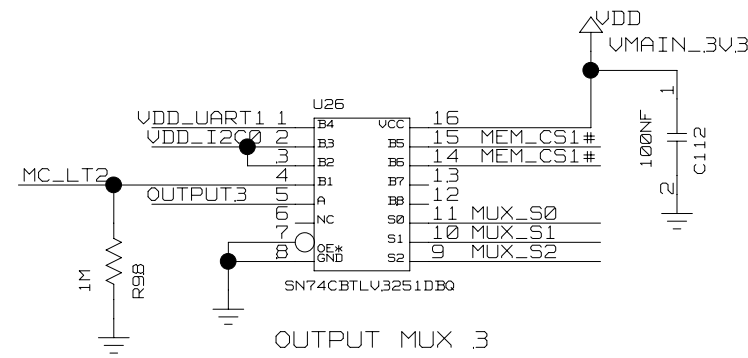
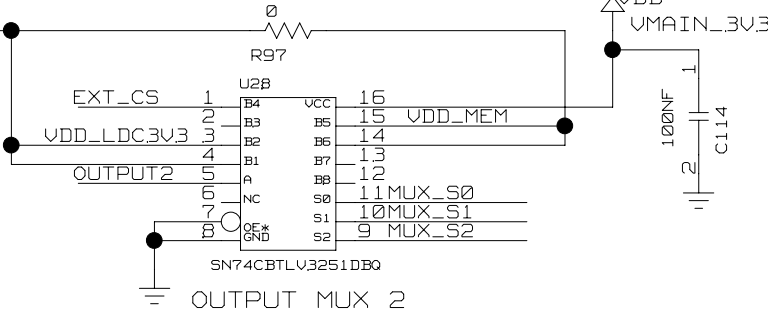
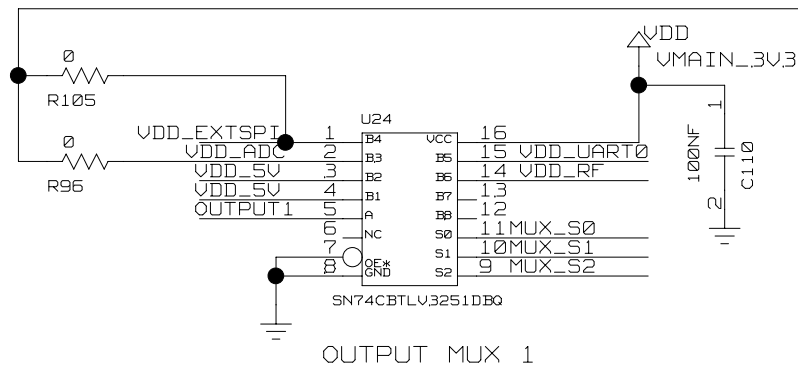


<b>ASTUS</b> S.A. ADVANCED SYSTEM TECHNOLOGIES & USER SERVICES			
PROJECT:	STRUCTURAL HEALTH MONITORING PLATFORM	REV. : 2.0	SIZE: B
TITLE:	CONNECTORS	DATE:	7/8/2015
DRAWN BY:	A. A.	PAGE:	OF 5/7



<b>ASTUS</b> s.a. ADVANCED SYSTEM TECHNOLOGIES & USER SERVICES			
PROJECT:	STRUCTURAL HEALTH MONITORING PLATFORM	REV.: 2.0	SIZE: B
TITLE:	MCU, FLASH, JTAG	DATE: 7/8/2015	
DRAWN BY:	A. A.	PAGE: OF 6/7	

CHANGES FOR REVISION 2.0 ON 2/3/2016  
 1. THREE 1MOHM PULL-DOWN RESISTORS ADDED TO U26, U29, U30.  
 2. VDD\_LDC3V3, VDD\_MEM, VDD\_ADC & VDD\_EXTSPI SHORTED THROUGH 00HM RESISTOR.



STAGE1--> COILS  
 STAGE2--> LDC/I2C1  
 STAGE3--> ADC/I2C0/SG  
 STAGE4--> EXTSPI/UART1  
 STAGE5--> UART0/MEMORY  
 STAGE6--> RF/MEMORY  
 STAGE7--> AUX1  
 STAGE8--> AUX0

<b>ASTUS</b> s.a. ADVANCED SYSTEM TECHNOLOGIES & USER SERVICES			
PROJECT:	STRUCTURAL HEALTH MONITORING PLATFORM	REV.: 2.0	SIZE: B
TITLE:	MCU MULTIPLEXERS	DATE:	7/8/2015
DRAWN BY:	A. A.	PAGE:	OF 7/7