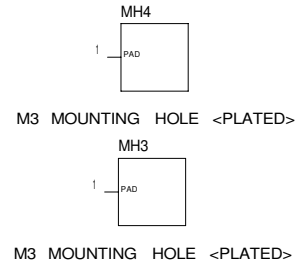
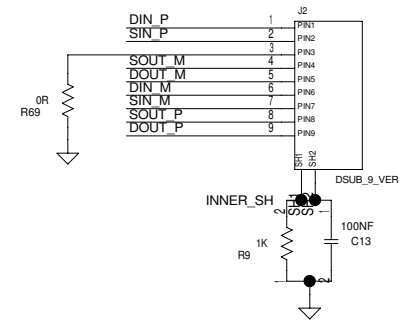
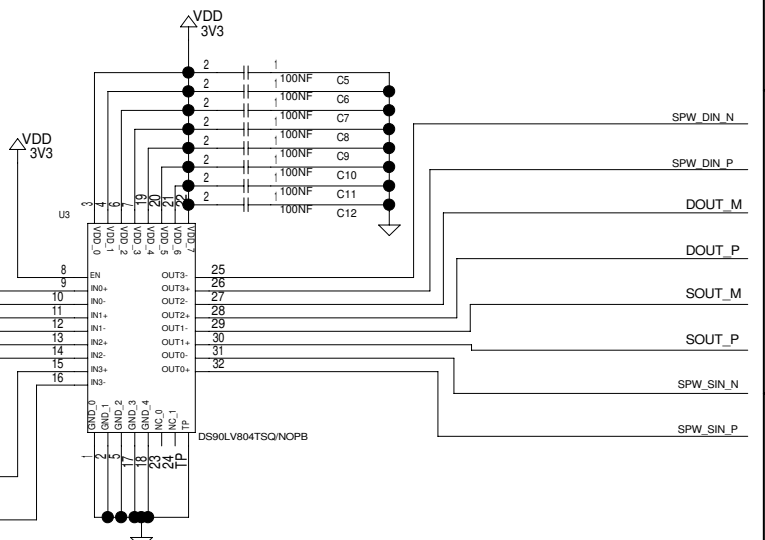
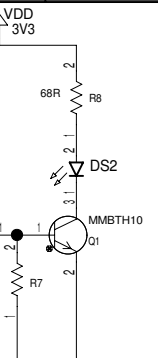
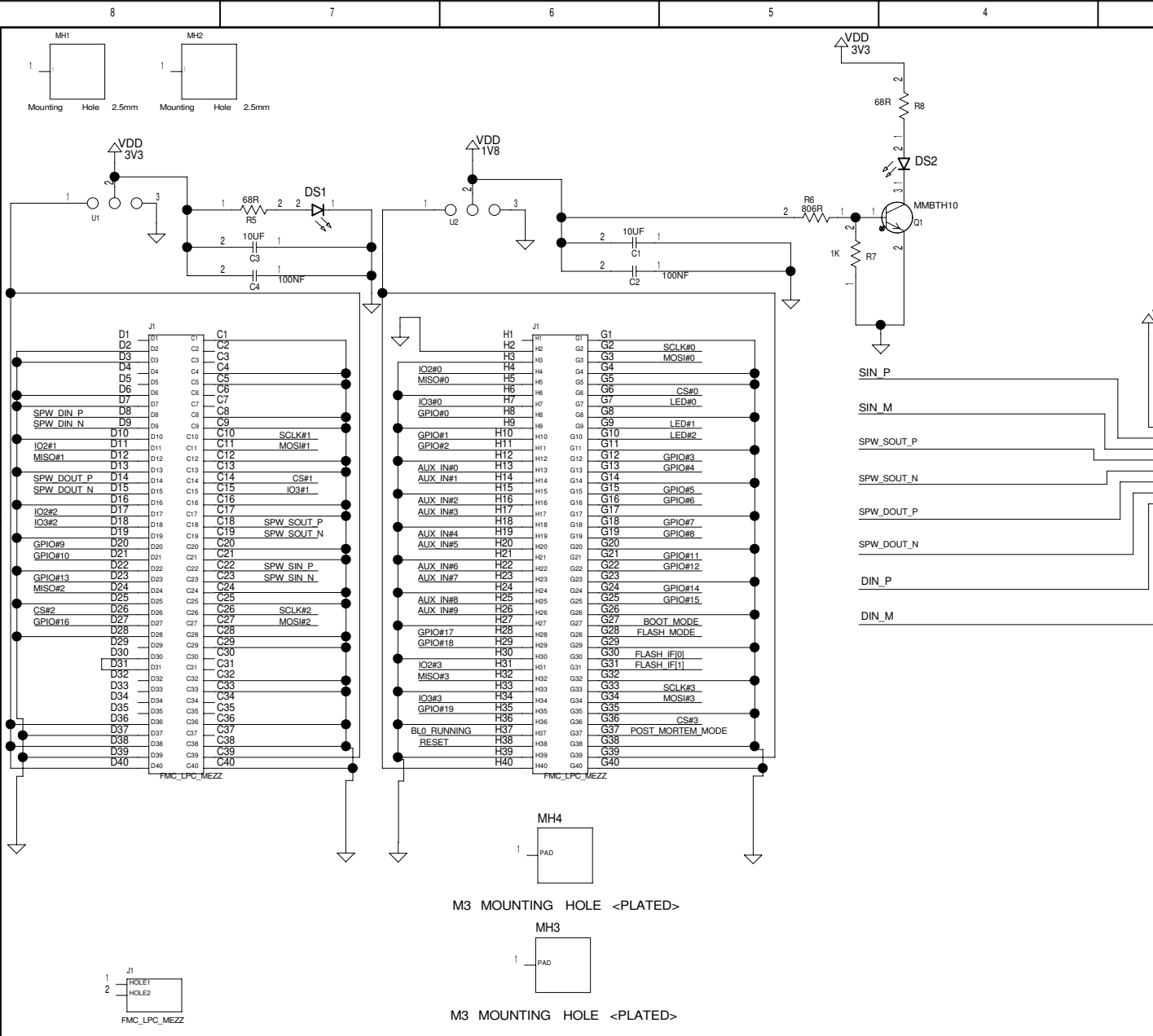
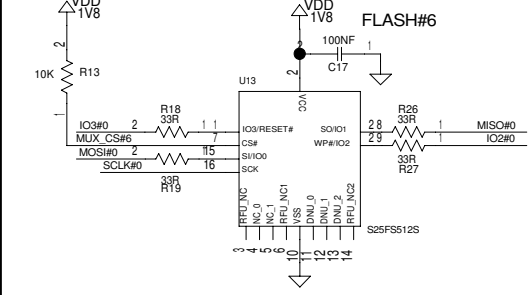
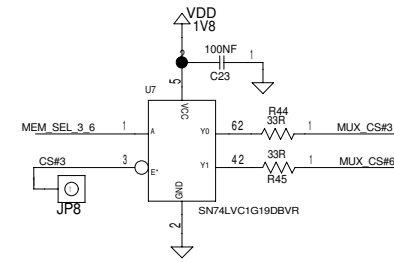
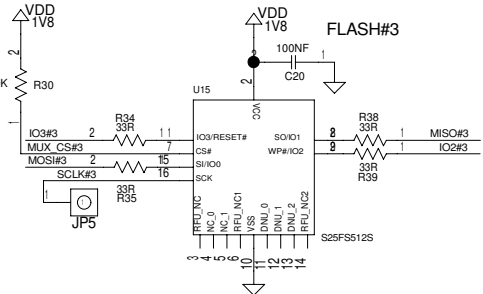
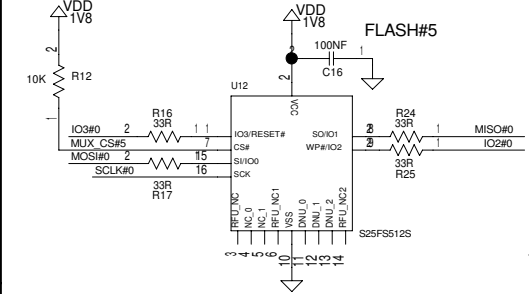
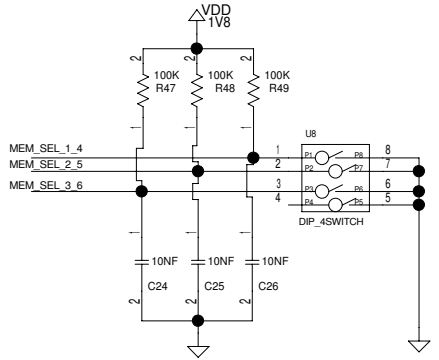
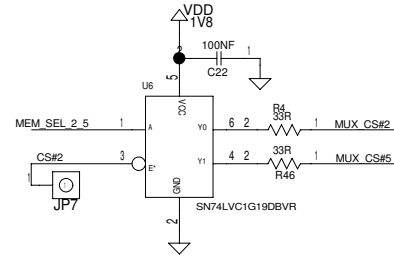
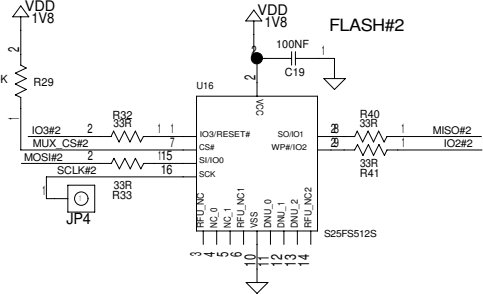
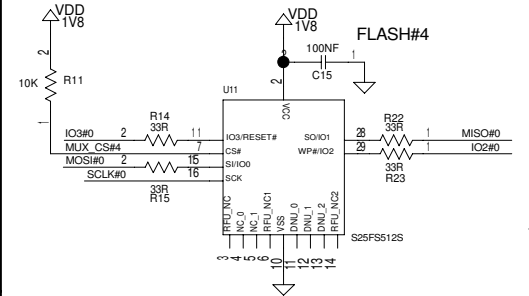
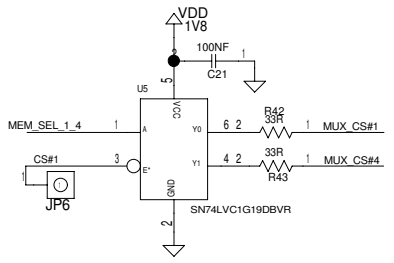
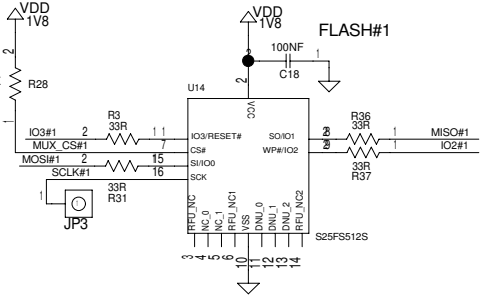
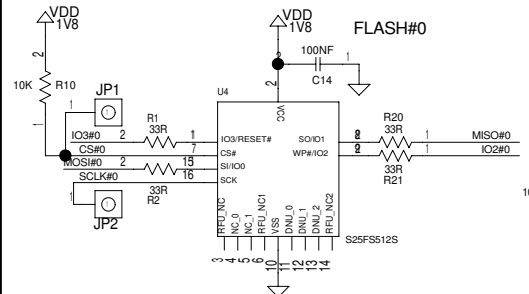


REVISIONS				
ZONE	LTR	DESCRIPTION	DATE	APPR.



THIS DRAWING CONTAINS INFORMATION WHICH IS PROPRIETARY AND CONFIDENTIAL TO ISD S.A. DISSEMINATION BY ANY MEANS WITHOUT PRIOR WRITTEN PERMISSION FROM ISD S.A. IS STRICTLY PROHIBITED.		ISD S.A. INTEGRATED SYSTEMS DEVELOPMENT	DESIGN: DAHLIA MAIN BOARD	TITLE: FMC AND SPACEWIRE	DATE: 11/04/19
REV.: 1.0	SIZE: B		DRAWN BY: P.VAGIANNIS	CHECKED BY: K.MAKRIS, G.KATELOUZOS	PAGE: 1 OF 3

REVISIONS				
ZONE	LTR	DESCRIPTION	DATE	APPR.



THIS DRAWING CONTAINS INFORMATION WHICH IS PROPRIETARY AND CONFIDENTIAL TO ISD S.A. DISSEMINATION BY ANY MEANS WITHOUT PRIOR WRITTEN PERMISSION FROM ISD S.A. IS STRICTLY PROHIBITED.

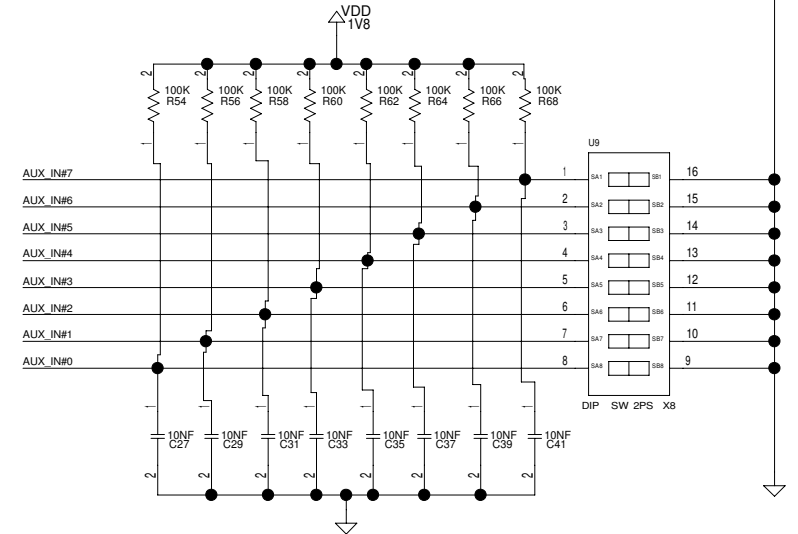
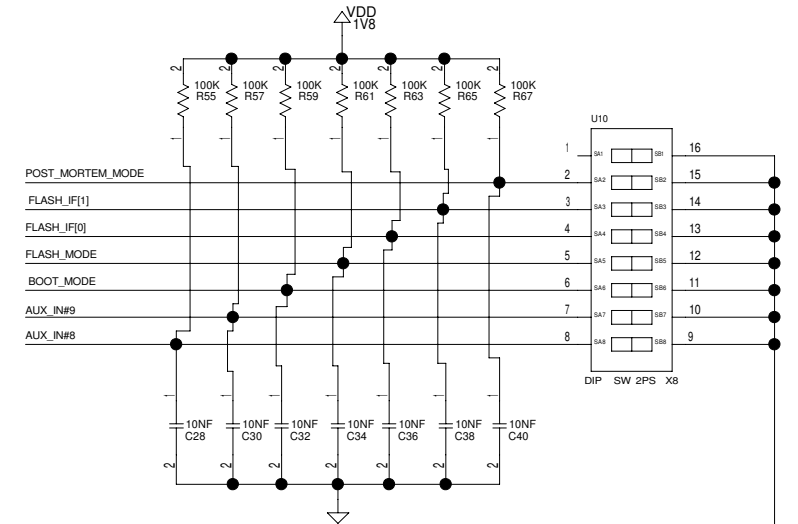
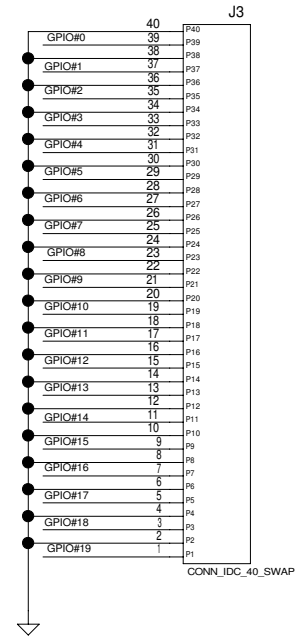
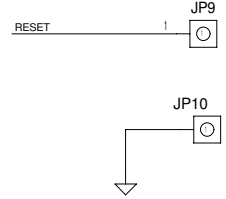
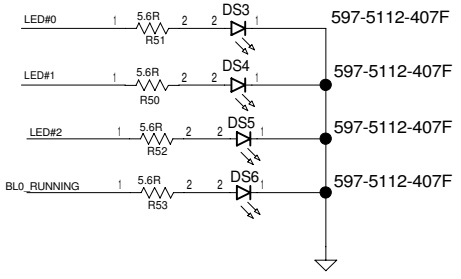
ISD S.A.
INTEGRATED SYSTEMS DEVELOPMENT

DESIGN: DAHLIA MAIN BOARD
REV.: 1.0
SIZE: B

TITLE: MEMORIES AND DEMUXS
DRAWN BY: P.VAGIANNIS
CHECKED BY: K.MAKRIS, G.KATELOUZOS

DATE: 11/04/19
PAGE: 2 OF 3

REVISIONS				
ZONE	LTR	DESCRIPTION	DATE	APPR.



THIS DRAWING CONTAINS INFORMATION WHICH IS PROPRIETARY AND CONFIDENTIAL TO ISD S.A. DISSEMINATION BY ANY MEANS WITHOUT PRIOR WRITTEN PERMISSION FROM ISD S.A. IS STRICTLY PROHIBITED.

ISD S.A.
INTEGRATED SYSTEMS DEVELOPMENT

DESIGN: DAHLIA MAIN BOARD
REV.: 1.0

TITLE: SWITCHES AND LEDS
DRAWN BY: P.VAGIANNIS
CHECKED BY: K.MAKRIS, G.KATELOUZOS

DATE: 11/04/19
PAGE: 3 OF 3