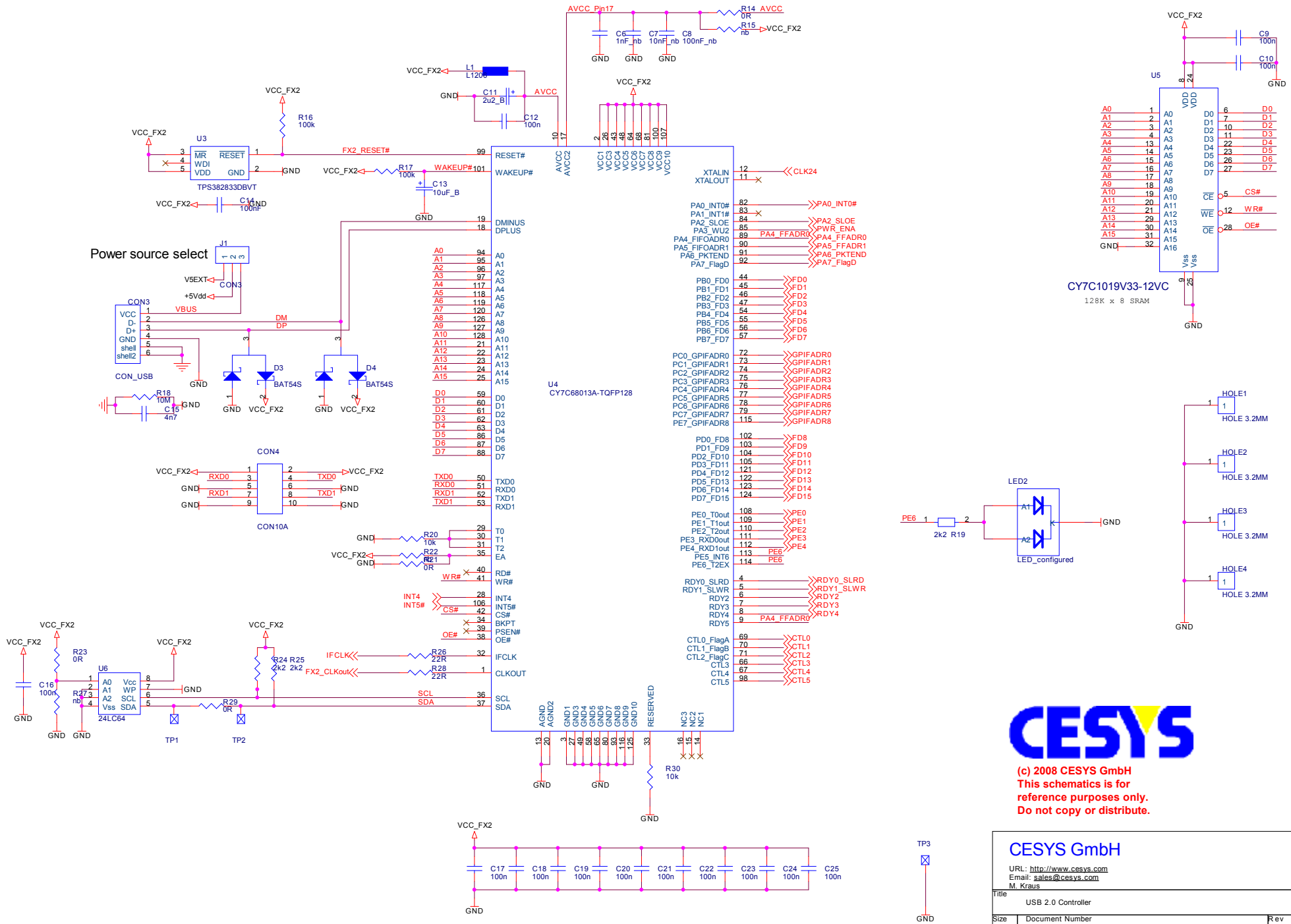
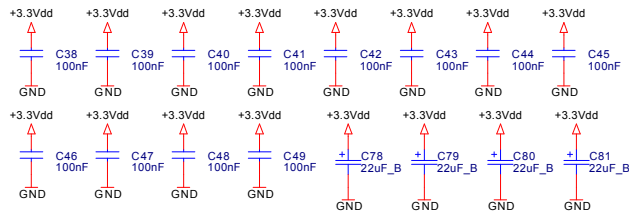
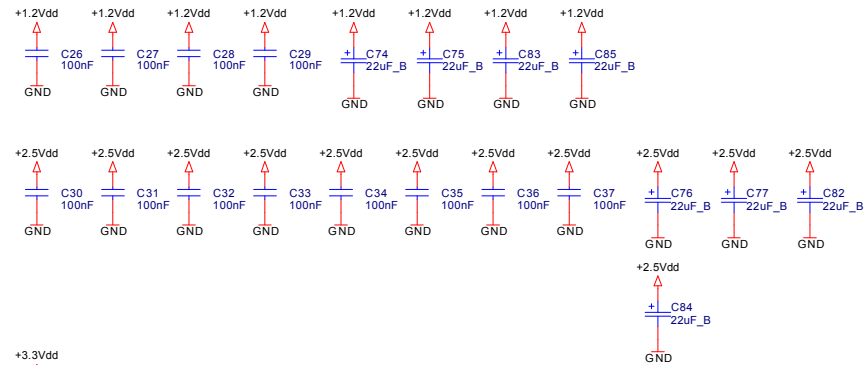
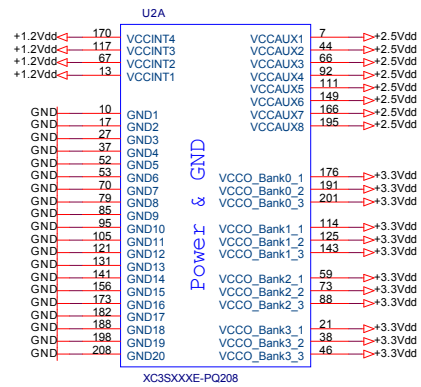


(c) 2008 CESYS GmbH
 This schematic is for reference purposes only.
 Do not copy or distribute.

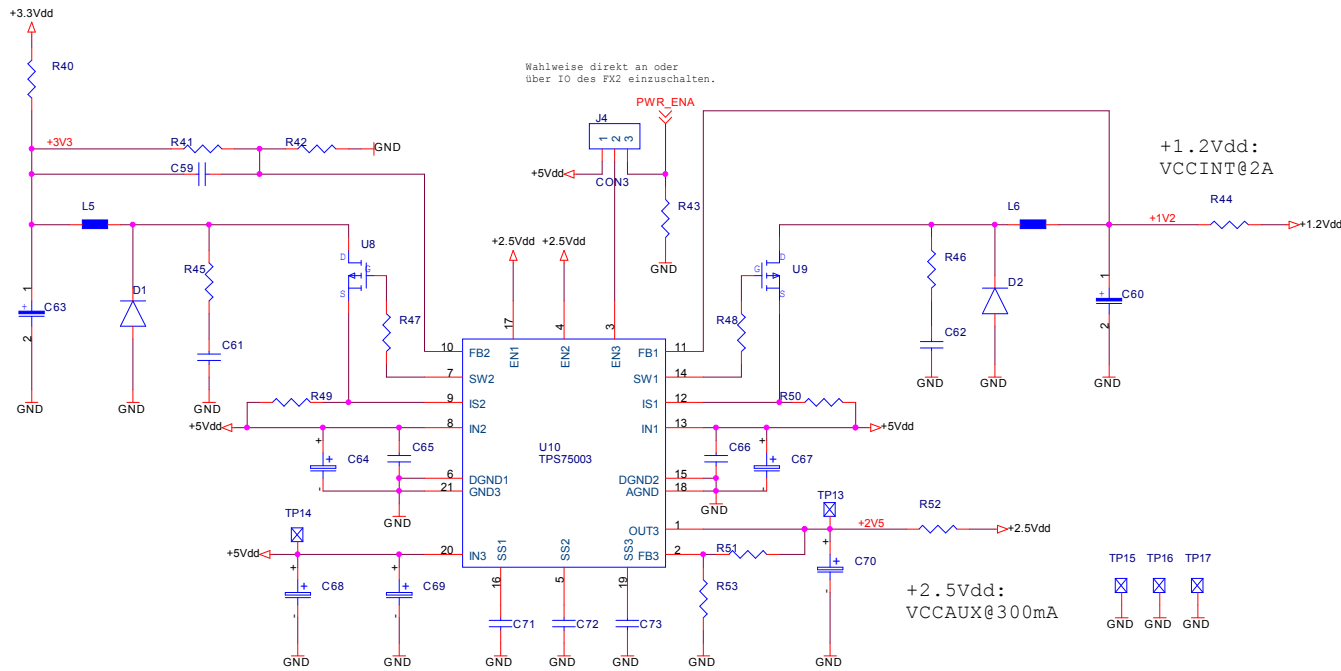
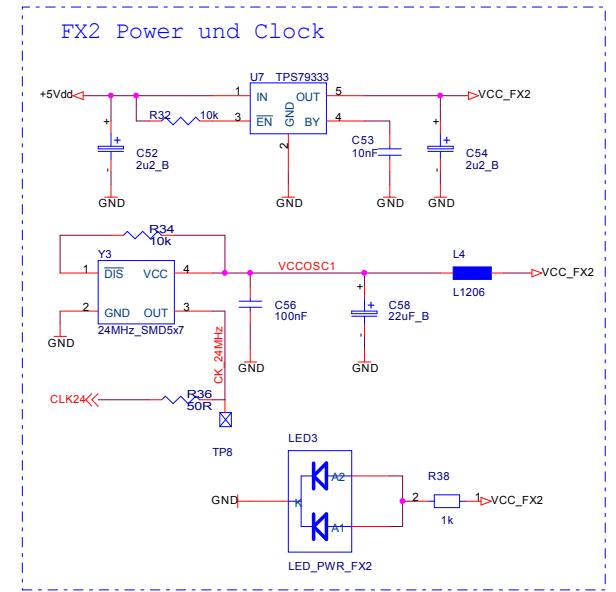
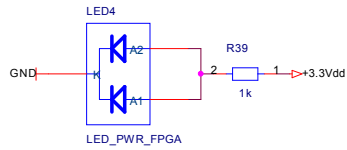
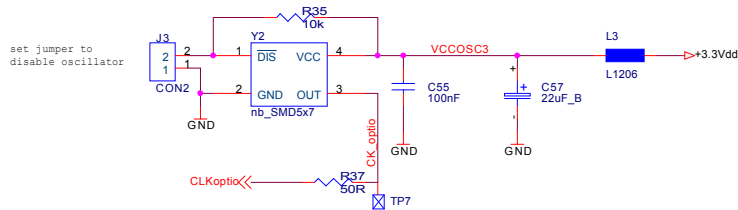
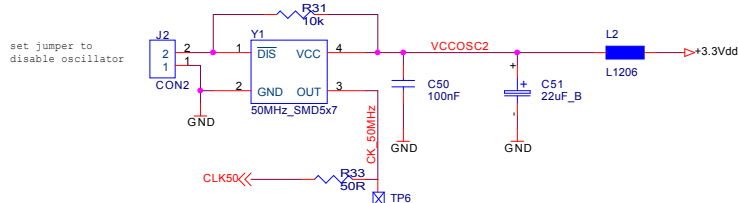
CESYS GmbH		
www.cesys.com Email: sales@cesys.com Herzogenaurach, Germany		
Title: SPARTAN-3E FPGA and I/O		
Size: A3	Document Number: (USB3FPGA)	Rev: 1.1
Date: Tuesday, April 08, 2008	Sheet: 1	of 4





(c) 2008 CESYS GmbH
 This schematics is for
 reference purposes only.
 Do not copy or distribute.

Title		
Power FPGA		
Size	Document Number	Rev
A3	(USB3FPGA)	1.1
Date:	Tuesday, April 08, 2008	Sheet 3 of 4



Some confidential information removed here ...



(c) 2008 CESYS GmbH
 This schematics is for reference purposes only.
 Do not copy or distribute.

CESYS GmbH
www.cesys.com
 Email: sales@cesys.com
 Herzogenaurach, Germany

Title			Power & Clock
Size	Document Number	Rev	
A3	(USB3FPGA)	1.1	
Date:	Tuesday, April 08, 2008	Sheet	4 of 4