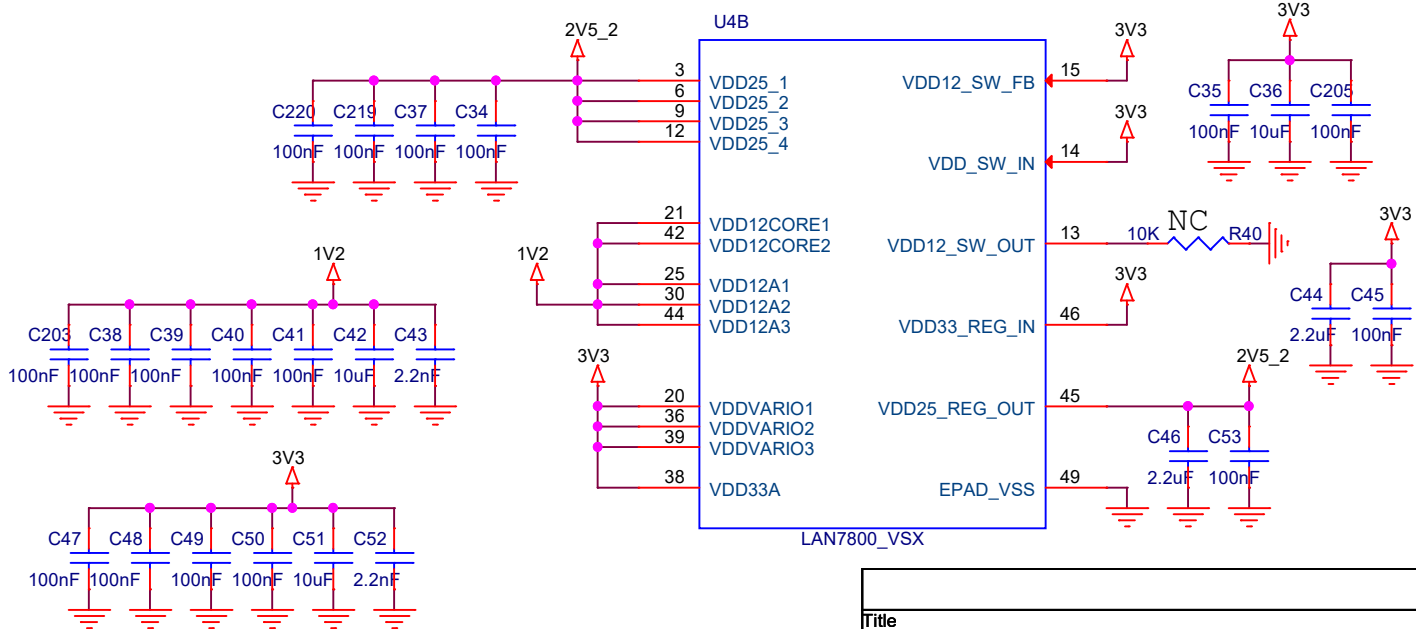
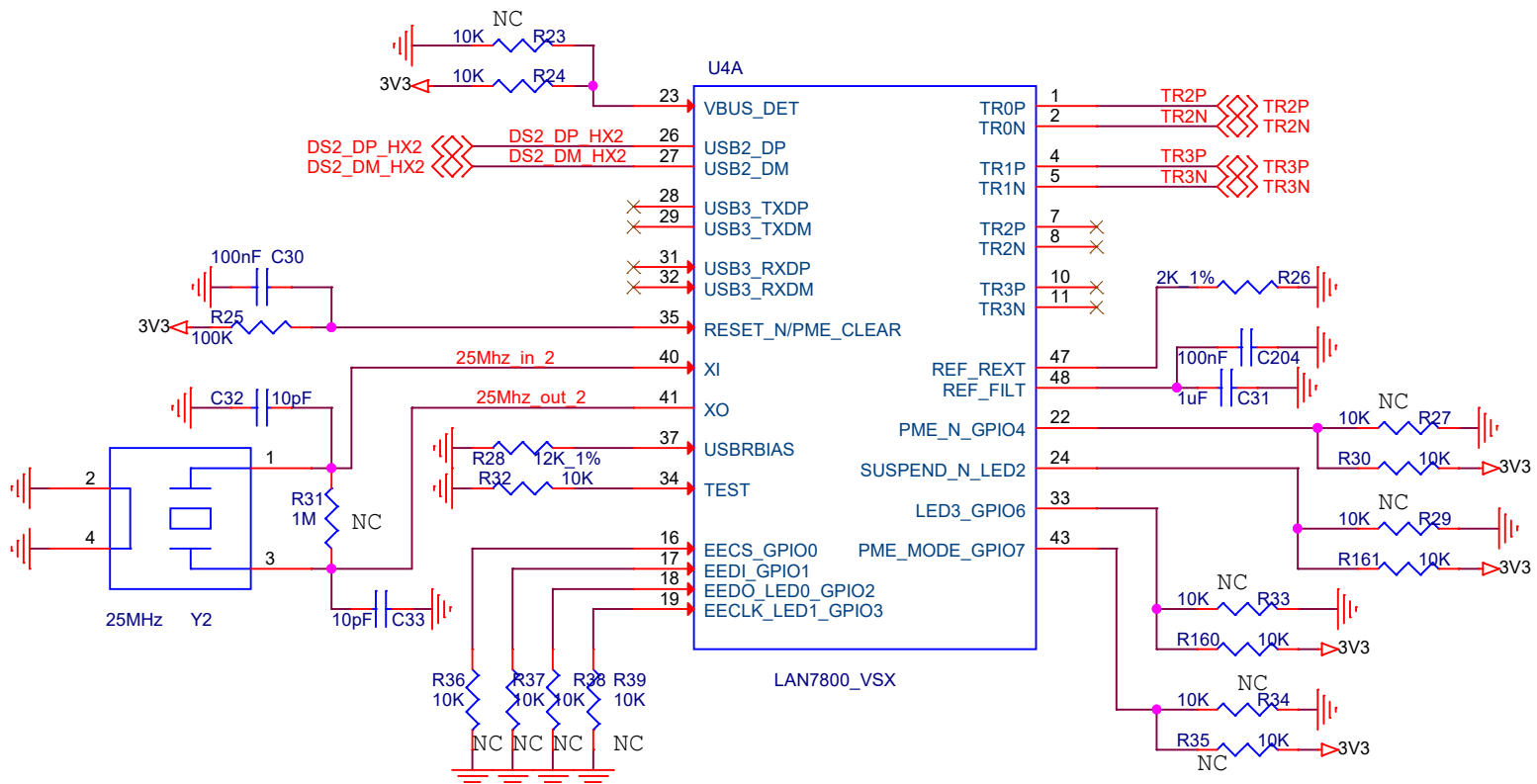
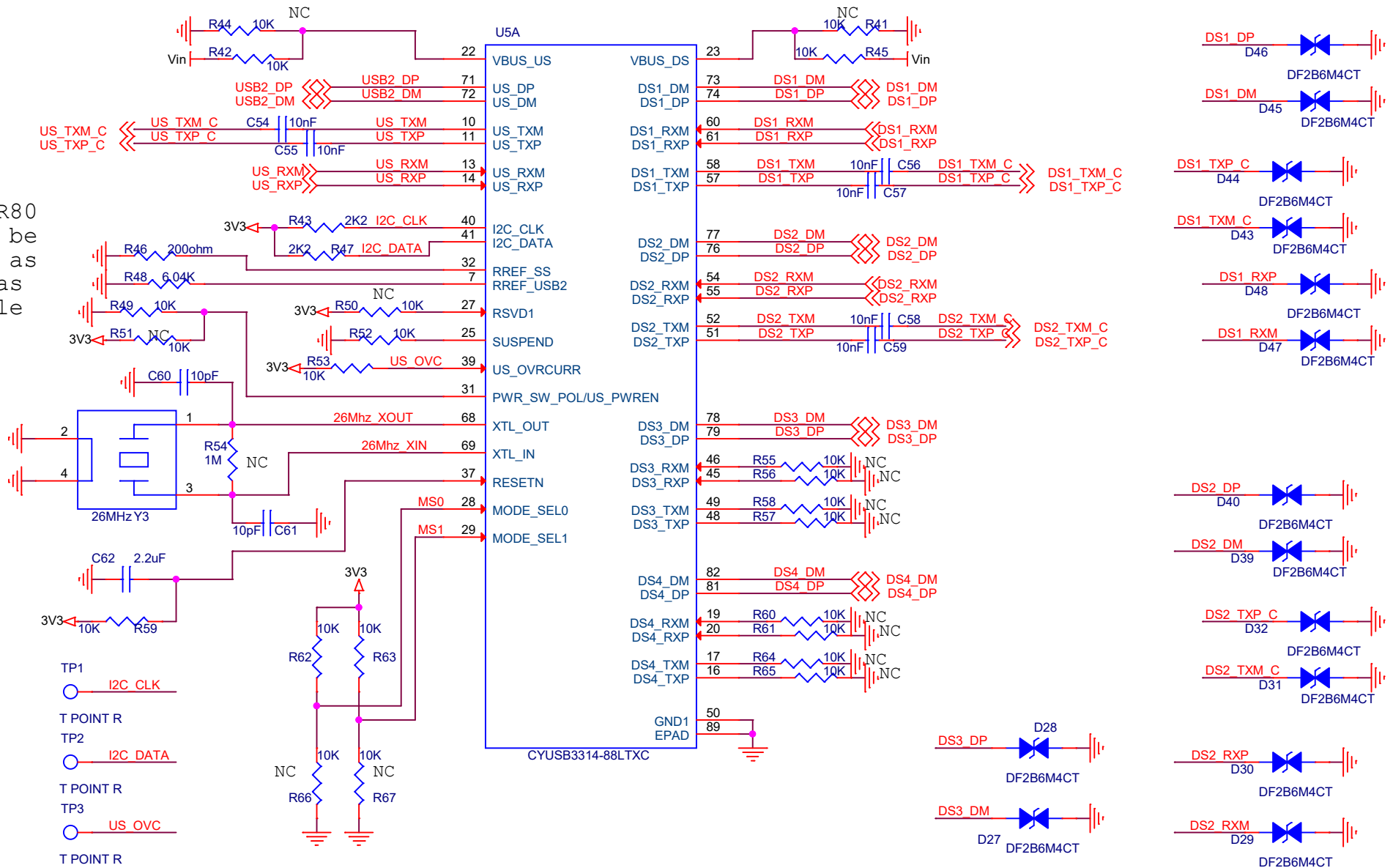


Title			
ETHERNET_BRIDGE			
Size	Document Number	Rev	
Custom	<Doc>	1.0	
Date:	Tuesday, August 06, 2019	Sheet	1 of 9

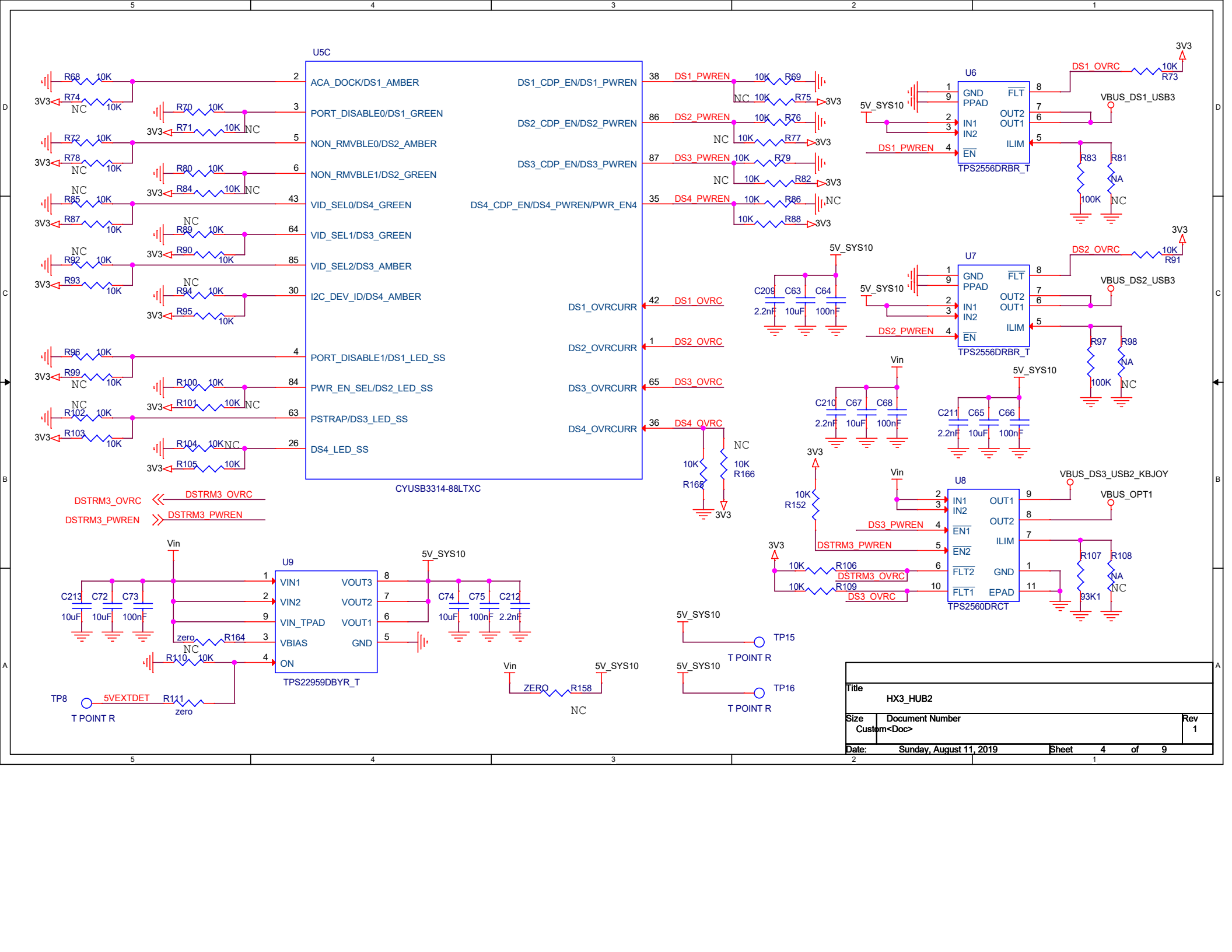


Title		
ETHERNET_BRIDGE2		
Size	Document Number	Rev
Custom<Doc>		1.0
Date:	Tuesday, August 06, 2019	Sheet 2 of 9

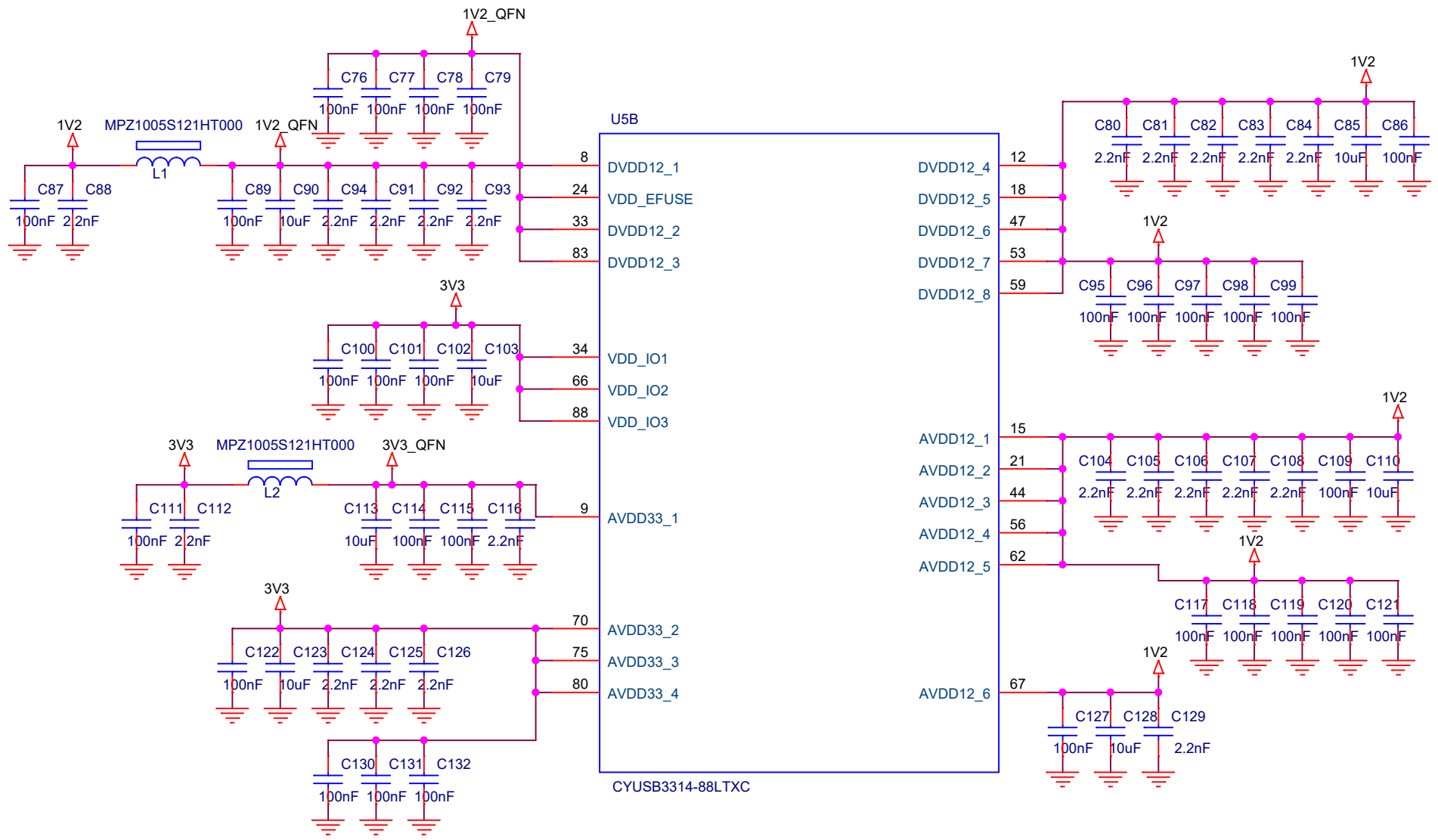
R81 & R80 should be placed as close as possible to the HUB3



Title		
HX3_HUB1		
Size	Document Number	Rev
CustomTP_SMD_1MM		1
Date:	Tuesday, August 06, 2019	Sheet 3 of 9

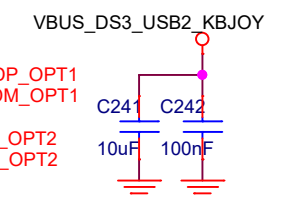
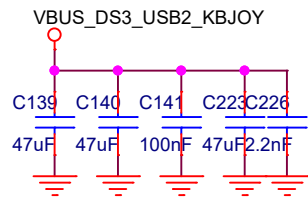
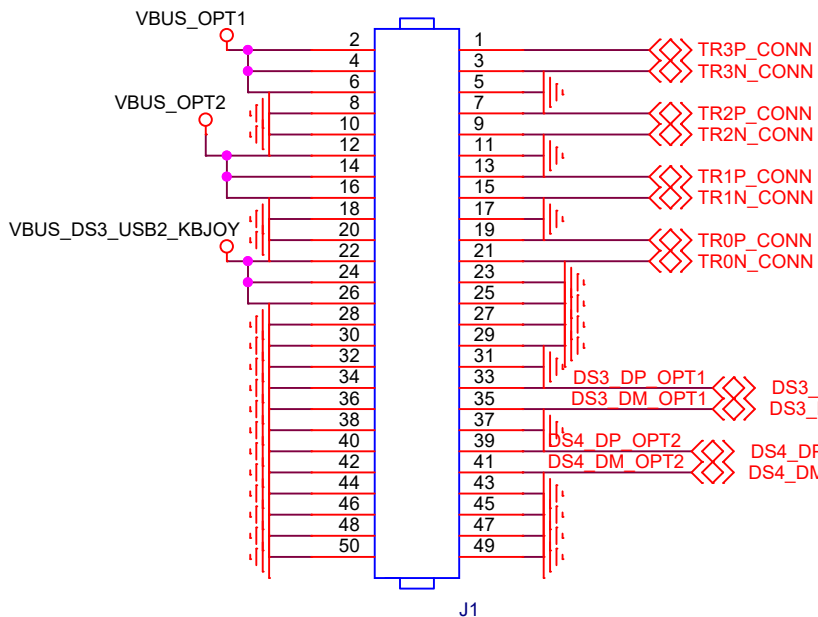


Title		
HX3_HUB2		
Size	Document Number	Rev
Custom	<Doc>	1
Date:	Sunday, August 11, 2019	Sheet 4 of 9

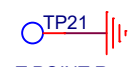
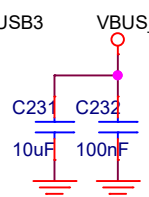
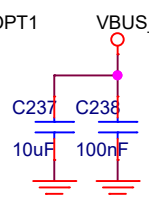
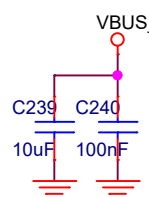
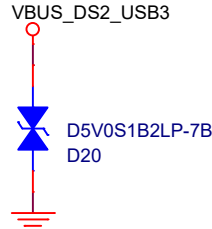
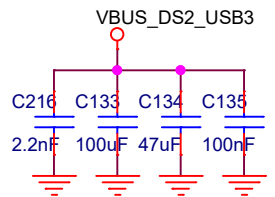
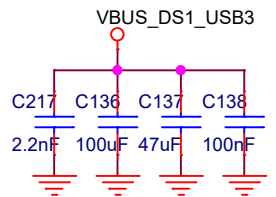
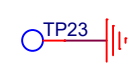
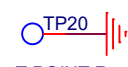
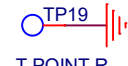
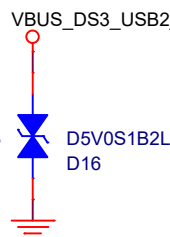
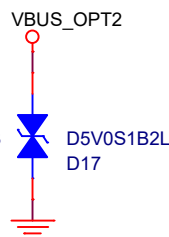
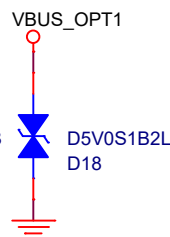
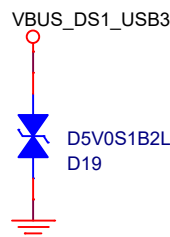
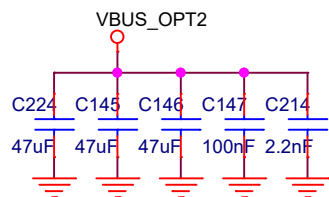
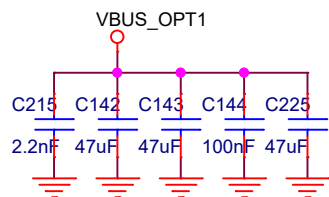
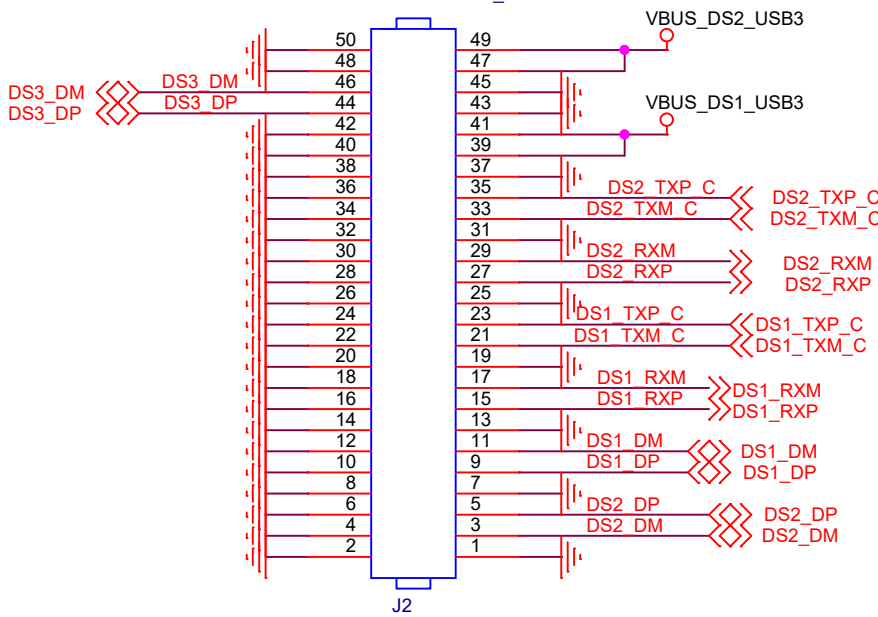


Title		
HX3_HUB3		
Size	Document Number	Rev
Custom	<Doc>	1
Date:	Tuesday, August 06, 2019	Sheet 5 of 9

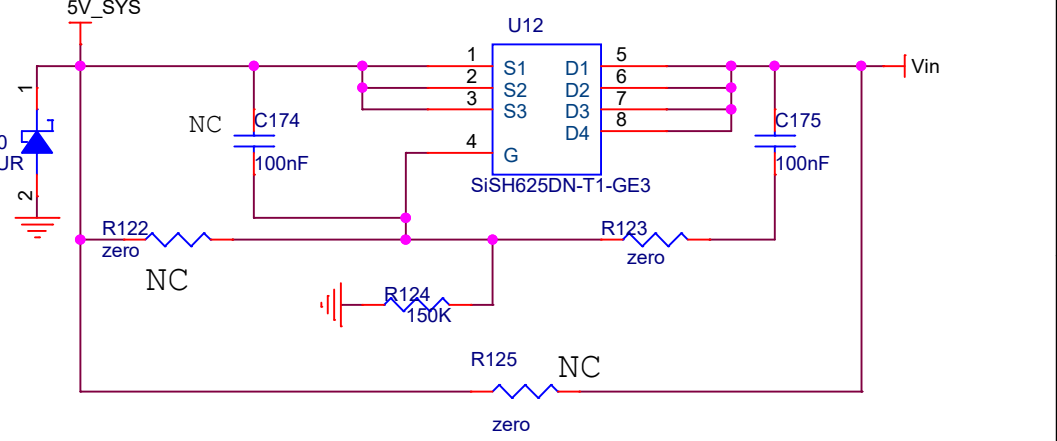
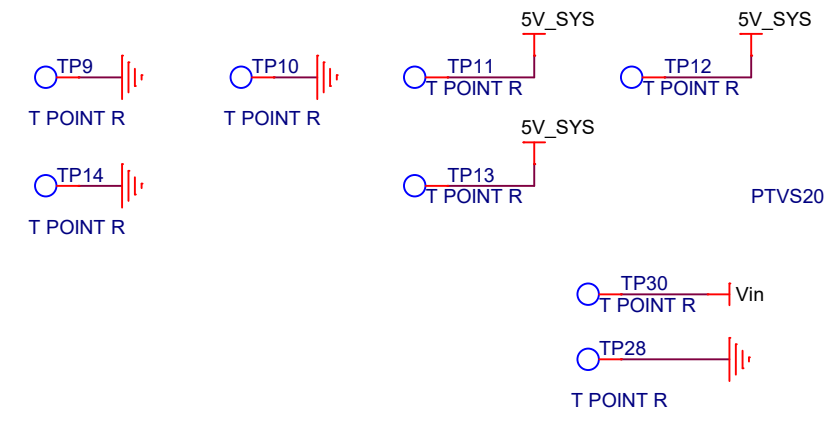
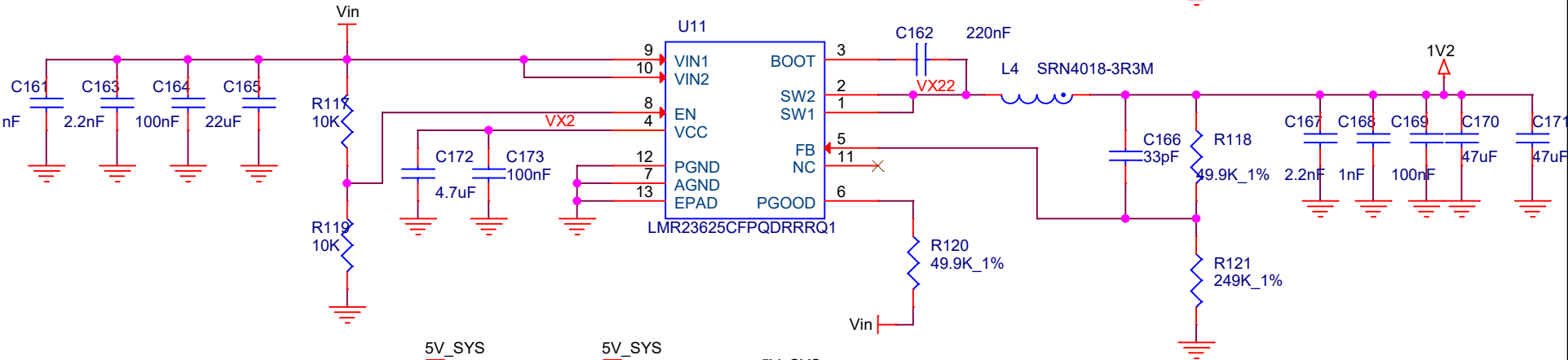
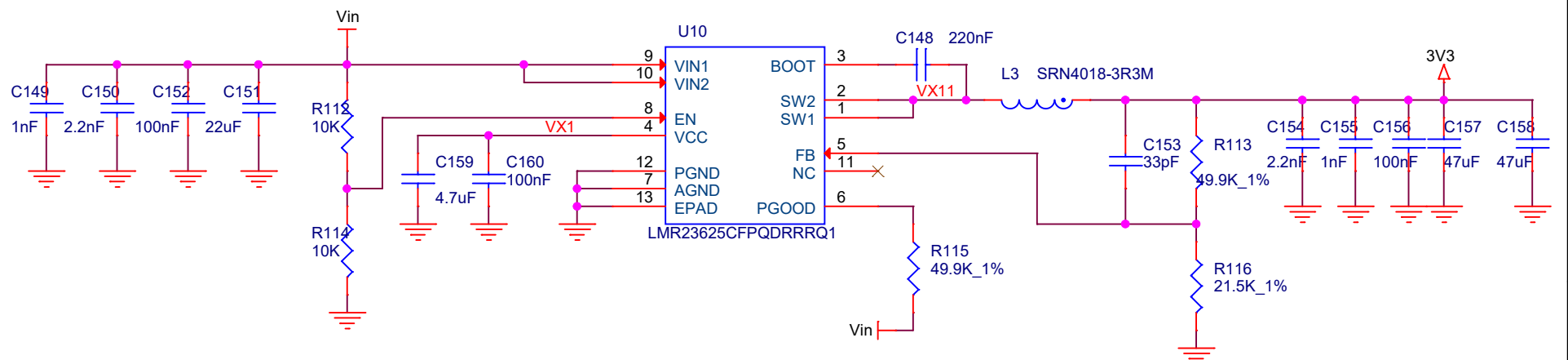
HEADER 25x2/SM_5015715007



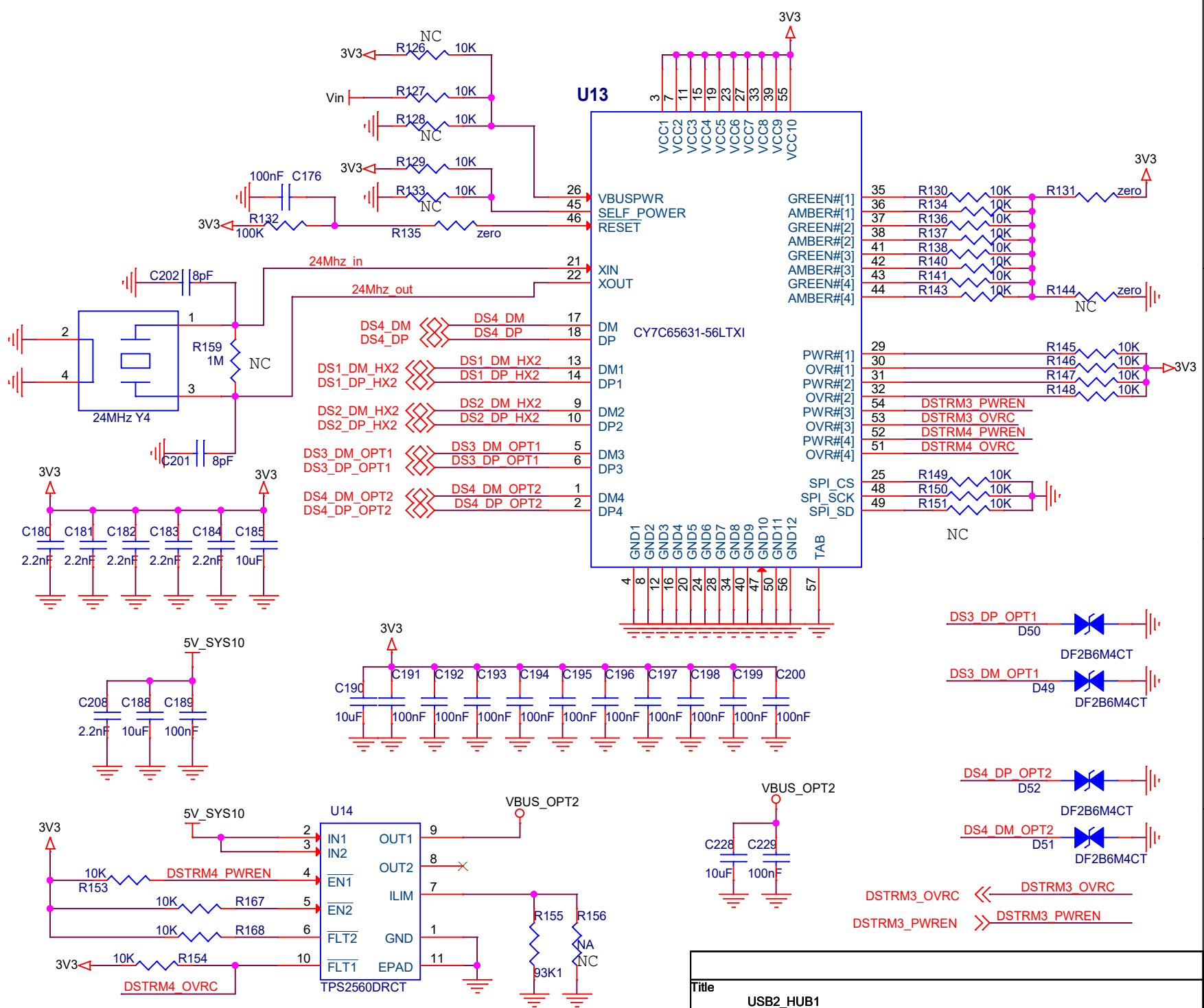
HEADER 25x2/SM_5015715007



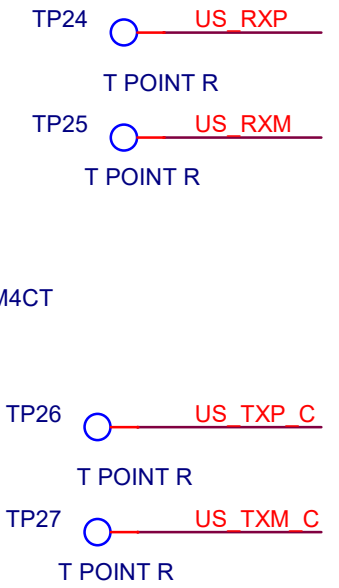
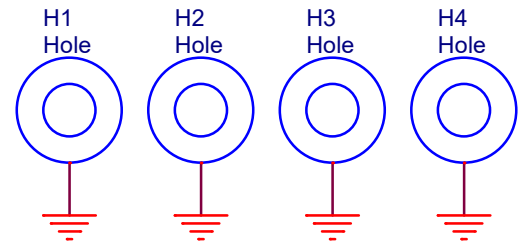
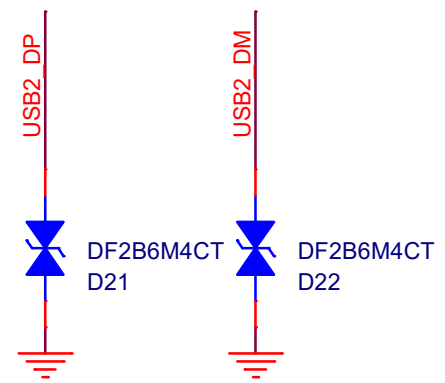
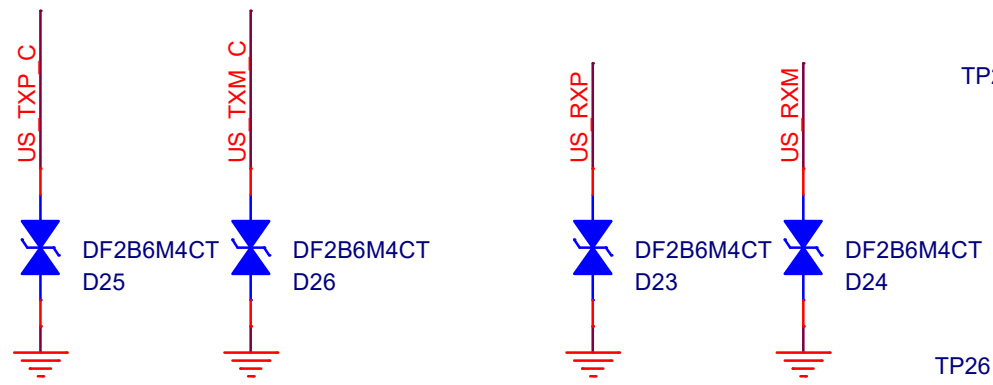
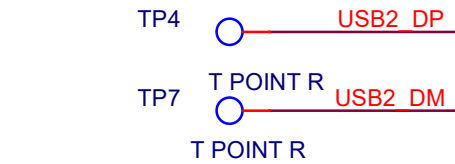
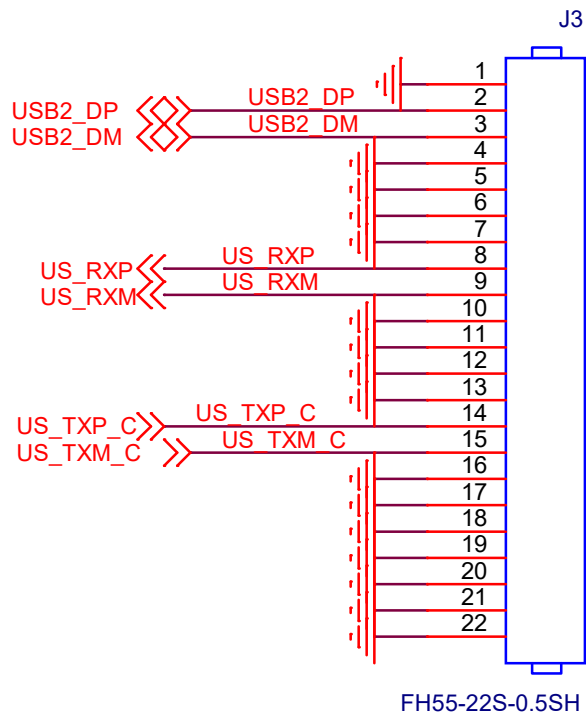
Title		
MOLEX_CONN		
Size	Document Number	Rev
Custom<Doc>		1
Date:	Wednesday, August 14, 2019	Sheet 6 of 9



Title		
POWER		
Size	Document Number	Rev
Custom<Doc>		1
Date:	Wednesday, August 14, 2019	Sheet 7 of 9



Title		
USB2_HUB1		
Size	Document Number	Rev
Custom<Doc>		1.0
Date:	Sunday, August 11, 2019	Sheet 8 of 9



Title		
ZIF_CONN		
Size	Document Number	Rev
Custom	<Doc>	1
Date:	Wednesday, August 07, 2019	Sheet 9 of 9