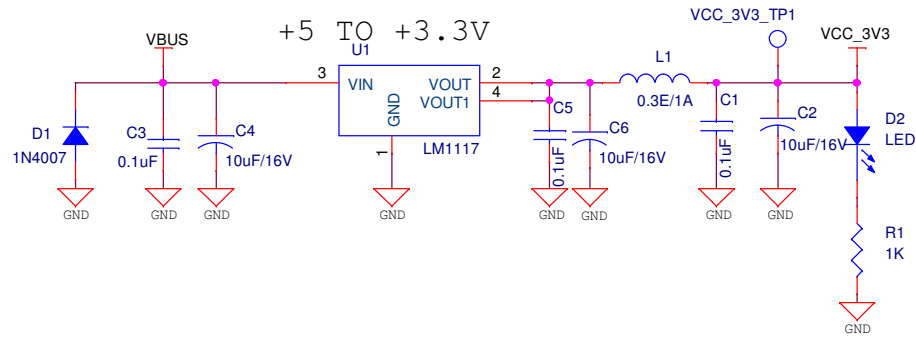
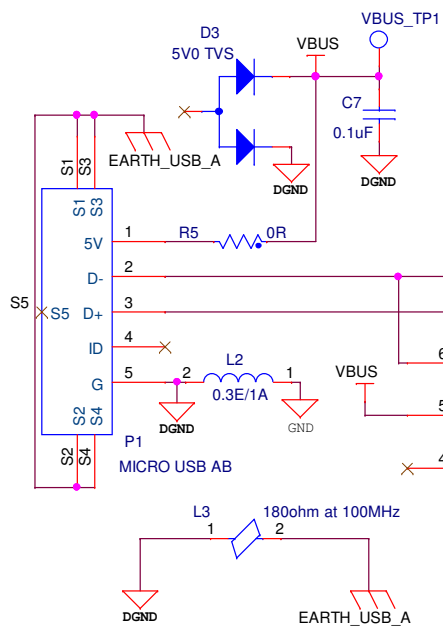


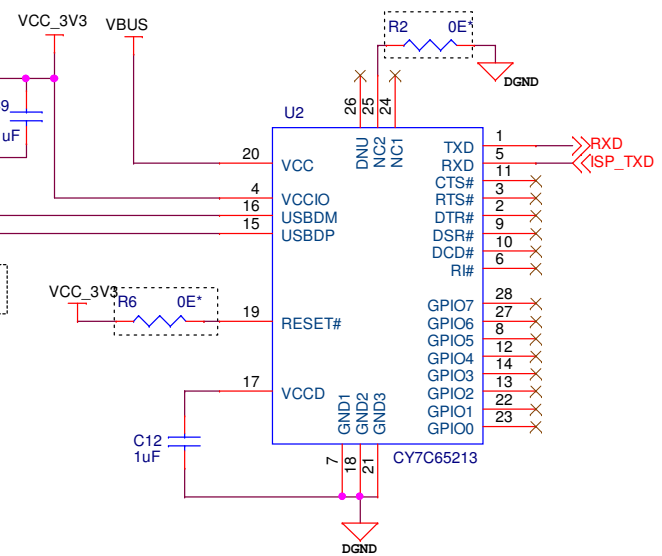
MAIN POWER SUPPLY SECTION



MICRO USB CONNECTOR



USB TO UART BRIDGE



SCHEMATIC NO.	ss Rev V0.05	SIGNALS & SYSTEMS (India) Pvt. Ltd., HO.:15/D-19, SIPCOT IT Park, Siruseri, Chennai, TN- 603 103	SCHEMATIC DRAWING	PREPARED BY	P.SELVAKUMAR	
Sheet	2 of 4		TITLE	LPC812_DEVKIT	CHECKED BY	PK
Size	Custom		Sub - Title	POWER SUPPLY	APPROVED BY	LRR
Date	Thursday, November 19, 2015					