




COVER PAGE

RioSH Technologies Pvt Ltd

Future Innovations


HUTCH EAGLE EYE PROJECT

RioSH Technologies Pvt Ltd		<i>Document Prepared/Responsible</i> Srinivas	<i>Document Approved</i> Vishnu vardhan
CIRCUIT DIAGRAM	<i>Company Logo</i> 	<i>Project Name</i> HUTCH EAGLE EYE PROJECT	<i>Document Name</i> RIO-EXT-3036-HEES-SCH-0001-0V00
		<i>Size</i> B	<i>Date:</i> Saturday, May 18, 2019

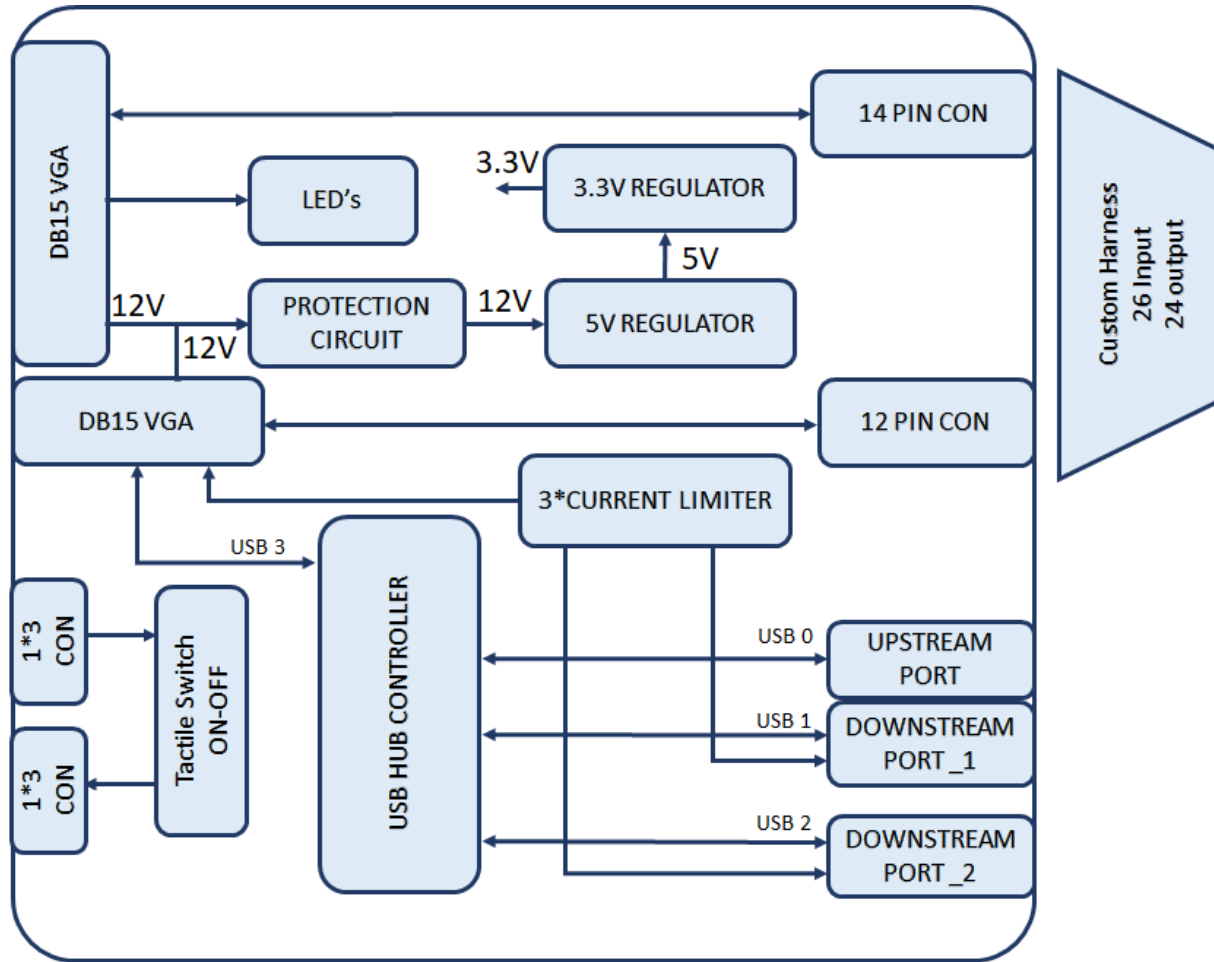
Confidential


CONTENT

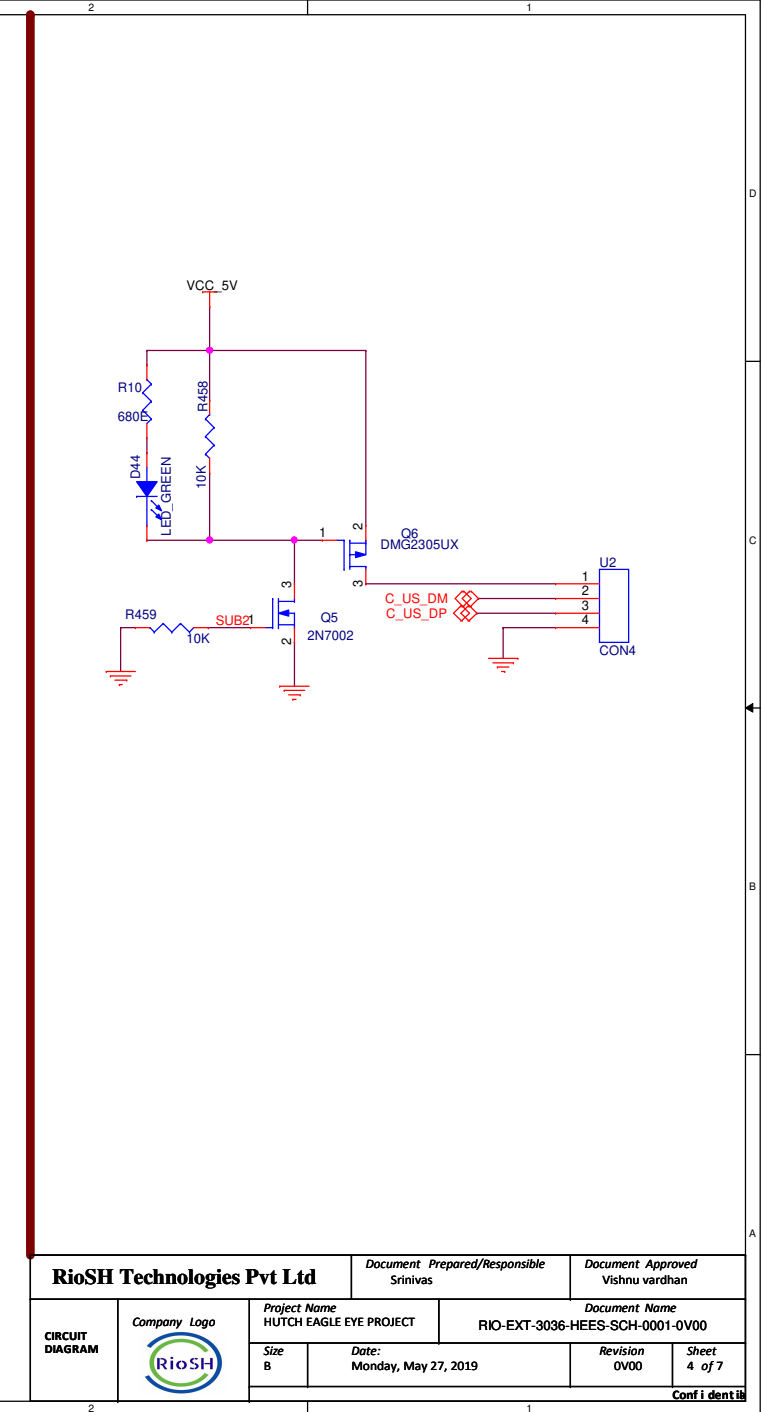
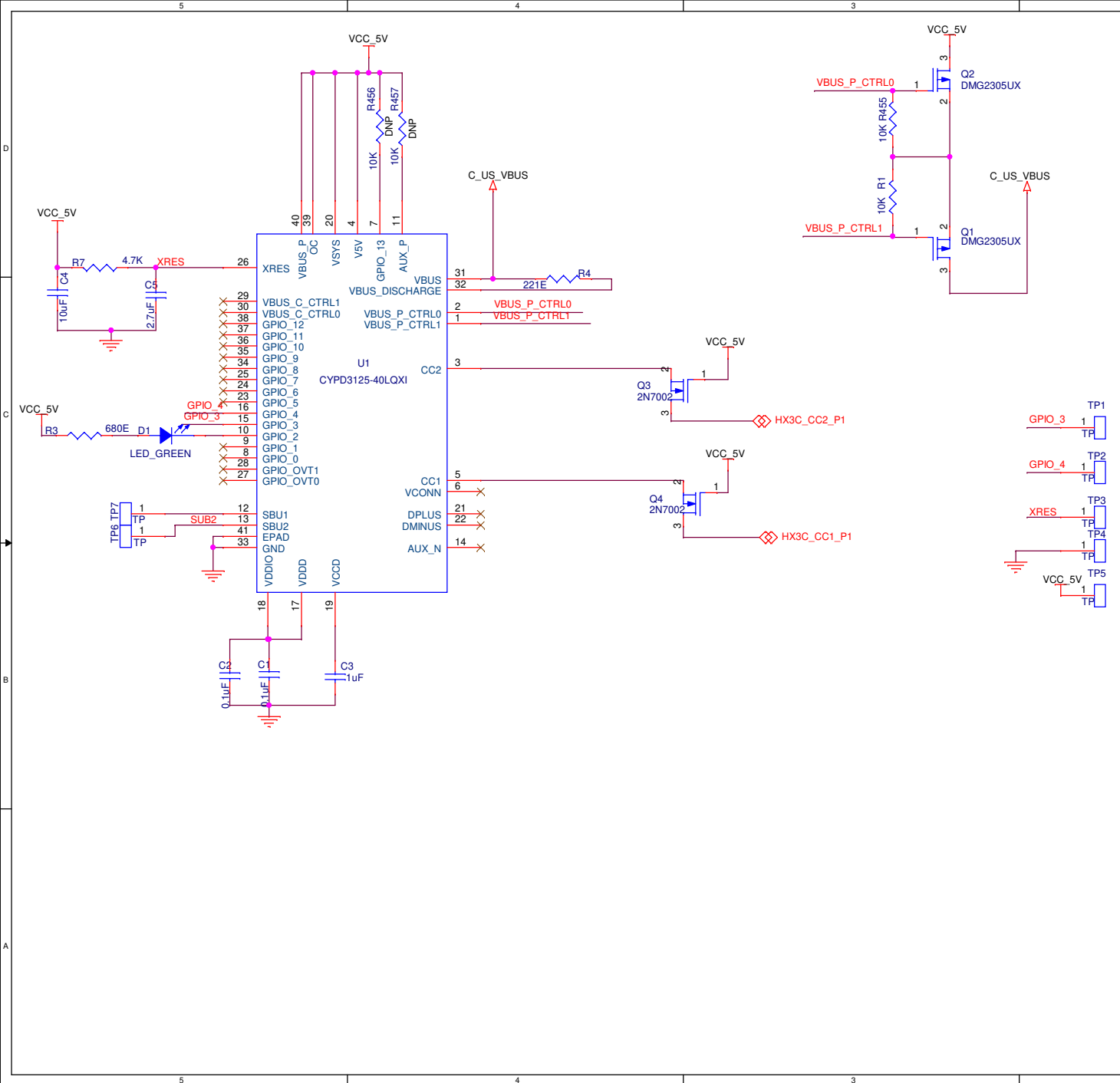
SL NO	CONTENT
1	COVER PAGE
2	CONTENT
3	BLOCK DIAGRAM
4	HX3C P1 to NB
5	CONNECTORS
6	POWER SUPPLY

RioSH Technologies Pvt Ltd		Document Prepared/Responsible Srinivas	Document Approved Vishnu vardhan
CIRCUIT DIAGRAM	<i>Company Logo</i> 	Project Name HUTCH EAGLE EYE PROJECT	Document Name RIO-EXT-3036-HEES-SCH-0001-0V00
		Size B	Date: Wednesday, May 22, 2019

Confidential

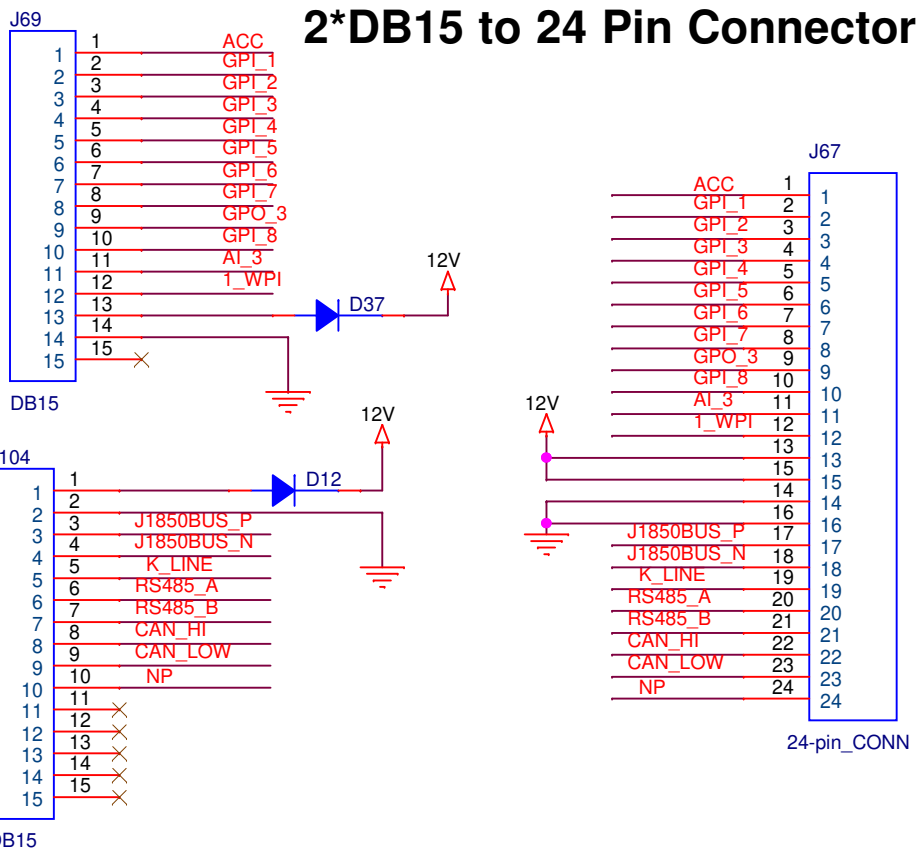


RioSH Technologies Pvt Ltd		Document Prepared/Responsible Srinivas	Document Approved Vishnu vardhan
CIRCUIT DIAGRAM		Project Name HUTCH EAGLE EYE PROJECT	Document Name RIO-EXT-3036-HEES-SCH-0001-0V00
		Size B	Date: Saturday, May 18, 2019
Confidential			

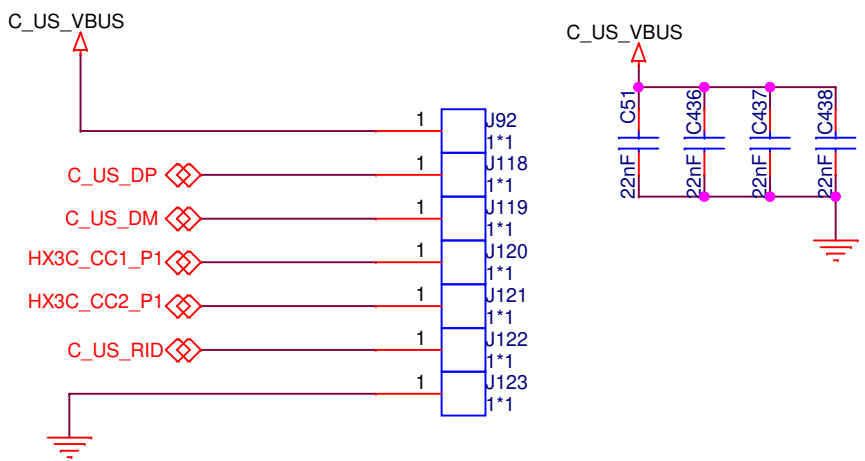


RioSH Technologies Pvt Ltd		Document Prepared/Responsible Srinivas	Document Approved Vishnu vardhan
CIRCUIT DIAGRAM		Project Name HUTCH EAGLE EYE PROJECT	Document Name RIO-EXT-3036-HEES-SCH-0001-0V00
		Size B	Date: Monday, May 27, 2019

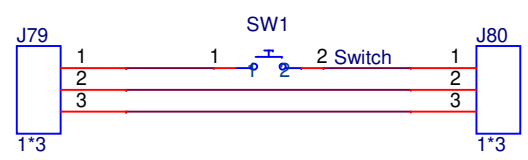
Confidential



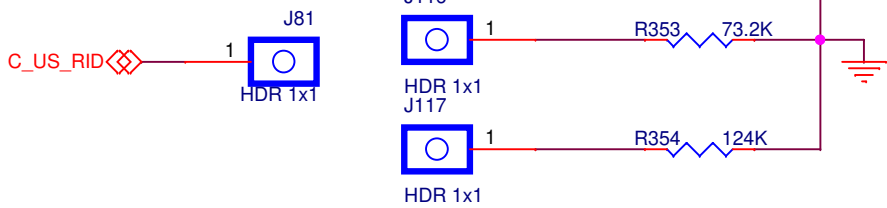
POGO PINS



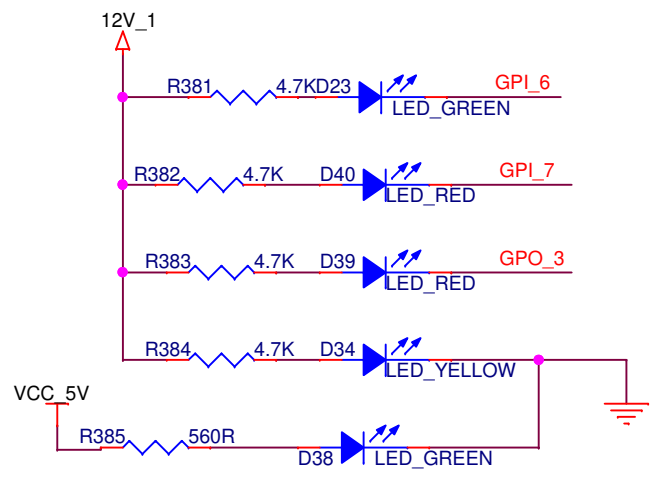
Battery Reset



RID Sel

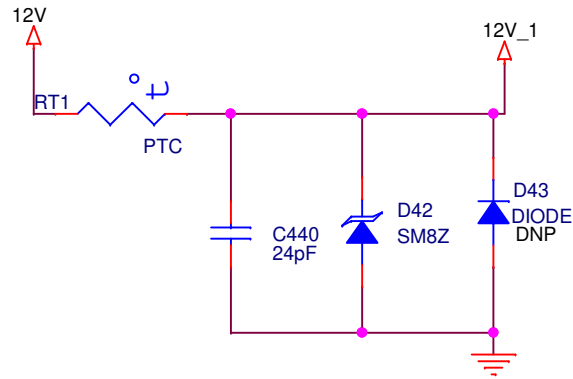


LED'S

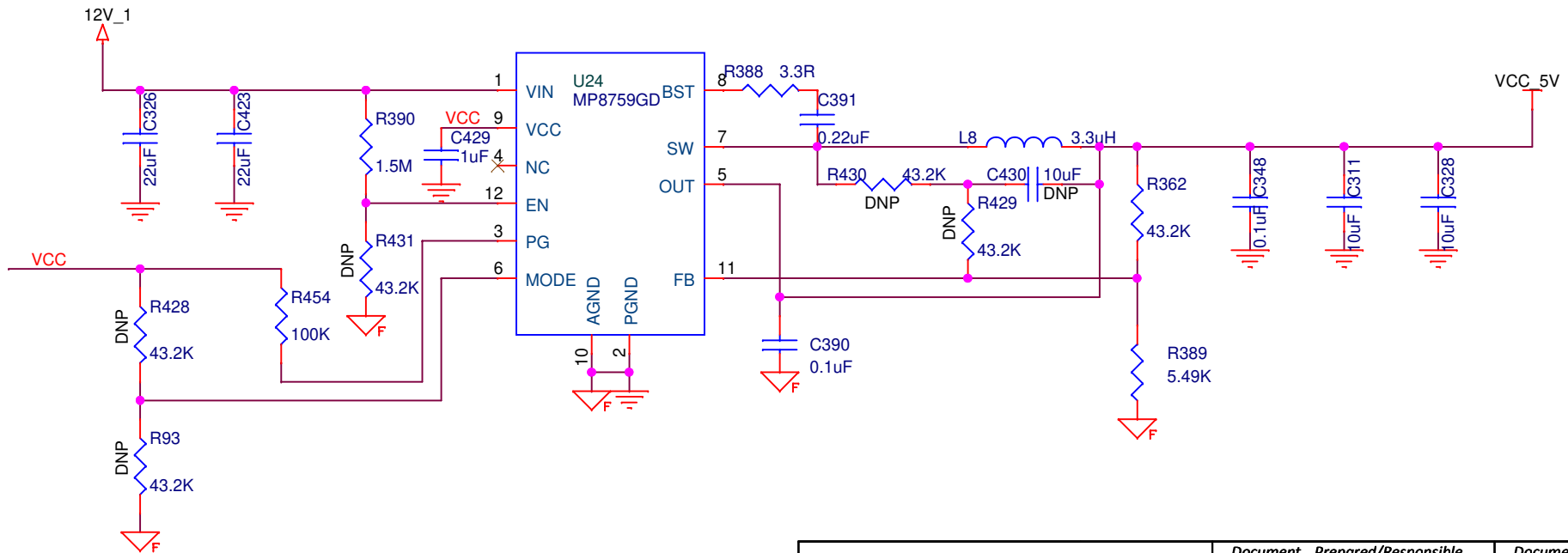


RioSH Technologies Pvt Ltd		Document Prepared/Responsible Srinivas	Document Approved Vishnu vardhan
CIRCUIT DIAGRAM	Company Logo 	Project Name HUTCH EAGLE EYE PROJECT	Document Name RIO-EXT-3036-HEES-SCH-0001-0V00
		Size A	Date: Monday, May 27, 2019
		Revision 0V00	Sheet 7 of 7

Circuit Protection



DC/DC Converter - 5V @ 6A



RioSH Technologies Pvt Ltd		Document Prepared/Responsible Srinivas		Document Approved Vishnu vardhan	
CIRCUIT DIAGRAM	Company Logo 	Project Name HUTCH EAGLE EYE PROJECT		Document Name RIO-EXT-3036-HEES-SCH-0001-0V00	
		Size A	Date: Monday, May 27, 2019	Revision 0V00	Sheet 8 of 7
Confidential					