


COVER PAGE




HUTCH EAGLE EYE SYSTEMS

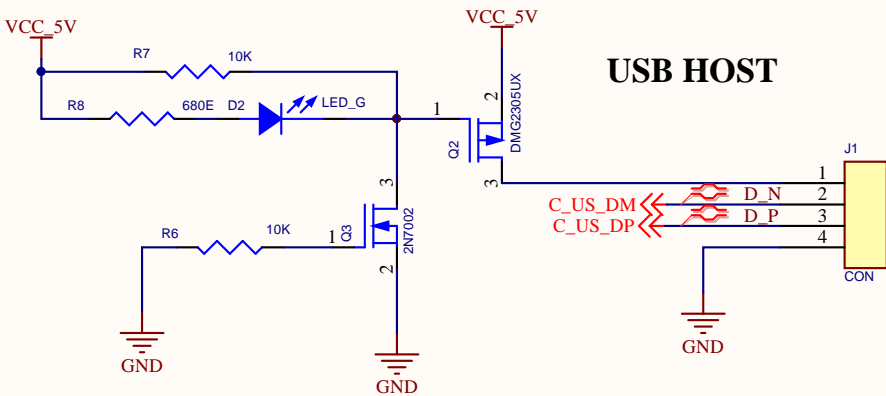
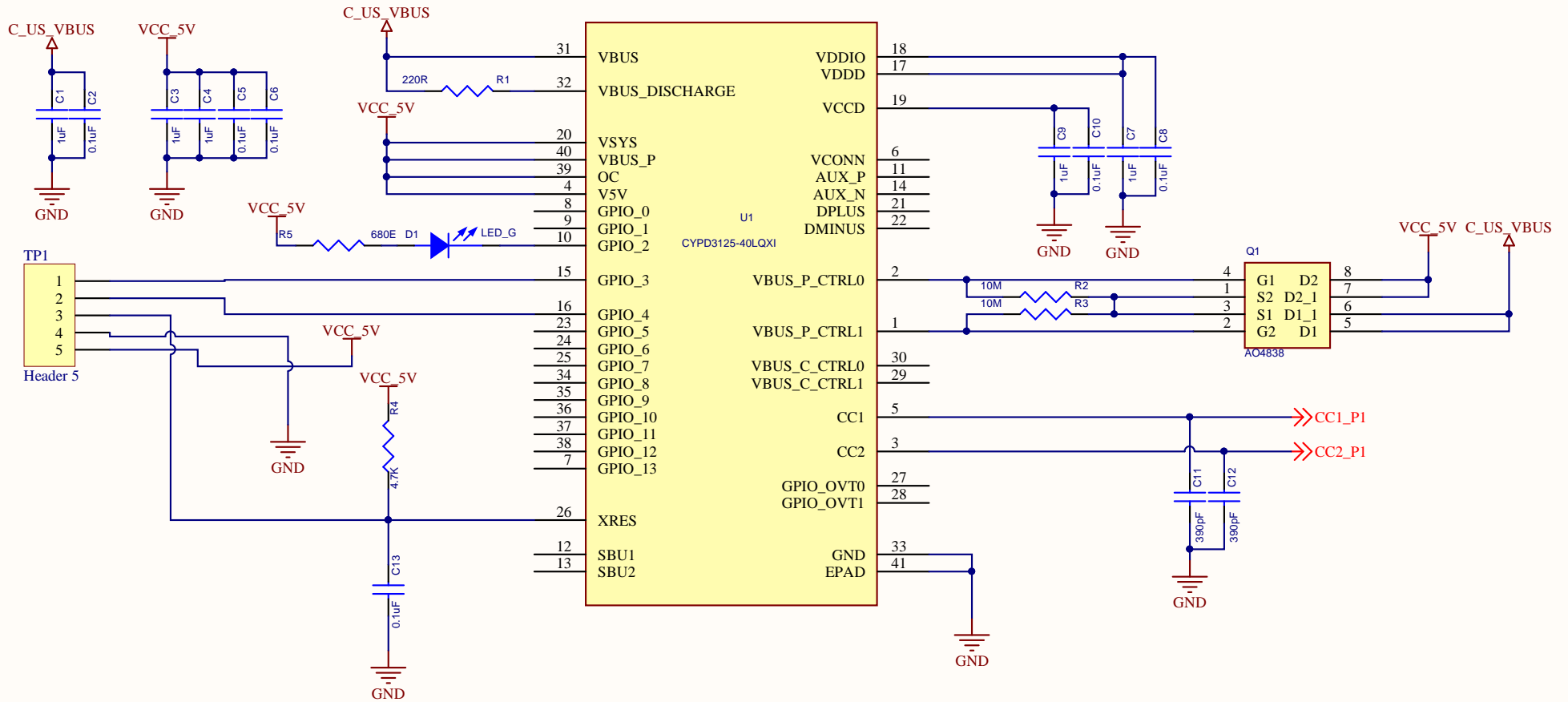
RioSH Technologies Pvt Ltd		<i>Document Prepared/Responsible</i> Srinivas		<i>Document Approved</i> Vishnu vardhan	
CIRCUIT DIAGRAM	<i>Company Logo</i> 	<i>Project Name</i> HEES <NO>		<i>Document Name</i> RIO_EXT_3036_HEES_DSN_0001_3V00	
		<i>Size</i> A	<i>Date:</i>	<i>Revision</i> 3V00	<i>Sheet</i> 1 of 5
Confidential					

CONTENT

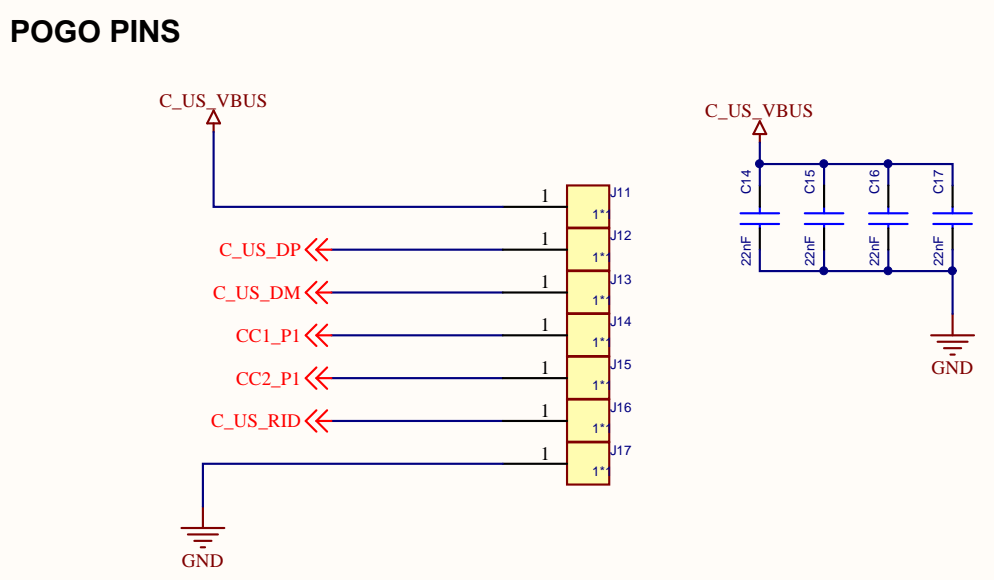
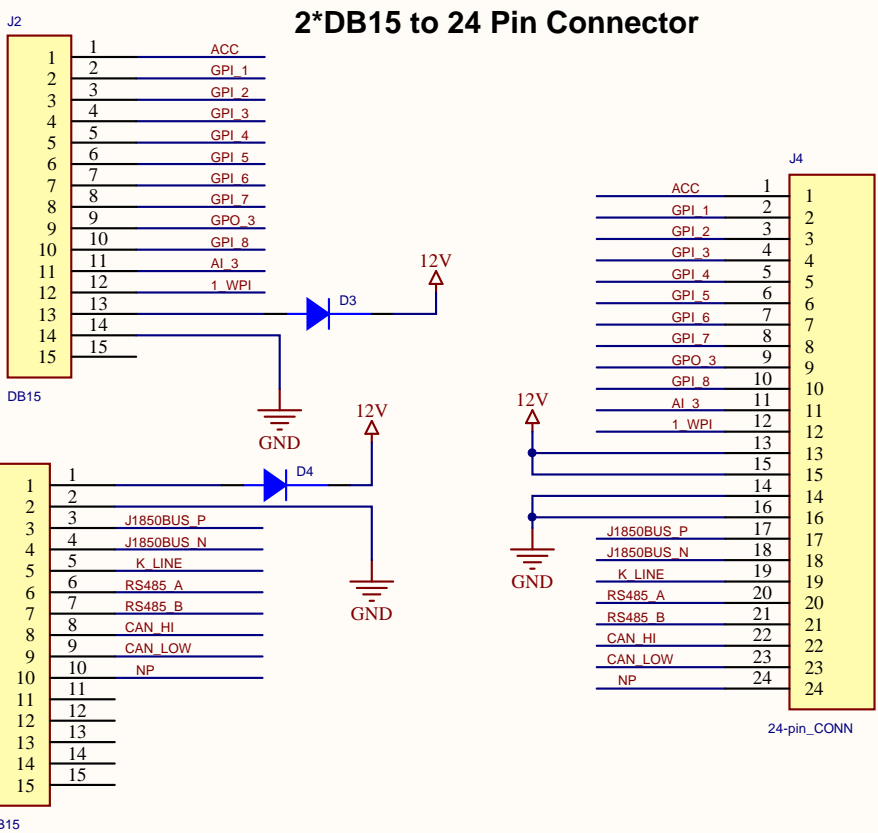
SL NO	CONTENT
1	COVER PAGE
2	CONTENT
3	USB TYPE C PD
4	CONNECTORS
5	POWER SUPPLY

RioSH Technologies Pvt Ltd		<i>Document Prepared/Responsible</i> Srinivas		<i>Document Approved</i> Vishnu vardhan	
CIRCUIT DIAGRAM	<i>Company Logo</i> 	<i>Project Name</i> HEES <NO>		<i>Document Name</i> RIO_EXT_3036_HEES_DSN_0001_3V00	
		<i>Size</i> A	<i>Date:</i>	<i>Revision</i> 3V00	<i>Sheet</i> 2 of 5
Confidential					

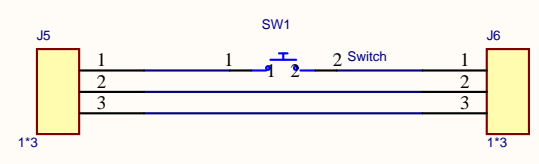
USB Type-C Port Controller



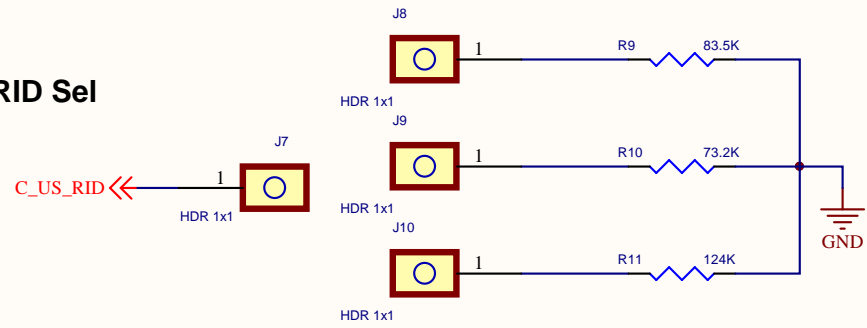
RioSH Technologies Pvt Ltd		Document Prepared/Responsible Srinivas		Document Approved Vishnu vardhan	
CIRCUIT DIAGRAM	Company Logo 	Project Name HEES <NO>		Document Name RIO_EXT_3036_HEES_DSN_0001_3V00	
		Size A	Date:	Revision 3V00	Sheet 3 of 5
Confidential					



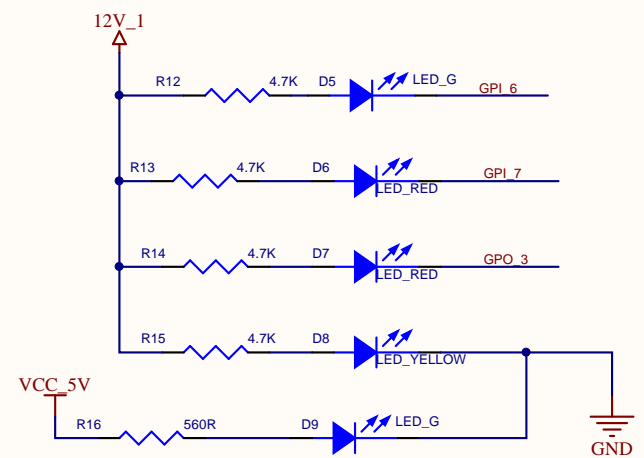
Battery Reset



RID Sel

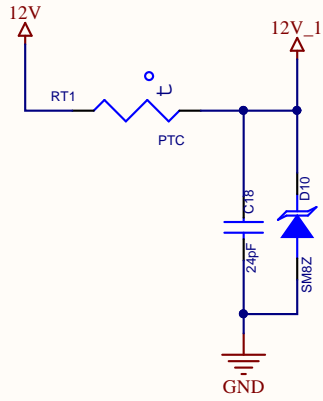


LED'S

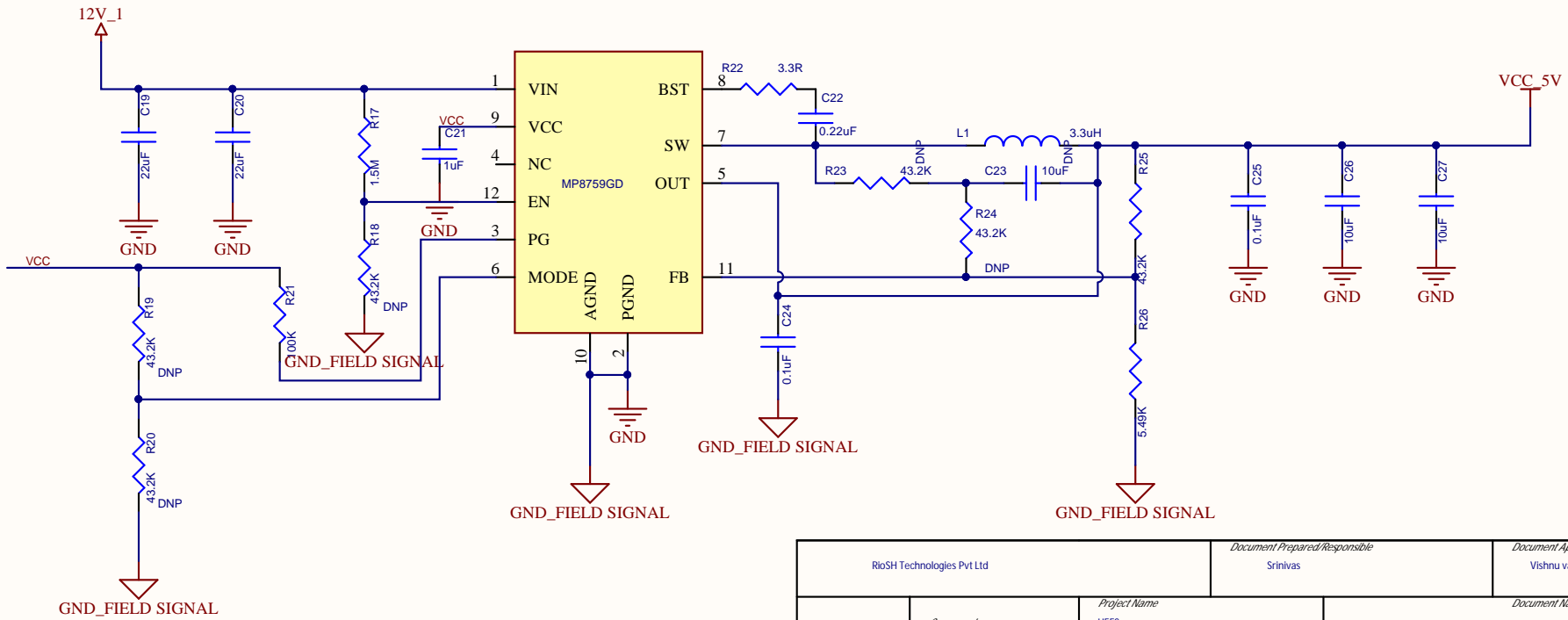



RioSH Technologies Pvt Ltd		Document Prepared/Responsible Srinivas		Document Approved Vishnu vardhan	
CIRCUIT DIAGRAM		Project Name HEES <NO>		Document Name RIO_EXT_3036_HEES_DSN_0001_3V00	
		Size A	Date:	Revision 3V00	Sheet 4 of 5
Confidential					

Circuit Protection



DC/DC Converter - 5V @ 6A



RioSH Technologies Pvt Ltd		Document Prepared/Responsible Srinivas		Document Approved Vishnu vardhan	
CIRCUIT DIAGRAM		Project Name HEES <NO>		Document Name RIO_EXT_3036_HEES_DSN_0001_3V00	
		Size A	Date:	Revision 3V00	Sheet 5 of 5
Confidential					

