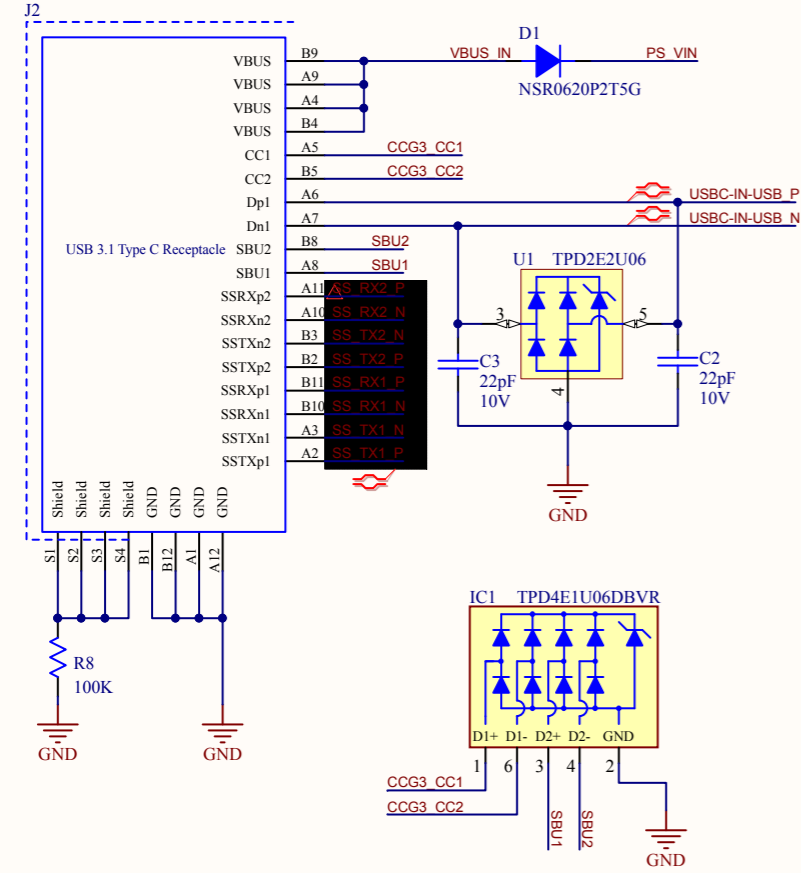
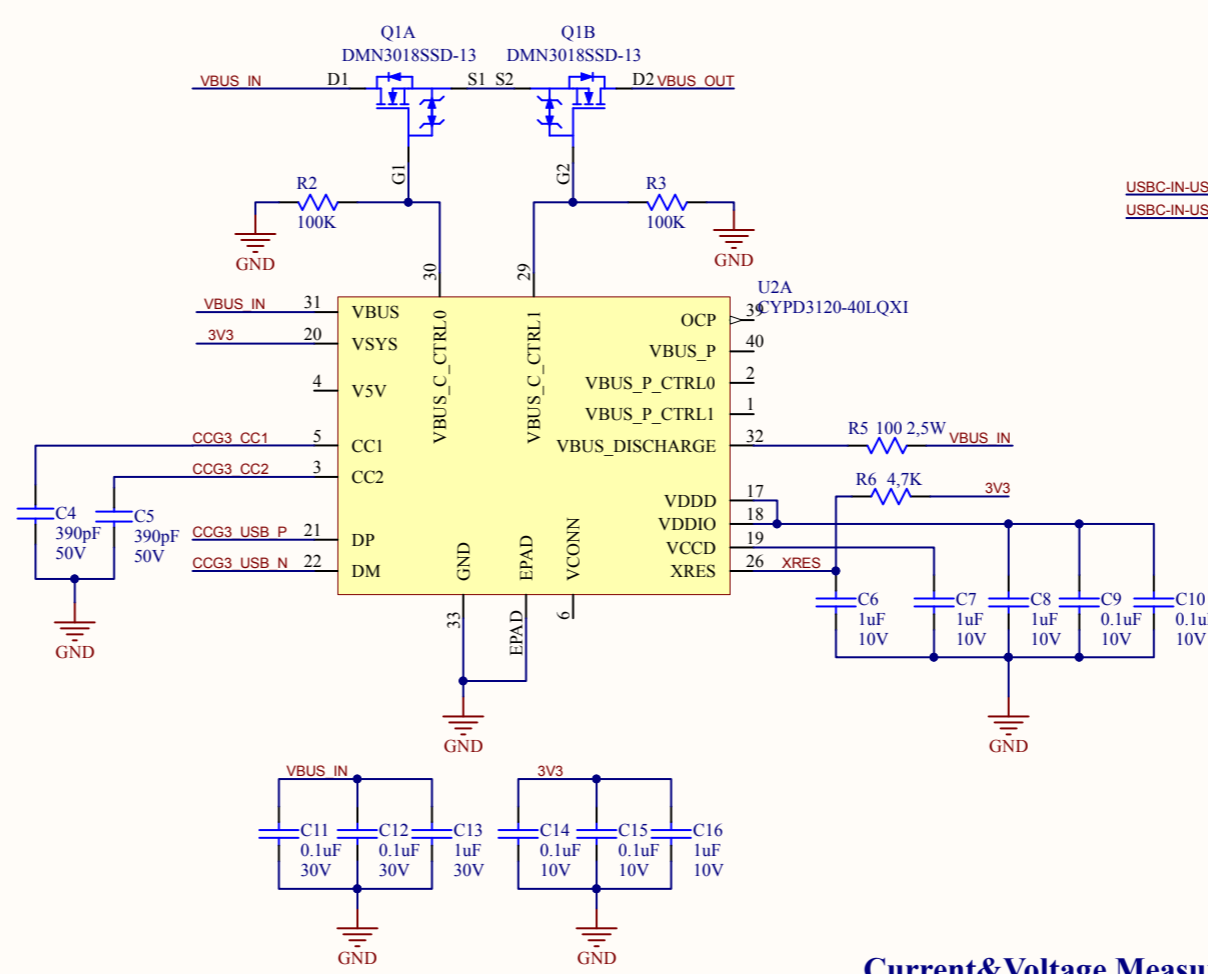


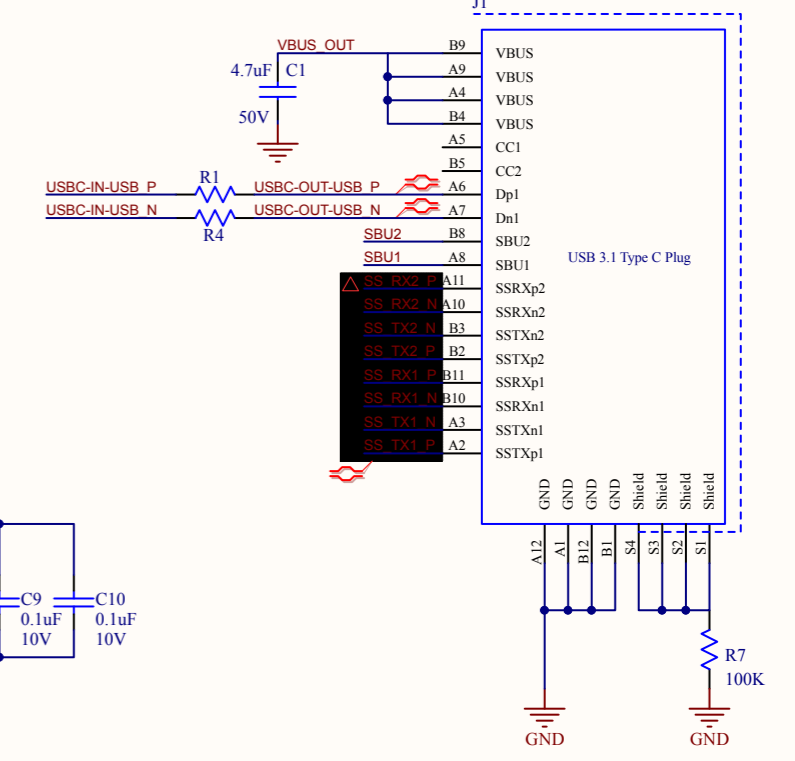
USB-C PD Power input



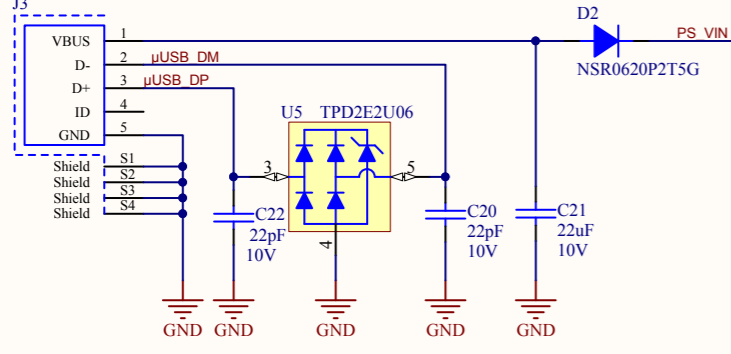
CCG3 Power



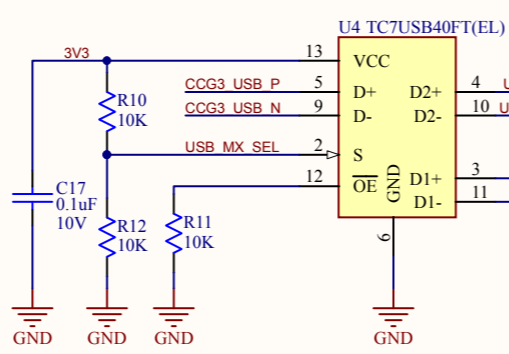
USB-C PD Power output



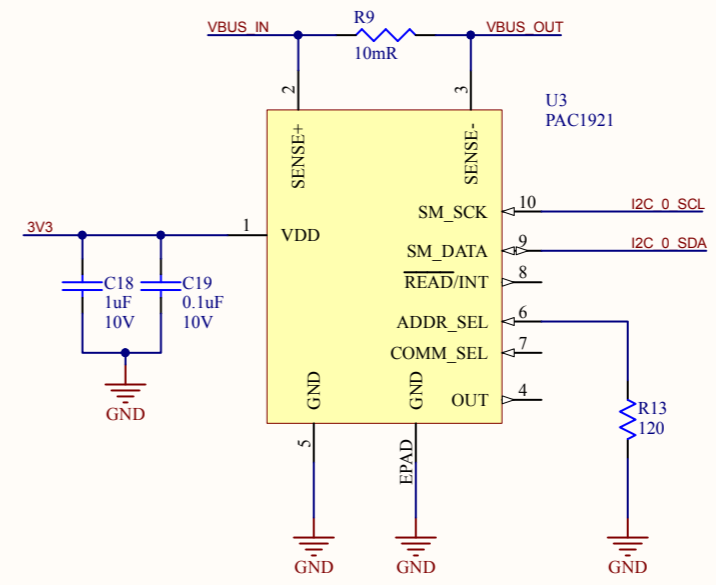
µUSB



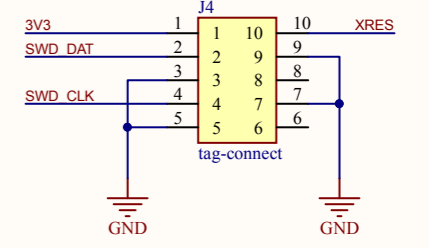
USB 2.0 MUX



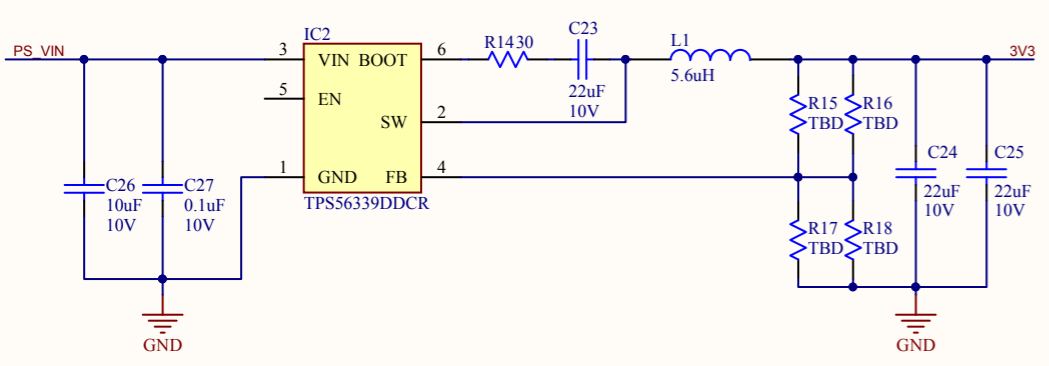
Current & Voltage Measurement



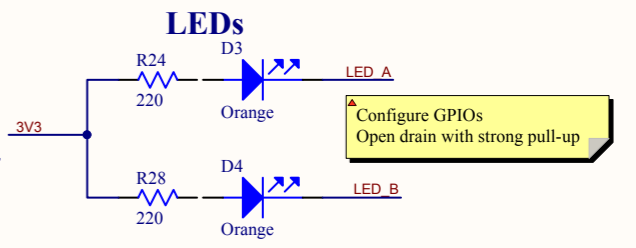
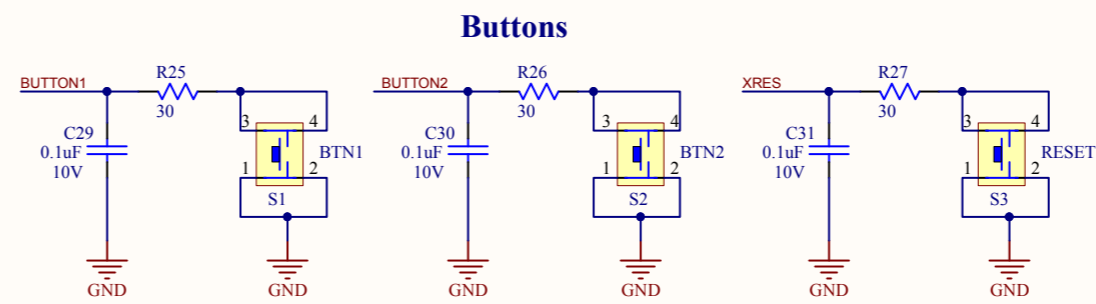
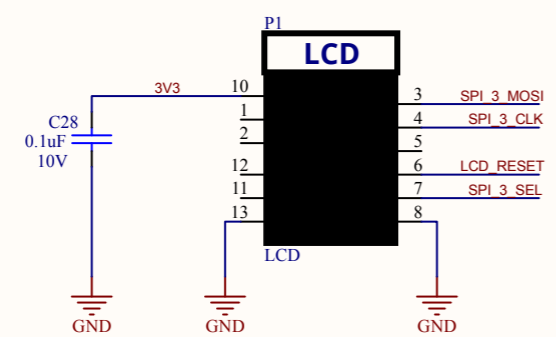
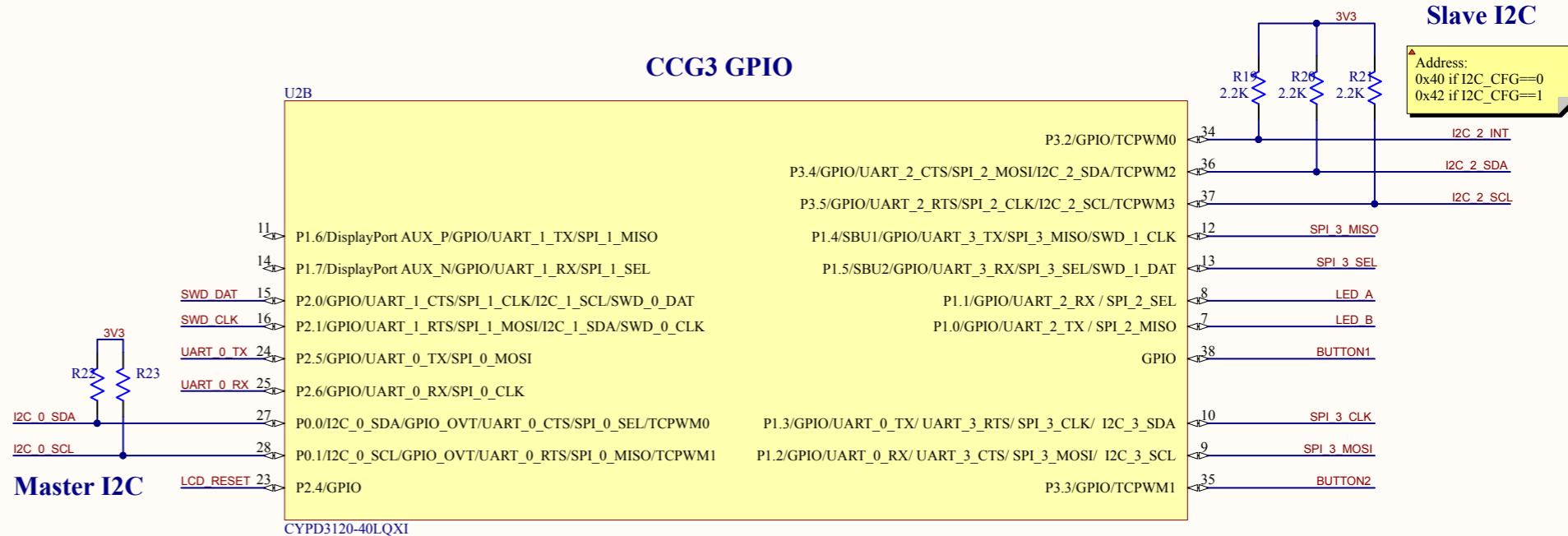
MiniProg3 SWD interface



3.3V Power Supply



Title		
Size	Number	Revision
A3		
Date:	18.02.2020	Sheet of
File:	F:\Projects\Cypress\CCG3-S1_SchDoc	Drawn By:



Title		
Size	Number	Revision
A3		
Date:	18.02.2020	Sheet of
File:	F:\Projects\Cypress\CCG3-S2.SchDoc	Drawn By: