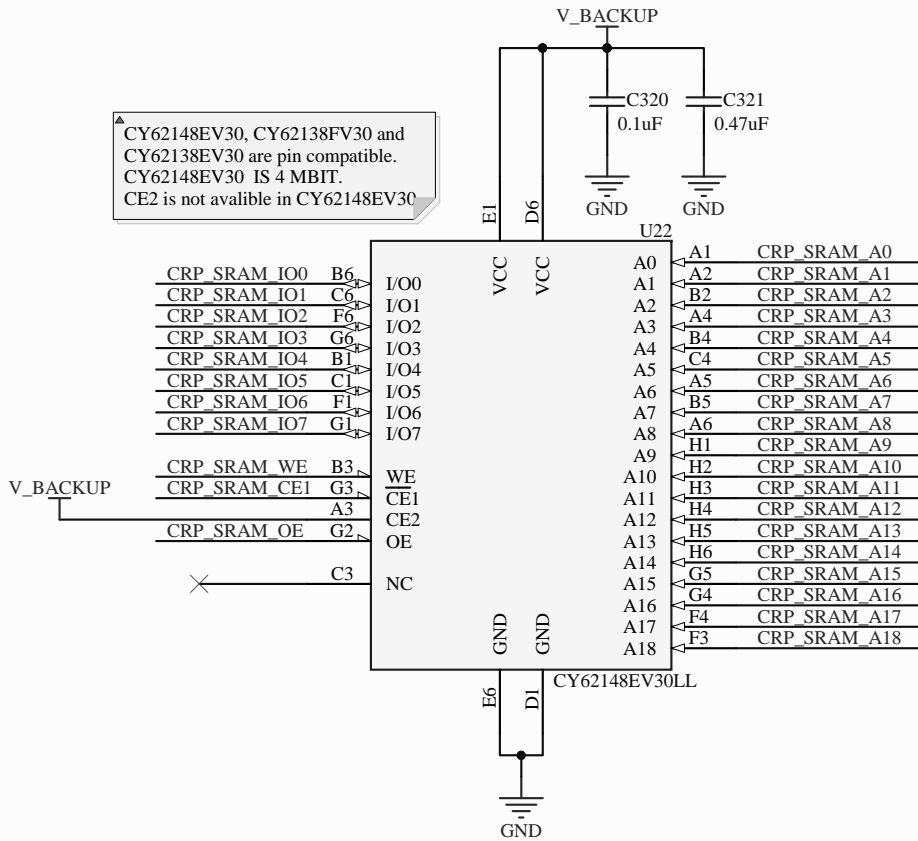


[x]FROM uCONTROLLER

- CRP SRAM IO[0..7]
- CRP SRAM A[0..18]
- CRP SRAM WE
- CRP SRAM CE1
- CRP SRAM OE

▲ CY62148EV30, CY62138FV30 and CY62138EV30 are pin compatible. CY62148EV30 IS 4 MBIT. CE2 is not available in CY62148EV30



Title		
Size	Number	Revision
A		
Date:	10/22/2013	Sheet of
File:	Sheet1.SchDoc	Drawn By: