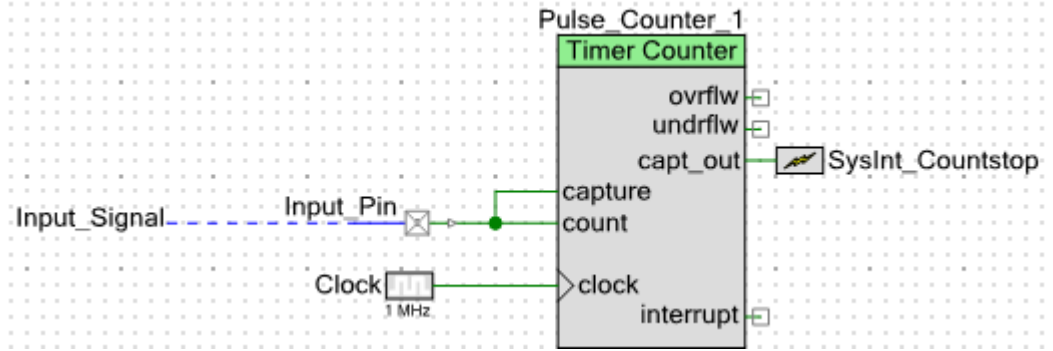


■ Top Design



■ Configure

Name: Pulse_Counter_1

Basic Inputs Built-in

General

Resolution	16-bits	▼	f(x)
Clock Prescaler	Divide by 1	▼	f(x)
Run Mode	Continuous	▼	f(x)
Count Direction	Up	▼	f(x)
Period	32768u		f(x)
Compare or Capture	Capture	▼	f(x)

Capture

Capture Input	Falling Edge	▼	f(x)
---------------	--------------	---	------

Interrupts

Interrupt Source	None	▼	f(x)
------------------	------	---	------

Name: Pulse_Counter_1

Basic **Inputs** Built-in

General

Reload Input	Disabled	▼	f(x)
Stop Input	Disabled	▼	f(x)
Start Input	Disabled	▼	f(x)
Count Input	Rising Edge	▼	f(x)