

承 认 书

Page 1/4

客户名称: Cypress Semi Conductor - USA

产品型号: CM Choke EE8.3(2+2)-hori, (rev-A)

日 期: 2008-11-22

※如蒙承认, 请予承认后签回一份, 谢谢!※

客户确认	
批 准	

深圳市高威实业有限公司

SHENZHEN GOLDENWAY INDUSTRY CO., LTD

ADD: 深圳市龙岗区横岗镇西坑一村一号厂房

Tel: 0755-89739332

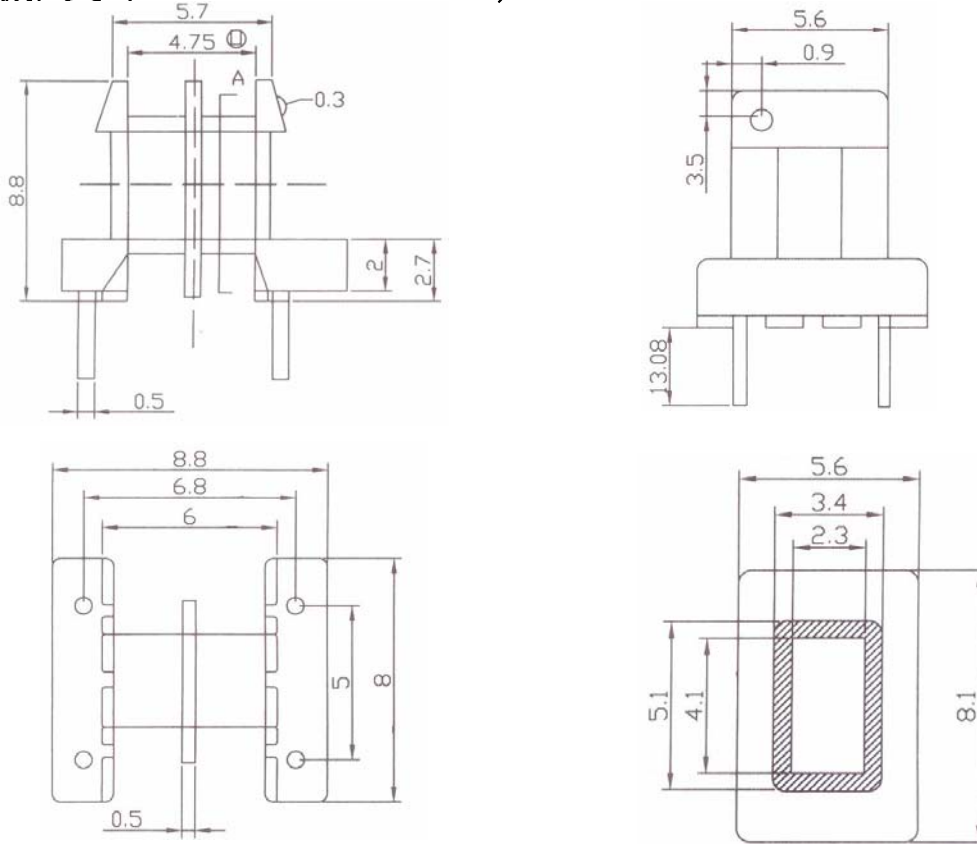
Fax: 0755-89739334

深圳市高威实业有限公司 承 认 书

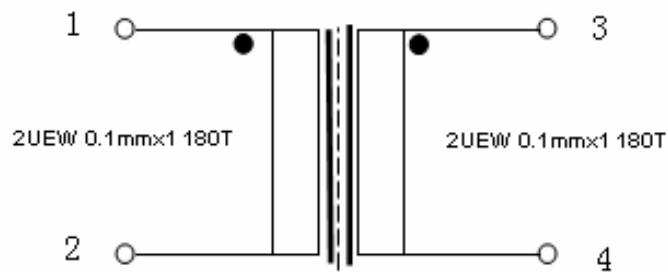
CUSTOMER		PART NO	EE8.3(2+2)卧式双槽
DESCRIPTION	TRANSFORMER	DATE	2008-11-22

1、机械尺寸(PHYSICAL DIMENSION):mm

Page 2/4



2.电气原理图(SCHEMATIC)



PREPARED BY	CHECKED BY	APPROVED BY
赵新岭	罗志刚	杜小波

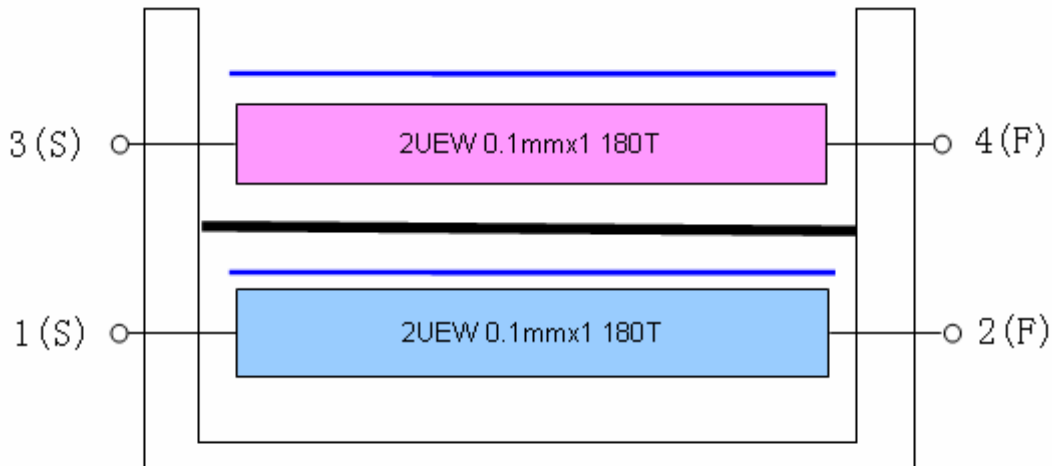
深圳市高威实业有限公司

承 认 书

CUSTOMER		PART NO	EE8.3(2+2)卧式双槽
DESCRIPTION	TRANSFORMER	DATE	2008-11-22

3. 结构图(WINDING SEQUENCE):

Page 3/4



4. 电参数: ELECTRICAL CHARACTERISTICS

4-1 电感: INDUCTANCE(AT F=10KHz 1Vrms 25±5°C)

$$L(1-2)=24\text{mH Min}$$

4-2 抗电强度: DIELECTRIC STRENGTH

AC 2.5 KV 50/60Hz 1 Min. Between Pri to Sec.

PREPARED BY	CHECKED BY	APPROVED BY
赵新岭	罗志刚	杜小波

深圳市高威实业有限公司

承 认 书

CUSTOMER		PART NO	EE8.3(2+2)卧式双槽
DESCRIPTION	TRANSFORMER	DATE	2008-11-22

5、材料表: MATERIAL LIST

Page 4/4

ITEM	DESCRIPTION	TRADE NAME	MANUFACTURE	ULFILE NO
1	FERRITE CORE	JR2KBF2	WUXI SPINEL MAGNETIC CO.LTD	
2	BOBBIN	T375J PHENOLIC	CHANG CHUN PLASTICS CO LTD.	E59481(S)
3	WIRE	UEW	SHENZHEN CITY DENGGAO ELECTROTECH CO LTD	E253843
		TIW-B	SHANGHAI LUCKY TRADE CO LTD	E305883
4	INSULATING TAPE	PZ	JINGJIANG YAHUA PRESSURE SENSITIVE GLUE CO LTD	E165111
5	VARNISH	8562/C	HANG CHEUNG PETROCHEMICAL LTD	E200154

PREPARED BY	CHECKED BY	APPROVED BY
赵新岭	罗志刚	杜小波