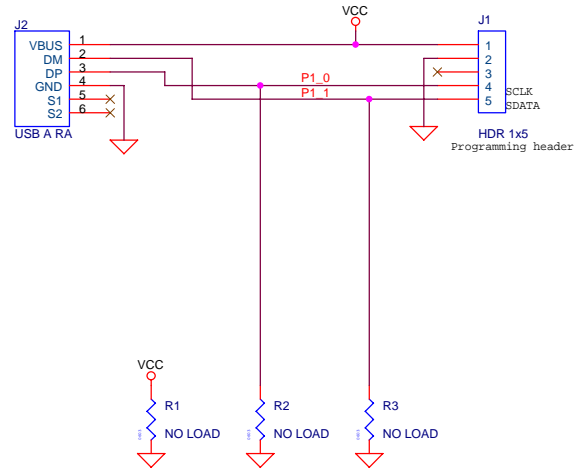


# 5-Pin to USB Programming Adapter

For use with MiniProg to  
allow Encore II devices to be  
programmed over the USB cable



PCB: PDC-9241 rev \*\*  
PCA: 121-24100 rev \*\*  
Schematic Reference: REF-13127

CYPRESS SEMICONDUCTOR © 2004		
Title enCoRe II 5-Pin to USB Programming Adapter		
Size B	Document Number enCore II 5-pin to USB Adapter	Rev 0.0
Date:	Tuesday, March 08, 2005	Sheet 1 of 1